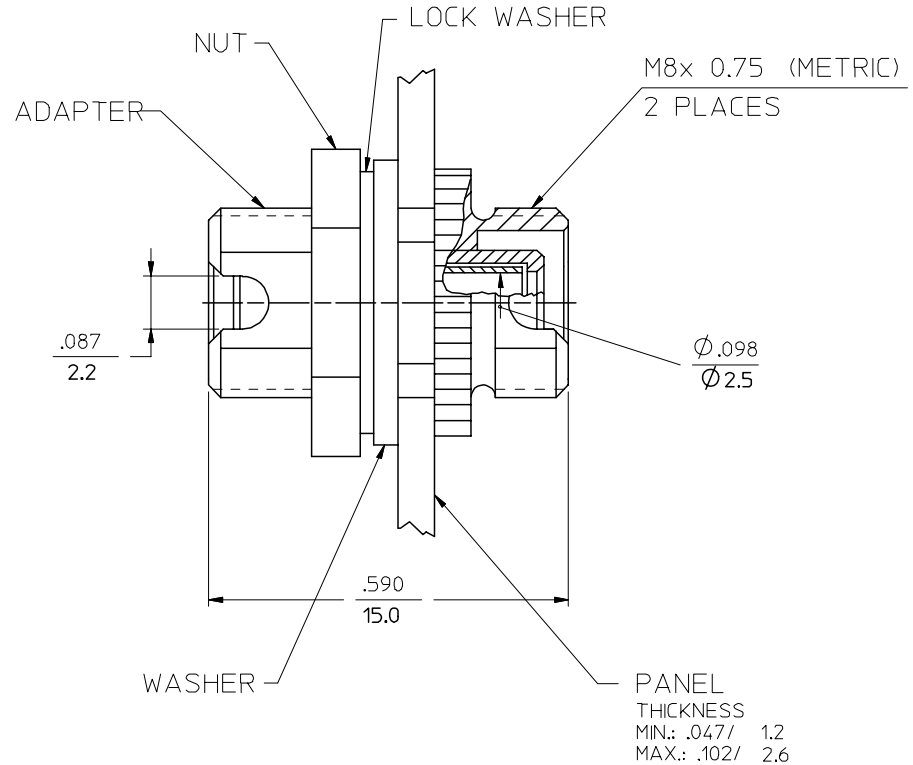
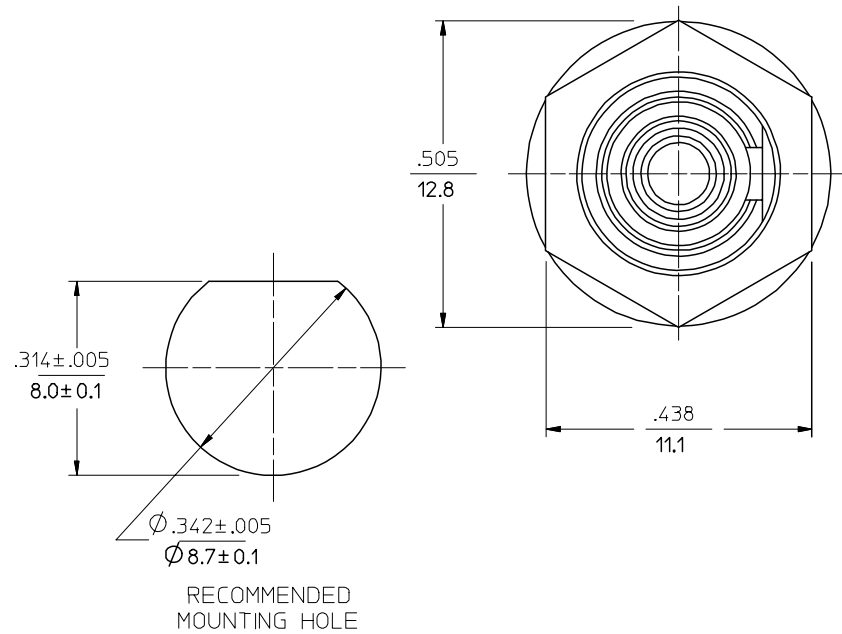


P/N OF ADAPTER	MATERIAL OF SLEEVE
106152-1000	CERAMIC
106156-1100*	
106156-1000	PHOSPHOR BRONZE



NOTES:

1. FOR THE USE OF WASHERS ACCORDING TO THE PANEL THICKNESS SEE FOLLOWING TABLE:

PANEL THICKNESS	USE WASHER
$\frac{.047}{1.2}$ TO $\frac{.060}{1.5}$	BOTH WASHERS
$\frac{.061}{1.55}$ TO $\frac{.085}{2.15}$	FLAT WASHER
$\frac{.086}{2.2}$ TO $\frac{.102}{2.6}$	LOCK WASHER

2. DUST CAPS ARE NOT SHOWN, BUT INCLUDED.  
 \*3. P/N 106152-1100 IS BULK PACKED IN QUANTITIES OF 100 PCS.

ENTER DESCRIPTION EC NO: MF2006-0424 B1 DRWNR/PACIFICI 2006/01/24 CHKD: 2006/01/24 APPR: IGUMIN 2006/01/24	QUALITY SYMBOLS ▽=0 ▽=0	GENERAL TOLERANCES (UNLESS SPECIFIED)		DIMENSION STYLE IN/MM	SCALE 5:1	DESIGN UNITS INCH	THIRD ANGLE PROJECTION
		4 PLACES ± --- ± ---	3 PLACES ± --- ± ---	DRAWN BY RPACIFICI	DATE 2005/12/22	TITLE FC ADAPTER (D-HOLE)	
REV	DESCRIPTION	2 PLACES ± --- ± ---	1 PLACE ± --- ± ---	CHECKED BY	DATE	APPROVED BY	
		ANGULAR ±1/2°		DATE		MATERIAL NO. SEE TABLE	
DRAFT WHERE APPLICABLE MUST REMAIN WITHIN DIMENSIONS		MATERIAL NO. SEE TABLE		DOCUMENT NO. SD-10615X-1000		SHEET NO. 1 OF 01	
THIS DRAWING CONTAINS INFORMATION THAT IS PROPRIETARY TO MOLEX INCORPORATED AND SHOULD NOT BE USED WITHOUT WRITTEN PERMISSION							