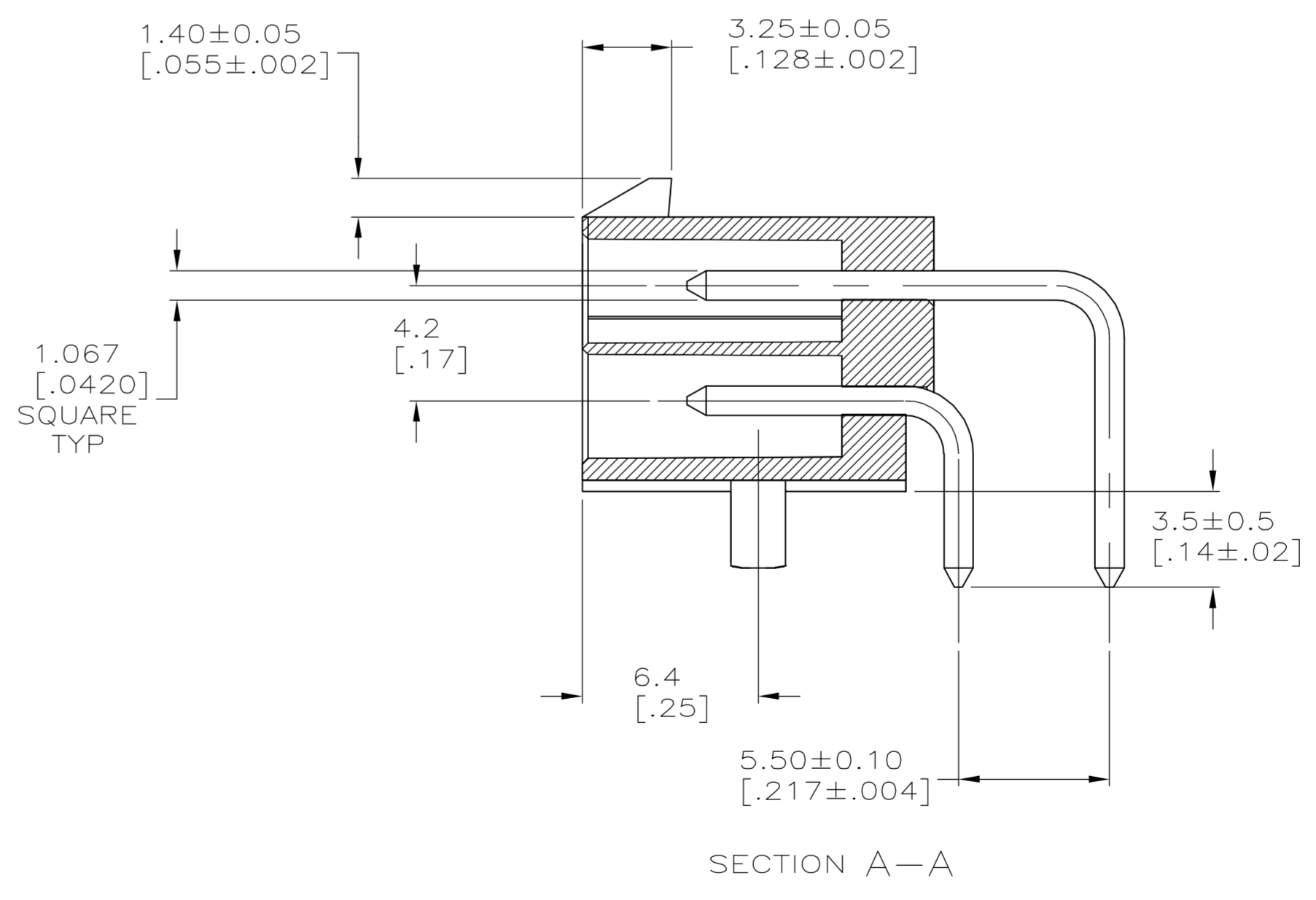
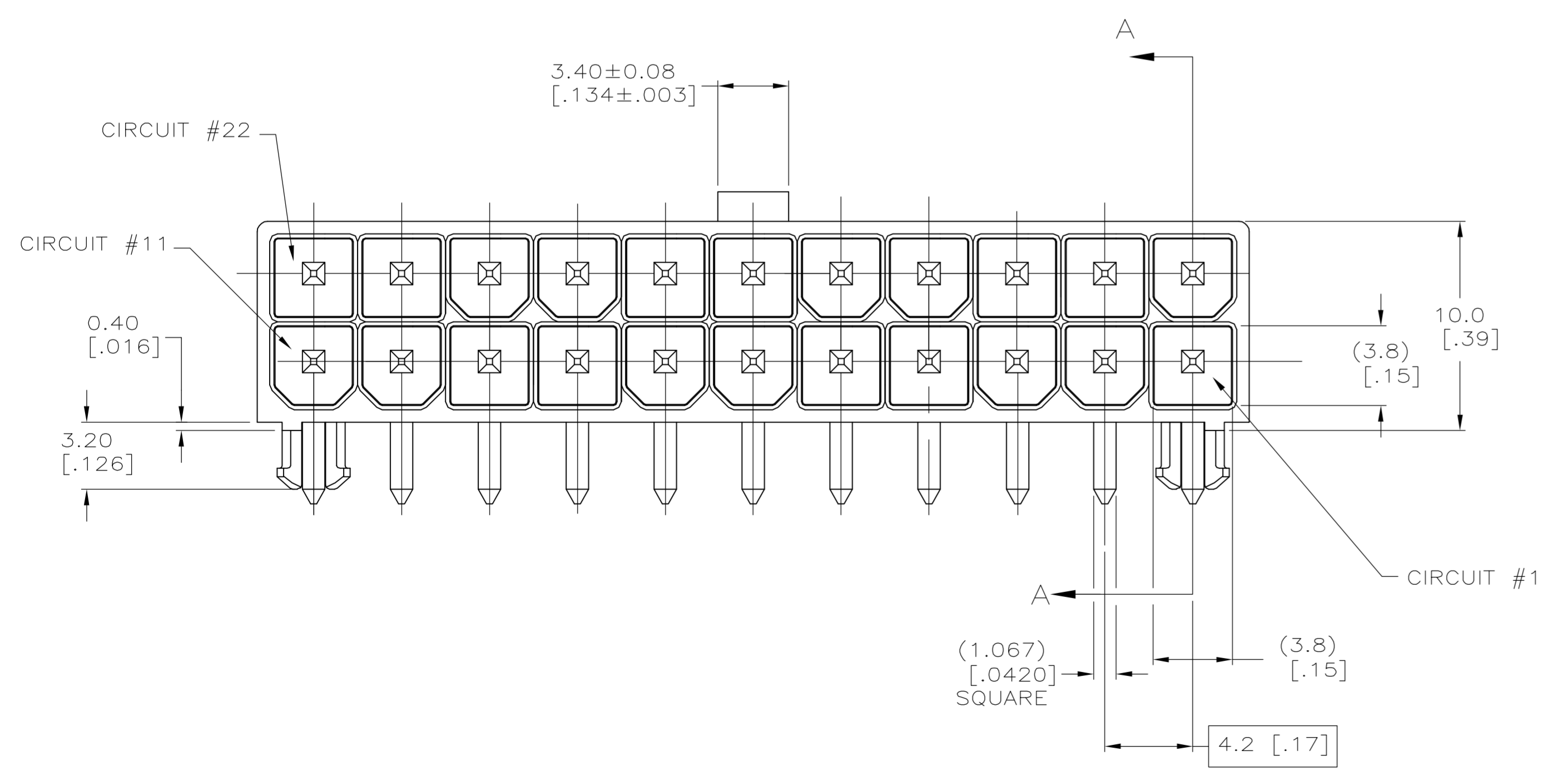
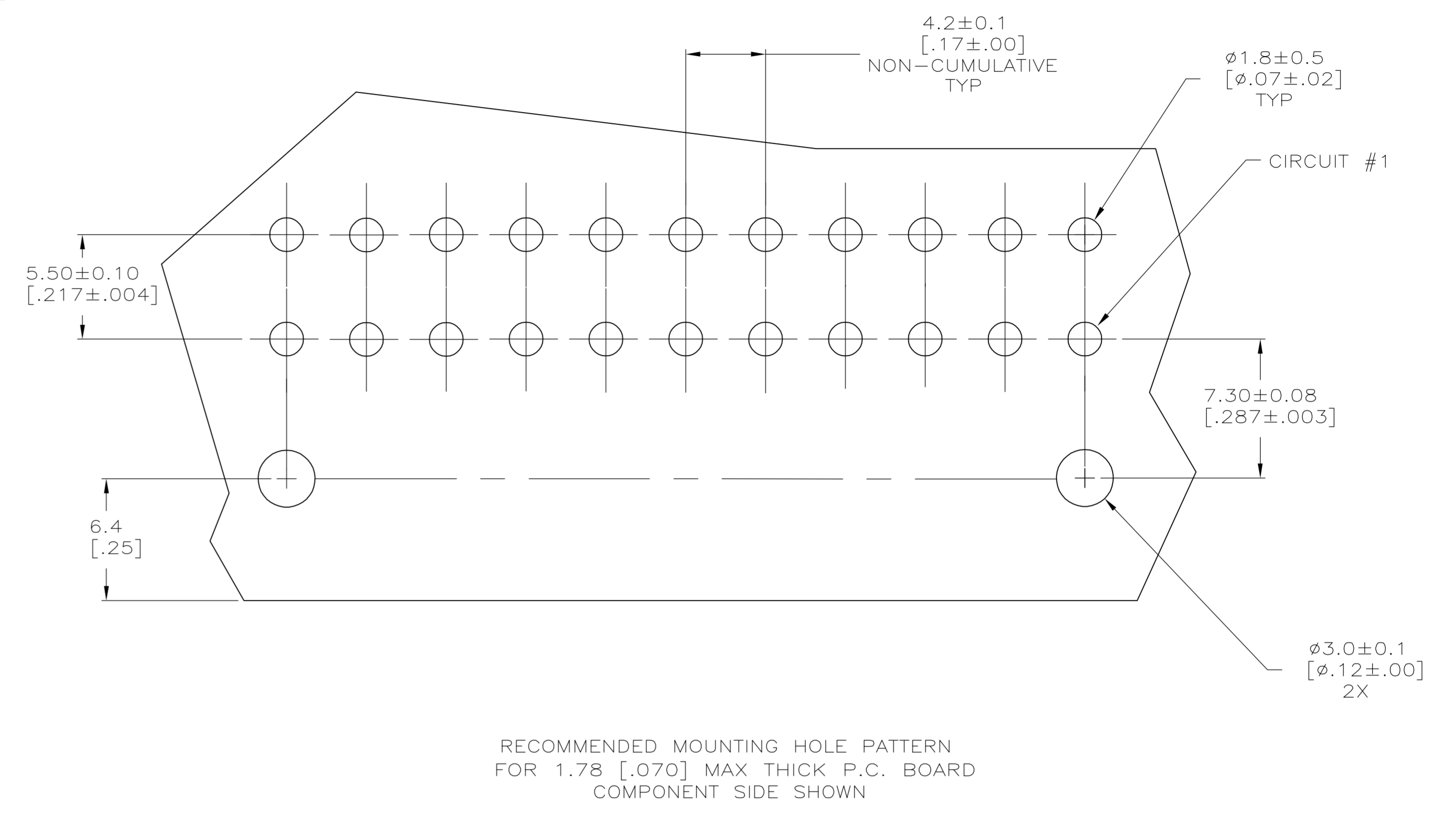
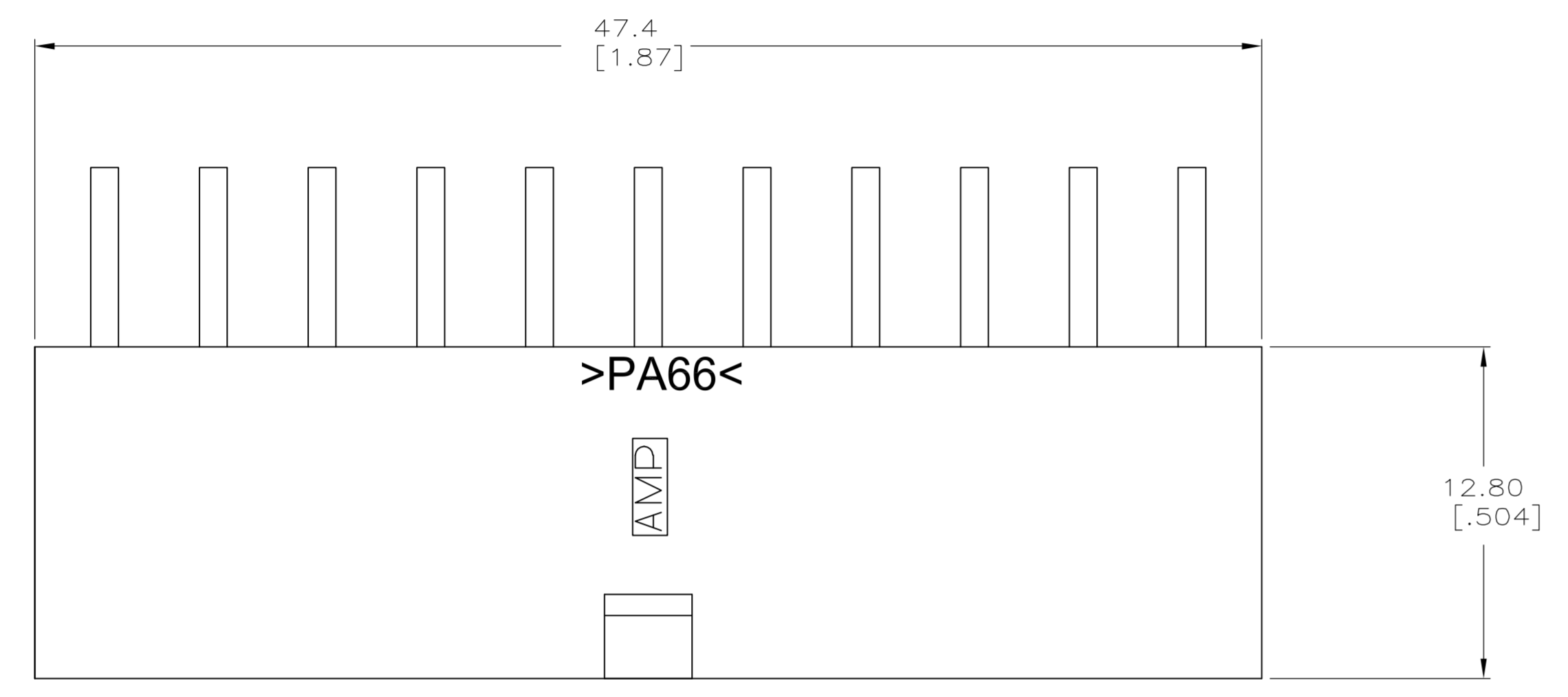


- 1 MATERIAL: HOUSING - NYLON, UL94V-2 (COLOR - NATURAL)
 PIN - 1.067mm² [.0017in²] COPPER ALLOY.
- 2 PINS TO COMPLY WITH SOLDERABILITY SPEC 109-11-3.
- 3 0.00381 [.000150] MINIMUM TIN LEAD OVER 0.00127 [.000050] MINIMUM NICKEL, ENTIRE LENGTH OF PIN.
- 4 NOTE DELETED.
- 5 0.00381 [.000150] MINIMUM TIN OVER 0.00127 [.000050] MINIMUM NICKEL, ENTIRE LENGTH OF PIN.



SUPERSEDED BY 1-794515-1

| | | | | |
|----------|---|---------|---|------------|
| 1 | 2 | 3 | 4 | 1-794515-1 |
| 1 | 3 | 1 | 1 | 794515-1 |
| MATERIAL | | FINISH | | ASSEMBLY |
| PIN | | HOUSING | | |

METRIC

THIS DRAWING IS A CONTROLLED DOCUMENT.

| | | | |
|--------------------|---|---------------------------|---|
| DIMENSIONS: | TOLERANCES UNLESS OTHERWISE SPECIFIED: | DWN S. HOOVER 02-MAR-2005 | tyco Tyco Electronics Corporation Harrisburg, Pa 17105-3608 |
| mm [INCHES] | 0 PLC ± .02 [0.1] 1 PLC ± .02 [0.1] 2 PLC ± .013 [0.05] 3 PLC ± .013 [0.05] 4 PLC ± .013 [0.05] ANGLES: ± 0° 30' | CHK D. COLEY 02-MAR-2005 | NAME |
| MATERIAL SEE CHART | FINISH SEE CHART | APVD D. COLEY 02-MAR-2005 | PRODUCT SPEC |
| | | 108-1646 | |
| | | APPLICATION SPEC | |
| | | 114-6067 | |
| | | SIZE | CAGE CODE DRAWING NO |
| | | WEIGHT | A1 00779 ©=794515 |
| | | CUSTOMER DRAWING | |
| | | SCALE | 5:1 |
| | | SHEET | 1 OF 1 |
| | | REV | D |

Mouser Electronics

Authorized Distributor

Click to View Pricing, Inventory, Delivery & Lifecycle Information:

[TE Connectivity:](#)

[1-794515-1](#)