


SACC-DSI-M5FS-4CON-L180

Order No.: 1530650

<http://eshop.phoenixcontact.de/phoenix/treeViewClick.do?UID=1530650>Sensor/actuator flush-type socket, 4-pos., M5, prewall/screw
mounting, with straight solder connection**Commercial data**

GTIN (EAN)	 4 046356 024457
sales group	D125
Pack	20 pcs.
Customs tariff	85366990
Catalog page information	Page 38 (PC-2011)

Product notesWEEE/RoHS-compliant since:
11/23/2005

<http://www.download.phoenixcontact.com>
Please note that the data given here has been taken from the online catalog. For comprehensive information and data, please refer to the user documentation. The General Terms and Conditions of Use apply to Internet downloads.

Technical data**General data**

Rated current at 40°C	1 A
Rated voltage	60 V
Number of positions	4
Volume resistance	≤ 3 mΩ
Insulation resistance	≥ 100 MΩ

Ambient temperature (operation)	-25 °C ... 85 °C
---------------------------------	------------------

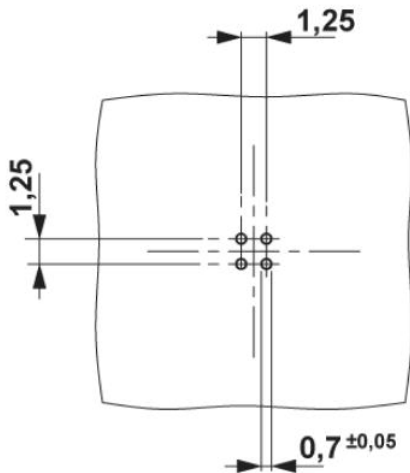
General characteristics

Standards/regulations	M5 connector IEC 61076-2-105
Surge voltage category	II
Pollution degree	3
Degree of protection	IP67
Contact material	CuSn
Contact surface material	Au
Contact carrier material	PA 66
Material, knurls	Nickel-plated brass
Sealing material	Viton
Mounting type	Rear mounting M5 x 0.5 With locking nut
Connection method	Solder pins
Status display	No
Test voltage	800 V

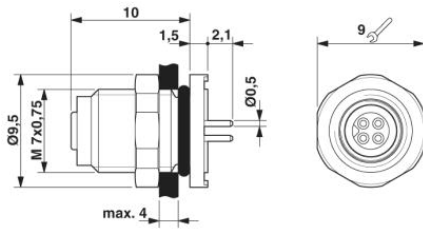
Diagrams/Drawings

Drilling plan/solder pad geometry

M5 flush-type socket

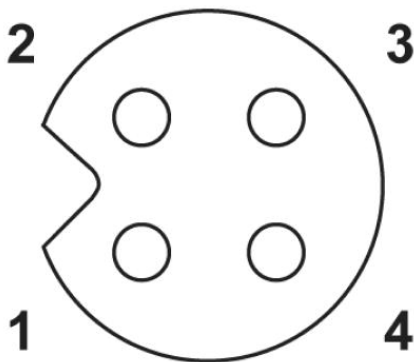


Dimensioned drawing



M5 flush-type socket

Schematic diagram



Pin assignment M5 socket, 4-pos., D-coded, view female side

Address

PHOENIX CONTACT Inc., USA
586 Fulling Mill Road
Middletown, PA 17057, USA
Phone (800) 888-7388
Fax (717) 944-1625
<http://www.phoenixcon.com>



© 2011 Phoenix Contact
Technical modifications reserved;