


Metal dust protection cap - RC-Z2062 - 1604228

Please be informed that the data shown in this PDF Document is generated from our Online Catalog. Please find the complete data in the user's documentation. Our General Terms of Use for Downloads are valid (<http://phoenixcontact.com/download>)

Metal dust protection cap with steel wire for signal connectors with M23 knurled nuts



Key Commercial Data

Packing unit	10 STK
Minimum order quantity	10 STK
GTIN	 4 046356 248174
GTIN	4046356248174

Technical data

General

Type of locking	M23
-----------------	-----

Ambient conditions

Degree of protection	IP67
----------------------	------

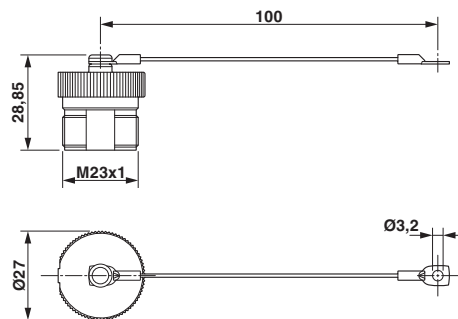
Environmental Product Compliance

China RoHS	Environmentally Friendly Use Period = 50
	For details about hazardous substances go to tab "Downloads", Category "Manufacturer's declaration"

Drawings

Metal dust protection cap - RC-Z2062 - 1604228

Dimensional drawing



Phoenix Contact 2017 © - all rights reserved
<http://www.phoenixcontact.com>

PHOENIX CONTACT GmbH & Co. KG
Flachsmarktstr. 8
32825 Blomberg
Germany
Tel. +49 5235 300
Fax +49 5235 3 41200
<http://www.phoenixcontact.com>