

## RC-19S1N12ZL00 - 1602959

Please be informed that the data shown in this PDF Document is generated from our Online Catalog. Please find the complete data in the user's documentation. Our General Terms of Use for Downloads are valid (<http://phoenixcontact.com/download>)

Cable connector, with Pg13.5 connection thread, angled, shielded: No, Screw locking, M23, Number of positions: 16+3, Type of contact: Socket, Solder connection, Cable diameter: 9 mm ... 13 mm



### Key Commercial Data

Packing unit	1 pc
Weight per Piece (excluding packing)	155.3 g
Custom tariff number	85366990
Country of origin	Germany

### Technical data

#### Data of the insulating body

Coding	N
Insertion/withdrawal cycles mechanical	50
Contact connection method	Solder connection
Type of contacts	Socket
Number of positions	19
Contact diameter of power contacts	1.5 mm
Litz wire cross section of power contacts min.	0.08 mm <sup>2</sup>
Litz wire cross section of power contacts max.	1 mm <sup>2</sup>
Nominal current per power contact at 25°C	10 A
Nominal voltage, power contact	150 V
Contact diameter of signal contacts	1 mm
Litz wire cross section of signal contacts min.	0.08 mm <sup>2</sup>
Litz wire cross section of signal contacts max.	1 mm <sup>2</sup>
Nominal current per signal contact at 25°C	8 A
Nominal voltage, signal contact	150 V
Overvoltage category	II
Degree of pollution	3

#### Housing data

Housing material	Metal
Type of locking	Screw locking

# RC-19S1N12ZL00 - 1602959

## Technical data

### Housing data

Degree of protection (when plugged in)	IP65
	IP67
Thread type	M23

### Cable seal data

Min. cable diameter	9 mm
Max. cable diameter	13 mm

## Classifications

### eCl@ss

eCl@ss 4.0	272607xx
eCl@ss 4.1	27260701
eCl@ss 5.0	27260701
eCl@ss 5.1	27260701
eCl@ss 6.0	27260708
eCl@ss 7.0	27440312
eCl@ss 8.0	27440102

### ETIM

ETIM 3.0	EC001121
ETIM 4.0	EC001121
ETIM 5.0	EC002641

### UNSPSC

UNSPSC 6.01	43172015
UNSPSC 7.0901	43201404
UNSPSC 11	43172015
UNSPSC 12.01	43201404
UNSPSC 13.2	43201404

## Approvals

### Approvals

---

Approvals

EAC

---

# RC-19S1N12ZL00 - 1602959

## Approvals

Ex Approvals

---

Approvals submitted

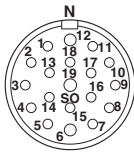
---

## Approval details

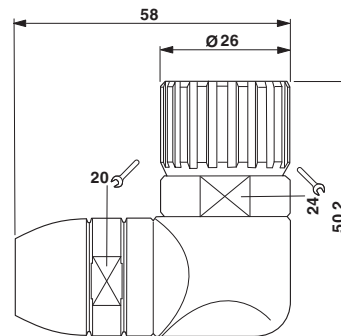
EAC

## Drawings

Schematic diagram



Dimensional drawing



# Mouser Electronics

Authorized Distributor

Click to View Pricing, Inventory, Delivery & Lifecycle Information:

[Phoenix Contact:](#)

[1602959](#)