

Protective covers - VS-PPC-C2-PC67-POBK - 1404058

Please be informed that the data shown in this PDF Document is generated from our Online Catalog. Please find the complete data in the user's documentation. Our General Terms of Use for Downloads are valid (<http://phoenixcontact.com/download>)



Protective cover, IP67, plastic version, to cover the contact insert in the Power push-pull panel mounting frame



Key commercial data

Packing unit	1 pc
GTIN	 4 046356 285445
Weight per Piece (excluding packing)	32.2 g
Custom tariff number	85389099
Country of origin	Germany

Technical data

Mechanical characteristics

Locking type	Push Pull
Insertion/withdrawal cycles	≥ 500
Color	black

Ambient conditions

Ambient temperature (operation)	-40 °C ... 70 °C
Degree of protection	IP65/IP67

Material data

Inflammability class according to UL 94	V0
Housing material	PA-GF
Material	Plastic
O-ring material	NBR
Material housing intermediate seal	NBR

Protective covers - VS-PPC-C2-PC67-POBK - 1404058

Classifications

eCl@ss

eCl@ss 4.0	272607xx
eCl@ss 4.1	27260701
eCl@ss 5.0	27260701
eCl@ss 5.1	27260701
eCl@ss 6.0	27261210
eCl@ss 7.0	27440208

ETIM

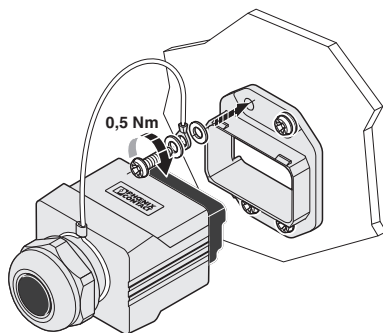
ETIM 3.0	EC002314
ETIM 4.0	EC002314
ETIM 5.0	EC002314

UNSPSC

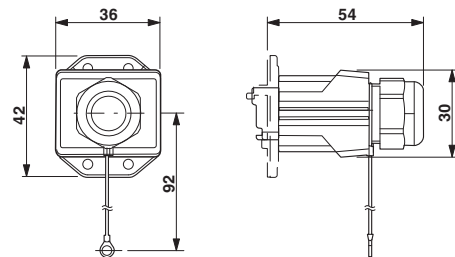
UNSPSC 6.01	31261501
UNSPSC 7.0901	31261501
UNSPSC 11	31261501
UNSPSC 12.01	31261501
UNSPSC 13.2	31261501

Drawings

Explosion drawing



Dimensioned drawing



Protective cover for the Push-Pull panel mounting frame

Mounting the protective cover