

# TERMINALS FOR INITIATORS & ACTUATORS TERMINALS FOR INITIATORS & ACTUATORS



ZIK·ZAK ZIK·ZAK ZIK·ZAK ZIK·ZAK ZIK·ZA  
ZIK·ZAK  
**ZIK·ZAK**

## PRODUCT INFORMATION

When good enough just isn't good enough

**Weidmüller** 

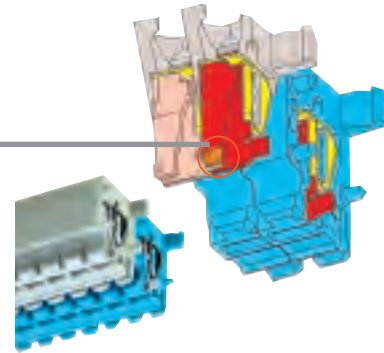
# ZVL 1.5

## The heart of the modular terminal

### The integrated cross-connection

Integrated cross-connections in each individual element are unique to this snap-connect terminal;

On the one side there is the socket contact and on the other the pins. They reliably connect together when the elements are clipped together. So there is no need for time-consuming assembly of cross-connections. The modular stripwise construction lets you build distribution strips of almost unlimited length.



### Tension clamp from the Z series

Front wiring

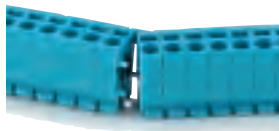
- best access and unrestricted view
- low pressure required to move the spring
- maintenance-free



### Easy to assemble

- easy to clip together and to dismantle
- variable number of connections
- assembly errors are a thing of the past

simply click together . . .

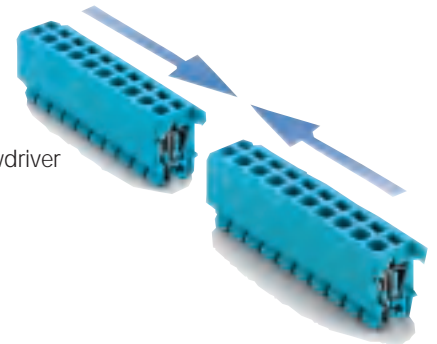


. . . by hand

easy to dismantle . . .



. . . or using a screwdriver

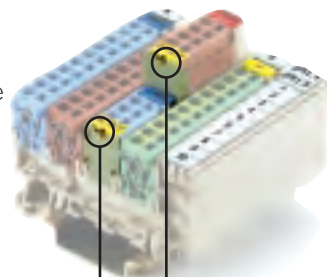


# ZPV 1.5

## The potential distribution system

### Easy, money-saving installation

- ZPV 1.5 is modular. You decide on site the number of connections you need.
- The blocks can be modified in seconds
- ZPV 1.5 with 4 elements bays is the basis of the system
- No electrical connection between the individual rows
- ZPV 1.5 fits into the smallest enclosure



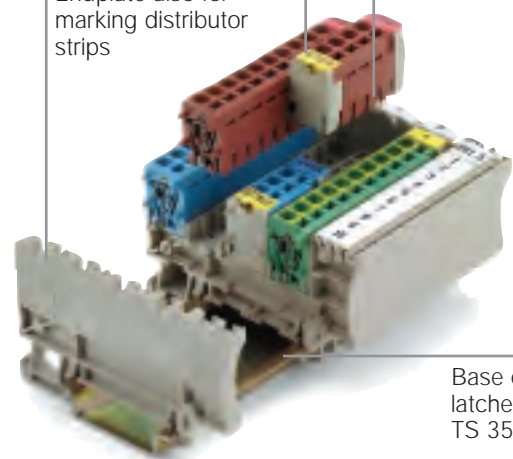
BZT 1.5 ZA with lugs

BZT 1.5 o.ZA without lugs

Marker carrier

Cross-connections already integrated

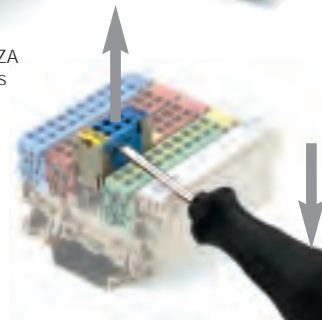
Endplate also for marking distributor strips



Base elements latches onto a TS 35 rail

### Comfortable marking and partitioning

- Markers go directly onto the base element or on marker carriers.
- Marker carriers with and without lugs.
- Easy to read marking by rows possible
- Electrical separation along a row using marker carriers.



### Easy to dismantle

Levering off the distribution strip with a screwdriver releases the latch.

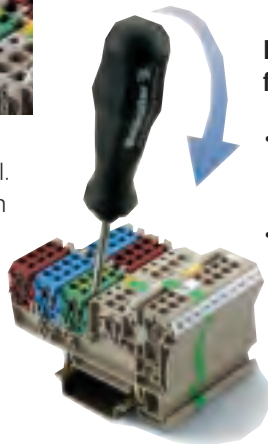
# ZIK•ZAK

The modular solution ...

## Easy to assemble and quick to dismantle



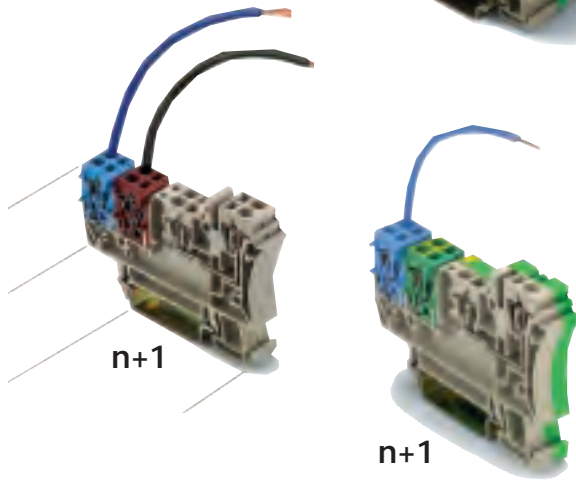
- The ZVL 1.5 distributor strips are simply latched into the base element – that's all.
- Unbelievably easy to dismantled, even in wired-up state – just lever out the distributor strip with a screwdriver.



## The ZIK•ZAK module system brings benefits long overdue

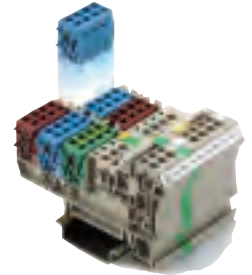
### Easy feed for initiators ...

- Potential is fed through 1 additional standard base element =>  $n + 1$  base element or distributor elements ( $n$  = number of initiators)
- Automatic distribution of plus and minus via the built-in cross-connection in the distributor strips

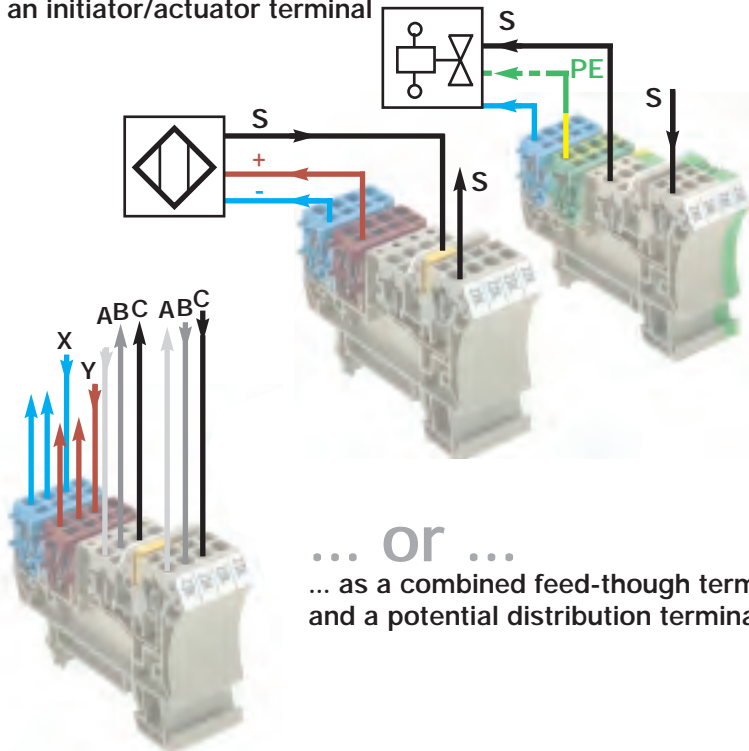


### ... and actuators

- Potential is fed through 1 additional PE base element =>  $n + 1$  base element or distributor elements ( $n$  = number of actuators)
- Automatic distribution of plus and minus via the built-in cross-connection in the distributor strips
- The PE base element is put at the left-hand side of the terminal block for construction reasons.
- Only 1 PE base element is needed

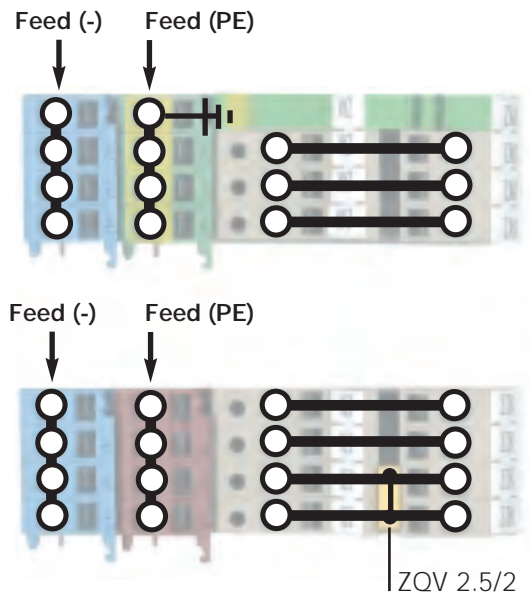


## The modular solution as ... an initiator/actuator terminal



... or ...

... as a combined feed-through terminal (A, B, C) and a potential distribution terminal (X, Y) ...



?

... or ...

The ZIK•ZAK modular distribution system takes you to a new world of perfect wiring.

# ZPV 1.5 Variable-pole potential distributors

## ZPV 1.5 Terminal base



## ZVL 1.5 Distributor strips



### Dimensions/Approvals

Width/length/height (mm) with TS 35 x 7.5 

Width/length/height (mm)

Insulation stripping length/clamping screw/bit size

### Rated data VDE 0611 Part 1/8.92 / IEC 60 947-7-1

Rated voltage/current/cross-section

Rated peak voltage/contamination level

### Further technical data

Clampable conductor mm<sup>2</sup>

Solid H07V-U mm<sup>2</sup>

Stranded H07V-R mm<sup>2</sup>

Flexible H07V-K and ferrule according to DIN 46 228/1 mm<sup>2</sup>

Flexible H07V-K and ferrule with plastic collar mm<sup>2</sup>

Plug gauge according to IEC 60 947-1 Size

Continuous current of terminal block for conductor size

### UL/CSA rated data

Voltage/current/conductor size UL

Voltage/current/conductor size CSA

### Ordering data

Standard version	Type
	Beige Wemid
	Blue Wemid
	Brown Wemid
	Green Wemid

Special version	Without pin and socket, beige
	Without pin brown
	Without pin blue
	Without pin beige Wemid

### Cross-connection

For ZVL 1.5

### End plates/Dividers

Type	Wemid
ZAP/TW ZPV1,5	

### Marker carriers



BZT ZVL1.5 ZA      BZT ZVL1.5 o.ZA

### Reduction collar<sup>3)</sup>

ZRH for conductor 0.13...0.2 mm<sup>2</sup>      White

ZRH for conductor 0.25...0.5 mm<sup>2</sup>      Grey

ZRH for conductor 0.75...1 mm<sup>2</sup>      Dark grey

### Screwdriver

SD to DIN 5264 A

### Marking tags

For terminal base element ZPV 1.5	ZGB15	1636530000	20
Marker carriers BZT ZVL 1.5	ZGB30	1611930000	20
and for endplate ZAP/TW ZPV 1.5	DEK 5	see Accessories	
Blank	ZS 10/5	1610000000	480
Blank	WS 8/5	1640740000	720
Blank	WS 10/5	1675000000	720
Blank	WS 12/5	1609960000	720

### UL/CSA Approvals

5,08/68/38

250 V/17,5 A/1,5 mm<sup>2</sup>

4 kV/3

300 V/10 A/ 26...14 AWG

300 V/ 10 A/ 26...14 AWG

### Ordering data

Type	Cat. No.	Qty.
ZPV 1.5	1676630000	100

### Ordering data

ZAP/TW ZPV1,5      1674650000      50

ZRH 1.5N /1      1632140000      100

ZRH 1.5N /2      1632130000      100

ZRH 1.5N /3      1632120000      100

SD 0,6 x 3,5      9008330000      1

5,08/12.9/17.5

8 mm/-/3,5 x 0,6

250 V/17,5 A/1,5 mm<sup>2</sup>

4 kV/3

0,08 ... 2,5

0,5 ... 2,5

0,5 ... 2,5

0,5 ... 1,5

0,5 ... 1,5

A 1

24 A / 2,5 mm<sup>2</sup>

300 V/10 A/ 26...14 AWG

300 V/10 A/ 26...14 AWG

### Ordering data

Type	Cat. No.	Qty.
ZVL 1.5	1649300000	100 <sup>2)</sup>
ZVL 1.5	1650360000	100 <sup>2)</sup>
ZVL 1.5	1650370000	100 <sup>2)</sup>
ZVL 1.5	1697820000	100 <sup>2)</sup>

ZVL 1.5      1711930000      100

ZVL 1.5      1714700000      20

ZVL 1.5      1714690000      20

ZVL 1.5      1714680000      20

ZVL 1.5      1678490000      20

ZAP/TW ZPV 1,5      1674650000      50

BZT ZVL 1,5 o.ZA      1676620000      100

BZT ZVL 1,5 ZA      1676610000      100

ZRH 1.5N /1      1632140000      100

ZRH 1.5N /2      1632130000      100

ZRH 1.5N /3      1632120000      100

SD 0,6 x 3,5      9008330000      1

<sup>2)</sup> Preassembled in blocks of 20  
<sup>3)</sup> Each standard pack contains 100 x 10-pole strips

# ZIK-ZAK Initiator-/actuator terminal blocks

## ZIA 1.5/3L... Base element 3-way



## ZIA 1.5/4L... Base element 4-way



## ZVL 1.5 Distributor strips



## ZIA 1.5... Block versions

### Dimensions/Approvals

Width/length/height (mm) mit TS 35 x 7.5

Width/length/height (mm)

Insulation stripping length/clamping screw/bit size

### Rated data VDE 0611 Part 1/8.92/IEC 60 947-7-1

Rated voltage/current/cross-section

Rated voltage/current/cross-section (with LED)

Rated peak voltage/contamination level

### Further technical data

Clampable conductor

Solid H07V-U

Stranded H07V-R

Flexible H07V-K and ferrule according to DIN 46 228/1

Flexible H07V-K and ferrule with plastic collar

Plug gauge according to IEC 60 947-1

Continuous current of terminal block for conductor size

### UL/CSA rated data

Voltage/current/conductor size

Voltage/current/conductor size

### Ordering data

Terminal base 3-way

Terminal base 3-way 10-pole

Terminal base 3-way with LED **for PNP and NPN<sup>1)</sup>**

PE-terminal base 3-way

Terminal base 4-way

Terminal base 4-way 10-pole

Terminal base 4-way with LED **for PNP and NPN<sup>1)</sup>**

PE-terminal base 4-way

Beige Wemid

Brown Wemid

Blue Wemid

Green/yellow Wemid

For 8 initiators

For 8 actuators

For 16 initiators

For 16 actuators

### 4-way types:

For 8 initiators with PE

For 16 initiators with PE

### End plate

3-way

4-way



### Cross-connection

For signal level

ZQV 2.5



2-pole

3-pole

4-pole

5-pole

6-pole

7-pole

8-pole

9-pole

10-pole

50-pole

### Reduction collar<sup>3)</sup>

ZRH for conductor 0.13...0.2 mm<sup>2</sup>

ZRH for conductor 0.25...0.5 mm<sup>2</sup>

ZRH for conductor 0.75...1 mm<sup>2</sup>



### Colour

White

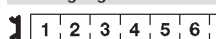
Grey

Dark grey

### Screwdriver

SD to DIN 5264 A

### Marking tags



### Print

FW/FS/...



5,08/68/45,8

8 mm/-/3,5 x 0,6

250 V/17,5 A/1,5 mm<sup>2</sup>

5...30 V/17,5 A/1,5 mm<sup>2</sup>

4 kV/3

0,08...2,5

0,5...2,5

0,5...2,5

0,5...1,5

0,5...1,5

A 1

24 A / 2,5 mm<sup>2</sup>

300 V/10 A/26...14 AWG

300 V/10 A/26...14 AWG

Terminal base 3-way

Terminal base 3-way 10-pole

Terminal base 3-way with LED **for PNP and NPN<sup>1)</sup>**

PE-terminal base 3-way

Terminal base 4-way

Terminal base 4-way 10-pole

Terminal base 4-way with LED **for PNP and NPN<sup>1)</sup>**

PE-terminal base 4-way

Beige Wemid

Brown Wemid

Blue Wemid

Green/yellow Wemid

For 8 initiators

For 8 actuators

For 16 initiators

For 16 actuators

For 8 initiators with PE

For 16 initiators with PE

3-way

4-way

2-pole

3-pole

4-pole

5-pole

6-pole

7-pole

8-pole

9-pole

10-pole

50-pole

ZRH for conductor 0.13...0.2 mm<sup>2</sup>

ZRH for conductor 0.25...0.5 mm<sup>2</sup>

ZRH for conductor 0.75...1 mm<sup>2</sup>

White

Grey

Dark grey

SD to DIN 5264 A

Marking tags

Print

FW/FS/...

DEK 5 see Accessories

DEK 5 see Accessories

DEK 5 see Accessories

DEK 5 section "Accessories"



5,08/81/45,8

8 mm/-/3,5 x 0,6

250 V/17,5 A/1,5 mm<sup>2</sup>

5...30 V/17,5 A/1,5 mm<sup>2</sup>

4 kV/3

0,08...2,5

0,5...2,5

0,5...2,5

0,5...1,5

0,5...1,5

A 1

24 A / 2,5 mm<sup>2</sup>

300 V/10 A/26...14 AWG

300 V/10 A/26...14 AWG

Terminal base 3-way

Terminal base 3-way 10-pole

Terminal base 3-way with LED **for PNP and NPN<sup>1)</sup>**

PE-terminal base 3-way

Terminal base 4-way

Terminal base 4-way 10-pole

Terminal base 4-way with LED **for PNP and NPN<sup>1)</sup>**

PE-terminal base 4-way

Beige Wemid

Brown Wemid

Blue Wemid

Green/yellow Wemid

For 8 initiators

For 8 actuators

For 16 initiators

For 16 actuators

For 8 initiators with PE

For 16 initiators with PE

3-way

4-way

2-pole

3-pole

4-pole

5-pole

6-pole

7-pole

8-pole

9-pole

10-pole

50-pole

ZRH for conductor 0.13...0.2 mm<sup>2</sup>

ZRH for conductor 0.25...0.5 mm<sup>2</sup>

ZRH for conductor 0.75...1 mm<sup>2</sup>

White

Grey

Dark grey

SD to DIN 5264 A

Marking tags

Print

FW/FS/...

DEK 5 see Accessories

DEK 5 see Accessories

DEK 5 see Accessories

DEK 5 section "Accessories"



5,08/12,9/17,5

8 mm/-/3,5 x 0,6

250 V/17,5 A/1,5 mm<sup>2</sup>

5...30 V/17,5 A/1,5 mm<sup>2</sup>

4 kV/3

0,08...2,5

0,5...2,5

0,5...2,5

0,5...1,5

0,5...1,5

A 1

24 A / 2,5 mm<sup>2</sup>

300 V/10 A/26...14 AWG

300 V/10 A/26...14 AWG

Terminal base 3-way

Terminal base 3-way 10-pole

Terminal base 3-way with LED **for PNP and NPN<sup>1)</sup>**

PE-terminal base 3-way

Terminal base 4-way

Terminal base 4-way 10-pole

Terminal base 4-way with LED **for PNP and NPN<sup>1)</sup>**

PE-terminal base 4-way

Beige Wemid

Brown Wemid

Blue Wemid

Green/yellow Wemid

For 8 initiators

For 8 actuators

For 16 initiators

For 16 actuators

For 8 initiators with PE

For 16 initiators with PE

3-way

4-way

2-pole

3-pole

4-pole

5-pole

6-pole

7-pole

8-pole

9-pole

10-pole

50-pole

ZRH for conductor 0.13...0.2 mm<sup>2</sup>

ZRH for conductor 0.25...0.5 mm<sup>2</sup>

ZRH for conductor 0.75...1 mm<sup>2</sup>

White

Grey

Dark grey

SD to DIN 5264 A

Marking tags

Print

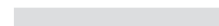
FW/FS/...

DEK 5 see Accessories

DEK 5 see Accessories

DEK 5 see Accessories

DEK 5 section "Accessories"



5,08/12,9/17,5

8 mm/-/3,5 x 0,6

250 V/17,5 A/1,5 mm<sup>2</sup>

5...30 V/17,5 A/1,5 mm<sup>2</sup>

4 kV/3

0,08...2,5

0,5...2,5

0,5...2,5

0,5...1,5

0,5...1,5

A 1

24 A / 2,5 mm<sup>2</sup>

300 V/10 A/26...14 AWG

300 V/10 A/26...14 AWG

Terminal base 3-way

Terminal base 3-way 10-pole

	3-Way Initiator		3-Way Actuator		3-Way Initiator with PE
					
<b>Distributor strip</b>	=	=	=	=	=
ZVL1.5 BR					
<b>1650370000</b> Qty.=100*	+				
ZVL1.5 BL					
<b>1650360000</b> Qty.=100*	+				
ZVL1.5 PE					
<b>1651970000</b> Qty.=100*	+				
<b>Base element</b>	+		+		
ZIA 1.5/3L-1S 3-Way					
<b>1651980000</b> Qty.=100	alternatively				
ZIA 1.5/3L-1S/LD 3-Way with LED					
<b>1651990000</b> Qty.=50	+				
ZIA 1.5/4L-1S 4-Way					
<b>1652010000</b> Qty.=100	alternatively				
ZIA 1.5/4L-1S/LD 4-Way with LED					
<b>1652020000</b> Qty.=50	as required				
ZIA 1.5/3L-PE 3-Way					
<b>1652000000</b> Qty.=20	as required				
ZIA 1.5/4L-PE 4-Way					
<b>1652030000</b> Qty.=20	as required				
<b>Endplate</b>	+		+		
ZAP/TW ZIA1.5/3L 3-Way					
<b>1649540000</b> Qty.=50	+				
ZAP/TW ZIA1.5/4L 4-Way					
<b>1649550000</b> Qty.=50	+				
<b>Cross-connection for signal level</b>	+				
ZQV2.5/2 <b>1608860000</b> Qty.=60	<p>Whatever way you look at it, you'll not find anything so compact.</p> 				
ZQV2.5/3 <b>1608870000</b> Qty.=60					
ZQV2.5/4 <b>1608880000</b> Qty.=60					
ZQV2.5/5 <b>1608890000</b> Qty.=20					
ZQV2.5/6 <b>1608900000</b> Qty.=20					
ZQV2.5/7 <b>1608910000</b> Qty.=20					
ZQV2.5/8 <b>1608920000</b> Qty.=20					
ZQV2.5/9 <b>1608930000</b> Qty.=20					
ZQV2.5/10 <b>1608940000</b> Qty.=20					

\*) pre-assembled in blocks of 20

## Worldwide activities

- ▲ **Argentina**  
CPI SA  
Bauness 2660, 1431 Buenos Aires  
Tel. +54(0)11 - 45 23 80 08 · Fax +54(0)11 - 45 22 05 46  
cpi@satlink.com
  - **Australia**  
Weidmüller Pty. Ltd.  
43 Huntingwood Drive, Huntingwood, NSW, 2148  
P.O. Box 6944, Blacktown, NSW, 2148  
Tel. +61(0)2 - 96 71-99 99 · Fax +61(0)2 - 96 71-99 11  
info@weidmuller.com.au · <http://www.weidmuller.com.au>
  - **Austria**  
Weidmüller Ges.m.b.H.  
Industriezentrum No Süd, Straße 2, Objekt M2,  
2355 Wiener Neudorf  
Tel. +43(0)2236 - 6708-0 · Fax +43(0)2236 - 67 08-1 99  
office@weidmueller.at
  - **Bahrain**  
Weidmüller (Middle East) Ltd.,  
Representative Office, P. O. Box 545004, Jidhafs  
Tel. +973(0)59 04 49 · Fax +973(0)59 37 14
  - ▲ **Belarus**  
Tehnikon Ltd.  
Apt. 704, Haus 16/5, Oktiabrskaya Str., Minsk 220801  
Tel. +375(0)17 - 227 58 30 · Fax +375(0)17 - 227 58 30  
tehnikon@belsonet.net
  - **Belgium**  
Weidmüller N. V.  
Ambachtlenlaan 11 A, 3001 Heverlee  
Tel. +32(0)16 - 39 59 90 · Fax +32(0)16 - 40 10 51
  - **Brazil**  
Weidmüller do Brasil  
Rua Antonio das Chagas, 439,  
04714-000 Chacara Santo Antonio, Sao Paulo - SP  
Tel. +55(0)11 - 51 84 24 84 · Fax +55(0)11 - 51 84 24 83  
weidmuller@weidmuller.com.br  
<http://www.weidmuller.com.br>
  - ▲ **Bulgaria**  
Weid-Bul eOOD  
ul. Nezabravka 33 A, bl. 315/3/10, 1113 Sofia  
Tel. +359(0)2 - 9 63-25 60 · Fax +359(0)2 - 9 63-10 98
  - **Canada**  
Weidmüller Ltd.  
10 Spy Court, Markham, Ontario L3 R5 H6  
Tel. +1(0)905 - 4 75-15 07 · Fax +1(0)905 - 4 75-27 98  
<http://www.weidmuller.ca>
  - ▲ **Chile**  
Felipe Bahamondes S.A./ATS AGRO  
Servicios Agroindustriales, María Luisa Santander 0475,  
Providencia, Casilla 3425, Santiago  
Tel. +56(0)2 - 3 41-12 71 · Fax +56(0)2 - 3 41-12 75
  - **China**  
Chengdu Weidmüller Interface Co. Ltd.  
52 North Shiren Road, Outwest Chengdu,  
Sichuan 610072, People's Republic of China  
Tel. +86(0)28 - 7 31 77 04 · Fax +86(0)28 - 7 31-7175
  - ▲ **Colombia**  
Allatelec LTDA  
Calle 72 No. 15-41 OF 503, Santafe de Bogotá D.C.  
Tel. +57(0)1 - 2 10 25 64 · Fax +57(0)1 2 10 25 64  
allatelec@starmedia.com
  - ▲ **Croatia**  
Elektro Partner d.o.o.  
Radnicka cesta 22, 10000 Zagreb  
Tel. +385(0)1 - 6 18 47 93 · Fax +385(0)1 - 6 18 47 95
  - **Czech. Rep.**  
Weidmüller s. r. o.  
Videnska ul. 340, 25242 Vestec u Prahy  
Tel. +420(0)2 - 44 00 14 00 · Fax +420(0)2 - 44 00 14 99  
office@weidmueller.cz
  - ▲ **Denmark**  
Krud Wexøe A/S  
Skaettekaeret 11, P.O. Box 152, 2840 Holte  
Tel. +45(0)45 46 58 00 · Fax +45(0)45 46 58 01  
wexoe@wexoe-as.dk
  - ▲ **Estonia**  
Please contact JUHA-ELEKTRO OY, Finland
  - ▲ **Finland**  
JUHA-ELEKTRO OY  
Kylvöpolku 6, P. O. Box 57, 00681 Helsinki  
Tel. +358(0)9 - 47 84 11 · Fax +358(0)9 - 47 84 13 11
  - **France**  
Weidmüller Sarl  
11, Rue Edouard Branly, B.P. 13 - Z.A.E.,  
95221 Herblay Cedex  
Tel. +33(0)1 - 34 50 34 50 · Fax +33(0)1 - 34 50 34 37
  - **Germany**  
Weidmüller GmbH & Co.  
(33 058) Postfach 28 07, (33 102) An der Talle 89  
Paderborn  
Tel. +49(0)5252 - 9 60-0 · Fax +49(0)5252 - 9 60-1 16  
info@mail.weidmueller.de · <http://www.weidmueller.de>
  - ▲ **Greece**  
DION. GIANNIKOS & Co.  
45 Kivellis Str., 111 46 Athen  
Tel. +30(0)1 - 2 13 74 50-2 · Fax +30(0)1 - 2 91 11 40  
diogian@compulink.gr
  - ▲ **Hong Kong**  
United Equity Limited  
Suite B, 11/F International Industrial Centre,  
2-8 Kwei Tei Street, Fotan, Shatin, N. T.  
Tel. +852 - 26 87 67 39 · Fax +852 - 26 87 67 35
  - **Hungary**  
Weidmüller Kereskedelmi Kft  
Dombóvári út 13, 1117 Budapest, P. O. Box 22,  
1507 Budapest  
Tel. +36(0)1 - 4 64-78 88 · Fax +36(0)1 - 2 03-41 28  
info@weidmueller.hu
  - ▲ **India (South-East)**  
Vijay Dattani  
243, Prashanthi Extn., Whitefield, Bangalore - 560 066  
Tel. +91(0)80 - 8 45 39 99 · Fax +91(0)80 - 8 45 39 99
  - ▲ **Indonesia**  
P. T. Nego Electrindo  
Komplek Perkantoran Kramat Centre,  
Blok-A 18 Jl Kramat Raya No. 7-9, Jakarta 10450  
Tel. +62(0)21 - 3 15 62 18 · Fax +62(0)21 - 3 15 62 19
  - ▲ **Iran**  
MACS KALA Ltd. Co.  
Unit 4, Alborz Building, No. 12-14,  
Nikouquadam Alley, North Sohevardi Street,  
P.O.Box 15115-481, 15548 Teheran  
Tel. +98(0)21 - 8 76-6770 · Fax +98(0)21 - 8 76-6770  
macskala@sinasoft.net
  - ▲ **Ireland**  
A.P. Haslam Ltd.  
14 Sunshine Ind. Estate, Crumlin Road, Dublin 12  
Tel. +353(0)1 - 453-2522 · Fax +353(0)1 - 4 53-29 49  
paul.haslam@aphaslam.ie
  - ▲ **Israel**  
A.U. Shay Ltd.  
Embar Street 23/25, P.O.Box 10049, Petch-Tikva 49222  
Tel. +972(0)3 - 9 23 36 01 · Fax +972(0)3 - 9 23 46 01
  - **Italy**  
Weidmüller S.r.l.  
Via Albert Einstein 4, 20092 Cinisello Balsamo, Milano  
Tel. +39(0)02 - 6 60 68-1 · Fax +39(0)02 - 6 12 49 45  
weidmuller@weidmuller.it · <http://www.weidmuller.it>
  - **Japan**  
Nihon Weidmüller Co. Ltd.  
Post Code 355-0344, Hiki-gun Tamagawa-mura,  
Hikage Yoshizawa 1060-2, Saitama  
Tel. +81(0)493 - 65-2771 · Fax +81(0)493 - 65-2762
  - **Korea**  
Weidmüller (Korea) Ltd.  
2nd Floor, 38/4, 1161 Onchon-2Dong, Dong Rae-Pusan
  - ▲ **Luxembourg**  
Please contact Weidmüller Belgium, Heverlee  
Macedonia, Elektrosystem d.o.o., Bl. III
  - **Malaysia**  
Weidmüller (Malaysia) Sdn. Bhd.  
22 Jalan PJS 11/16 Bandar Sunway,  
46150 Petaling Jaya, Selangor Darul Ehsan  
Tel. +60(0)3 - 7 33 73 63 · Fax +60(0)3 - 7 33 65 62
  - **Mexico**  
Weidmüller S. A. de. C.V.  
5 Sur 4311, Col. Huexotitla, Puebla,  
Pue. C.P. 72534 Mexico  
Tel. +52(0)22 - 37 25 49 · Fax +52(0)22 - 43 19 81  
weidmull@acnet.net
  - ▲ **Morocco**  
Energy-Technics Transfer, S.A.  
23 Boulevard Lieutenant Mohamed El Bakai Tamri,  
Casablanca 20250  
Tel. +212(0)22 - 34 37 00 · Fax +212(0)22 - 34 36 99
  - **Netherlands**  
Weidmüller B.V.  
Franciscusweg 221, 1216 SE Hilversum,  
Postbus 1505, 1200 BM Hilversum  
Tel. +31(0)35 - 6 26 12 61 · Fax +31(0)35 - 6 23 45 69
  - ▲ **New Zealand**  
Cuthbert S. Steward Limited  
27 Te Puni Street, POB 38496 Petone, Petone, Wellington  
Tel. +64(0)4 - 5 68 61 56 · Fax +64(0)4 - 5 68 60 56
  - ▲ **Norway**  
Siv. Ing. J. F. Knudtzen A/S  
Billingstadsletta 97, 1396 Billingstad, P. O. Box 160,  
1378 Nesbru  
Tel. +47(0)66 - 98 33 50 · Fax +47(0)66 - 98 09 55  
rholnaes@JFKnudtzen.no
  - ▲ **Pakistan**  
Access Technology Networks (ATN) Pvt Ltd.  
No 47 College Road, Sector F-7/2, Islamabad  
Tel. +92(0)51 - 27 56 98 · Fax +92(0)51 - 27 56 65
  - ▲ **Peru**  
DIN AUTOMATIZACION S. A.  
Rimac Pampa 385 - Maranga, Lima 32  
Tel. +51(0)1 - 4 51 17 33 · Fax +51(0)1 - 4 49 10 95  
din\_aut@terra.com.pe
  - ▲ **Philippines**  
Tradepoints, Inc.  
3rd Floor PM Santiago Bldg.,  
5081 P. Burgos Cor., San Mateo Streets, Makati Manila  
Tel. +63(0)2 - 8 99 32 94 · Fax +63(0)2 - 8 99 33 06
  - **Poland**  
Weidmüller Sp.z.o.o.  
ul. Domaniewska 39a, 02-672 Warszawa  
Tel. +48(0)22 - 6 40 29 86 · Fax +48(0)22 - 6 40 29 92
  - **Portugal**  
Weidmüller - Sistemas de Interface, S. A.  
Estrada Outeiro Polima, Lote B, N° B2, Escritório  
2 - Abboboda, 2785-518 Sao Domingos de Rana  
Tel. +351(0)21 - 4 45 91 90 · Fax +351(0)21 - 4 45 58 71  
weidmuller@mail.telepac.pt · <http://www.weidmuller.pt>
  - ▲ **Romania**  
ROMINTERFACE IMPEX SRL  
Splaiul Unirii nr. 45, Bl. M 15, sc. 3, ap. 68-69, Sect. 3,  
7432 Bucuresti  
Tel. +40(0)1 - 3 22 02 30 · Fax +40(0)1 - 3 22 88 57  
romint@dnt.ro
  - ▲ **Russia**  
Weidmüller Koordinationsbüro  
Stanislav Khmelinski Zemljanoi Wal 50a/8,  
Büro 913, 10 90 28 Moskau  
Tel. +7(0)95 - 916-68-65 · Fax +7(0)95 - 916-68-67  
Handy +7(0)95 - 103 79 65 · weidmull@online.ru
  - ▲ **Saudi Arabia**  
Connect Trading Est.  
P.O. Box 1804, King Abdul Aziz Street, Al-Khobar 31952  
Tel. +966(0)3 - 8 95 28 33 · Fax +966(0)3 - 8 95 28 49
  - **Singapore**  
Weidmüller Pte Ltd  
1 Kallang Sector # 07-01/03, Singapore 349276  
Tel. +65 - 8 41-53 11 · Fax +65 - 8 41-53 77  
weidsing@singnet.com.sg · <http://weidmuller.com.sg>
  - ▲ **Slovakia**  
ELEKTRIS, spol. s.r.o.  
Stará Vajnorská 25, 83 104 Bratislava,  
Tel. +421(0)7 - 44 45 78 30 · Fax +421 (0)7 - 44 45 78 33  
weidmueller@compulink.sk
  - ▲ **Slovenia**  
ELEKTROSPOJIL d.o.o.  
Stegne 25, 1000 Ljubljana  
Tel. +386(0)61 - 1 51 38 10 · Fax +386(0)61 - 1 51 16 04
  - ▲ **South Africa**  
RAD Interface Pty. Ltd.  
5 Bundo Road, Sebenza Extension, Edenvale 1609,  
P.O.Box 193, Edenvale 1610  
Tel. +27(0)11 - 4 52-19 30 · Fax +27(0)11 - 4 52-64 55
  - **Spain**  
Weidmüller S. A.  
Narcis Monturiol 11-13, Pol.Ind. N° 1,  
08960 Sant Just Desvern, Barcelona  
Tel. +34(0)93 - 3 72 20 61 · Fax +34(0)93 - 3 71 80 55  
<http://wmuller.weidmuller.es>
  - **Sweden**  
Weidmüller AB  
Stockholm, Skebokvarnsvägen 370, 124 50 Bandhagen  
Tel. +46(0)8 - 7 27 23 00 · Fax +46(0)8 - 7 27 24 80  
mail.stockholm@weidmuller.se
  - **Switzerland**  
Weidmüller Schweiz AG  
Rundbuckstraße 2, CH - 8212 Neuhausen am Rheinfall  
Tel. +41(0)52 - 6 74 07 07 · Fax +41(0)52 - 6 74 07 08  
mail.info@weidmueller.ch · <http://weidmueller.ch>
  - ▲ **Taiwan**  
Lumax Intern. Corp., Ltd.  
7th Floor, 52 Sec. 3, Nankang Road,  
Taipei, Taiwan R.O.C.  
Tel. +886(0)2 - 7 88 36 56 · Fax +886(0)2 - 7 82 73 69
  - ▲ **Thailand**  
Pisanu Engineering & Construction Co. Ltd.  
800/2 Asoke-Dindaeng Road, Dindaeng, Bangkok 10400  
Tel. +66(0)2 - 2 45 91 13 · Fax +66(0)2 - 2 46 32 14  
pisanu@kanit.co.th
  - **Turkey**  
Weidmüller Elektronik Ticaret Ltd. Sirketi  
Kore fihitleri Cad. 34/1-7, 80300 Zincirlikuyu, Istanbul  
Tel. +90(0)212 - 2 73 08 30 · Fax +90(0)212 - 2 74 08 74  
info@weidmuller.com.tr
  - ▲ **Ukraine**  
TEKO TOB  
A / C 377, Ul. Tschujkova 2, 256400 Belaja Zerkow-17  
Tel. +380(0)44 63 - 5 68 92 · Fax +380(0)4463 - 6 676 10
  - ▲ **United Arab Emirates**  
Rep. Off.  
Weidmüller Ltd. (Middle East), P.O.Box 31886, Dubai  
Tel. +971(0)4 - 38 71 90 · Fax +971(0)4 - 38 71 90
  - **United Kingdom**  
Weidmüller Ltd.  
1 Abbey Wood Road, Kings Hill, West Malling,  
Kent ME19 4YT  
Tel. +44(0)1732 - 87 70 00 · Fax +44(0)1732 - 87 42 96
  - **USA**  
Weidmüller Inc.  
21 Southlake Boulevard, Richmond, Virginia 23236  
Tel. +1(0)804 - 794 28 77 · Fax +1(0)804 - 3 79 25 93  
info@weidmuller.com · <http://www.weidmuller.com>
  - ▲ **Vietnam**  
Thien Nghi Trading Pte  
60B Tan Da Street, District 5 Ho Chi Min  
Tel. +84(0)8 - 8 55 53 87 · Fax +84(0)8 - 8 54 93 04
  - ▲ **Yugoslavia**  
ES-YU ELEKTROSISTEM d.o.o.  
Pariske komune 41, 11070 Novi Beograd  
Tel. +381(0)11 - 69 36 08 · Fax +381(0)11 - 69 72 12  
esyu@infosky.net
- Other countries**  
Weidmüller Interface GmbH & Co.  
Postfach 3030 - D-32720 Detmold  
Tel. +49(0)5231 - 14-0 · Fax +49(0)5231 - 14-20 83  
<http://www.weidmueller.de>
- **Group companies**
  - ▲ **Agencies**

Argentina  
Australia  
Austria  
Bahrain  
Belarus  
Belgium  
Brazil  
Bulgaria  
Canada  
Chile  
China  
Colombia  
Croatia  
Czech Republic  
Denmark  
Estonia  
Finland  
France  
Germany  
Great Britain  
Greece  
Hong Kong  
Hungary  
India  
Indonesia  
Iran  
Ireland  
Israel  
Italy  
Japan  
Korea  
Luxembourg  
Malaysia  
Mexico  
Morocco  
Netherlands  
New Zealand  
Norway  
Pakistan  
Peru  
Philippines  
Poland  
Portugal  
Romania  
Russia  
Saudi-Arabia  
Singapore  
Slovakia  
Slovenia  
South Africa  
Spain  
Sweden  
Switzerland  
Taiwan  
Thailand  
Turkey  
UAE  
Ukraine  
USA  
Vietnam  
Yugoslavia



[www.weidmuller.com](http://www.weidmuller.com) [www.weidmuller.com](http://www.weidmuller.com)

[www.weidmuller.com](http://www.weidmuller.com)

**Weidmüller is the leading manufacturer of components for electrical connection technology.**

**We develop, produce and sell a wide spectrum of products from terminal blocks through connectors to relay sockets and I/O sockets for every type of application.**

**Order number:**

**5618980000/04/2001/VSD/Bö.**

