

## Protective covers - VS-PPC-C2-PC67-MNNA - 1404045


Please be informed that the data shown in this PDF Document is generated from our Online Catalog. Please find the complete data in the user's documentation. Our General Terms of Use for Downloads are valid (<http://phoenixcontact.com/download>)



Protective covers, Degree of protection: IP65, Material: Zinc die-cast



### Key Commercial Data

Packing unit	1 STK
GTIN	 4 046356 285438
GTIN	4046356285438
Weight per Piece (excluding packing)	84.900 g
Custom tariff number	85389099
Country of origin	Germany

### Technical data

#### Ambient conditions

Ambient temperature (operation)	-40 °C ... 70 °C
---------------------------------	------------------

#### General data

Note	This product corresponds to the PROFINET Cabling and Interconnection Technology Guideline for PROFINET regulations, version 2.00, order no: 2.252, Chapter 11 Connectors for 24 Volt Power Supply Cabling and Chapter 13 Application specific Cabling and Interconnection Technology (AIDA)
Alternative short product description	Protective cover for push-pull panel mounting frame
Locking type	Push Pull

### Standards and Regulations

Flammability rating according to UL 94	V0
--	----

# Protective covers - VS-PPC-C2-PC67-MNNA - 1404045

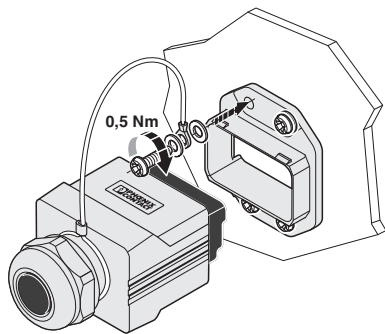
## Technical data

### Environmental Product Compliance

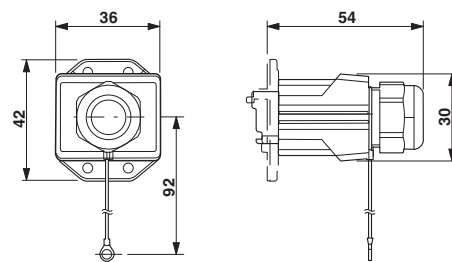
China RoHS	Environmentally Friendly Use Period = 50
	For details about hazardous substances go to tab "Downloads", Category "Manufacturer's declaration"

## Drawings

Explosion drawing



Dimensional drawing



Protective cover for the Push-Pull panel mounting frame

### Mounting the protective cover