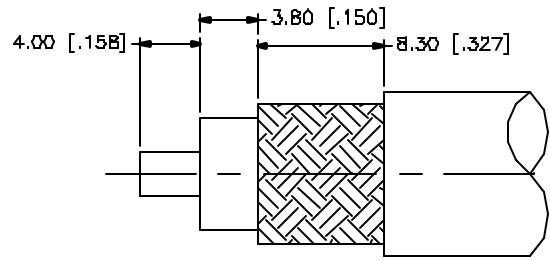
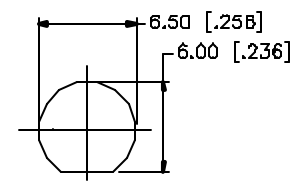


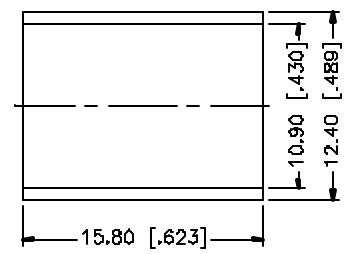
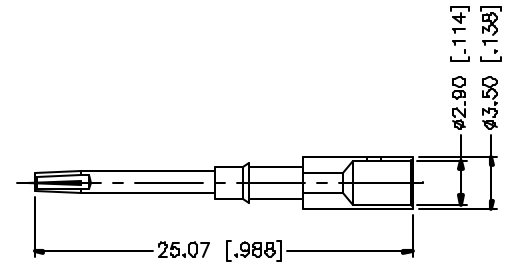
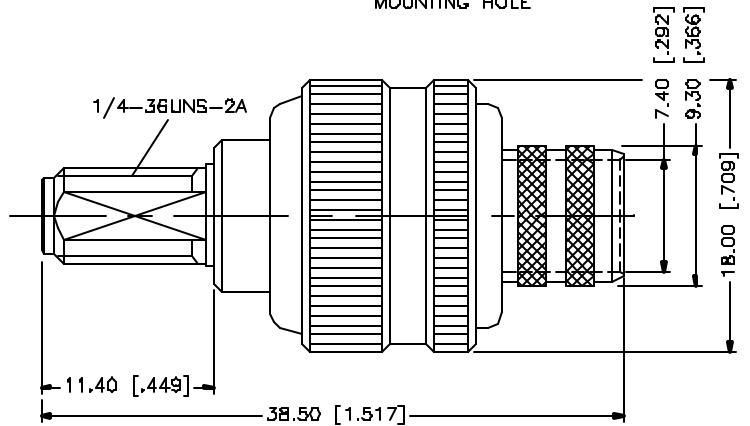
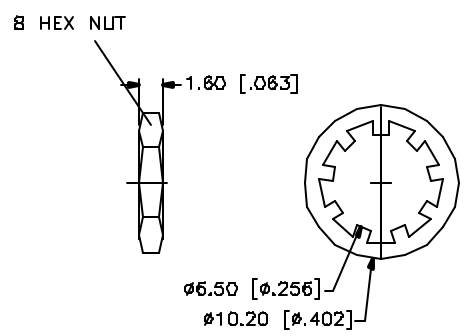
REV.	DATE	DESCRIPTION
NC	07/18/01	INITIAL RELEASE
A	05/17/05	UPDATE DRAWING FORMAT



RECOMMENDED
CABLE STRIPPING DIM'S



RECOMMENDED
MOUNTING HOLE



- CRIMP NOTES:
1. CRIMPED FERRULE
HEX CRIMP SIZE .429"
 2. CRIMPED CONTACT PIN
HEX CRIMP SIZE .118"
 3. MAX. PANEL THICKNESS = 3.2mm

QTY	DESCRIPTION	MATERIAL	FINISH	QTY
1	BODY	BRASS	GOLD	1
2	INSULATOR	TEFLON	NATURAL	1
3	CONTACT PIN	BRASS	GOLD	1
4	LOCK WASHER	BRASS	GOLD	1
5	HEX NUT	BRASS	GOLD	1
6	FERRULE	COPPER	GOLD	1
7				
8				

UNLESS OTHERWISE SPECIFIED DIMENSIONS ARE IN MILLIMETERS DIMENSIONS IN [] ARE IN INCHES AND FOR CUSTOMER REFERENCE ONLY.

UNLESS OTHERWISE SPECIFIED TOLERANCES FOR MILLIMETERS ARE:
0.5 - 8mm ± 0.20mm
8 - 30mm ± 0.40mm
30 - 120mm ± 0.50mm

UNLESS OTHERWISE SPECIFIED TOLERANCES FOR INCHES ARE:
.020 - .315 = ± 0.007"
.315 - 1.180 = ± 0.015"
1.180 - 4.724 = ± 0.020"

DO NOT SCALE DRAWING

APPROVALS	DATE
DRAWN G.R.S.	05/17/05
CHECKED	
ISSUED	
SHEET 1 OF 1	
CAD FILE C:/132/132333.DWG	

Amphenol Connex

PART DESCRIPTION
**SMA BULKHEAD CRIMP JACK
(FOR BELDEN 9913, 9914, LMR-400)**

PART NO. **132333**

DWG. NO. 132333.DWG	REV. A	SIZE A	SCALE NA
---------------------	--------	--------	----------

Mouser Electronics

Authorized Distributor

Click to View Pricing, Inventory, Delivery & Lifecycle Information:

[Amphenol:](#)

[132333](#)