


**SACC-M12MR-4CON-PG 9-VA**

Order No.: 1553226

<http://eshop.phoenixcontact.de/phoenix/treeViewClick.do?UID=1553226>Sensor/actuator connector, male, angled, 4-pos., M12, screw  
connection, high-grade steel knurl, cable screw connection PG9**Commercial data**

GTIN (EAN)	 4 046356 170147
sales group	D120
Pack	1 pcs.
Customs tariff	85366990
Catalog page information	Page 211 (PC-2011)

**Product notes**WEEE/RoHS-compliant since:  
11/10/2006

<http://www.download.phoenixcontact.com>  
Please note that the data given here has been taken from the online catalog. For comprehensive information and data, please refer to the user documentation. The General Terms and Conditions of Use apply to Internet downloads.

**Technical data****General data**

Rated current at 40°C	4 A
Rated voltage	250 V
Number of positions	4
Volume resistance	≤ 3 mΩ
Insulation resistance	≥ 100 MΩ

Ambient temperature (operation)	-40 °C ... 85 °C
---------------------------------	------------------

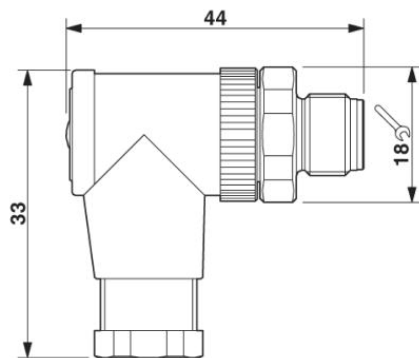
**General characteristics**

Standards/regulations	M12 connector IEC 61076-2-101
Coding	A - standard
Surge voltage category	II
Pollution degree	3
Degree of protection	IP67/IP69K
Contact material	CuZn
Contact surface material	Au
Contact carrier material	PA 66
Material of grip body	PBT
Material, knurls	High-grade steel
Sealing material	NBR
Connection method	Screw connection
Conductor cross section stranded min.	0.25 mm <sup>2</sup>
Conductor cross section stranded max.	0.75 mm <sup>2</sup>
Conductor cross section AWG/kcmil min.	24
Conductor cross section AWG/kcmil max	18
External cable diameter	6 mm ... 8 mm
Status display	No

**Diagrams/Drawings**

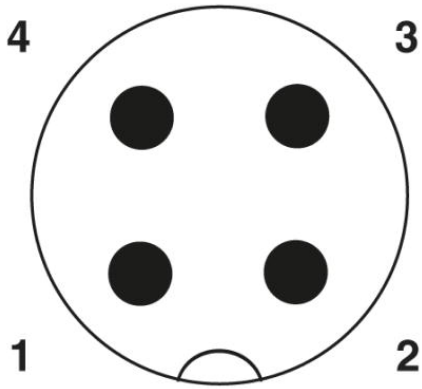
Dimensioned drawing

M12 x 1 male connector, angled



Schematic diagram

---



Pin assignment M12 plug, 4-pos., A-coded, view plug side

**Address**

PHOENIX CONTACT Inc., USA  
586 Fulling Mill Road  
Middletown, PA 17057, USA  
Phone (800) 888-7388  
Fax (717) 944-1625  
<http://www.phoenixcon.com>



© 2011 Phoenix Contact  
Technical modifications reserved;