

## Base strip - FK-MPT 0,5/ 8-IC-3,5 - 1905405

Please be informed that the data shown in this PDF Document is generated from our Online Catalog. Please find the complete data in the user's documentation. Our General Terms of Use for Downloads are valid (<http://phoenixcontact.com/download>)




Header, Nominal current: 3 A, Rated voltage (III/2): 250 V, Number of positions: 8, Pitch: 3.5 mm, Color: black, Contact surface: Tin, Mounting: Soldering, The touch-protected basic strip, serves to accommodate the FK-MPT 0,5 PCB terminal block.

The illustration shows a 15-position version



### Key commercial data

|                                      |   |
|--------------------------------------|---|
| Packing unit                         | 50 pc   |
| Minimum order quantity               | 50 pc   |
| GTIN                                 | <br>4 017918 179328 |
| Weight per Piece (excluding packing) | 1.46 g  |
| Custom tariff number                 | 85366990  |
| Country of origin                    | Germany   |
| Note                                 | Made to Order (non-returnable)  |

### Technical data

#### Dimensions

|                |              |
|----------------|--------------|
| Length         | 8.8 mm       |
| Pitch          | 3.5 mm       |
| Dimension a    | 24.5 mm      |
| Pin dimensions | 0,3 x 0,9 mm |
| Pin spacing    | 3.50 mm      |
| Hole diameter  | 1 mm         |

#### General

|                             |                   |
|-----------------------------|-------------------|
| Range of articles           | FK-MPT 0,5/...-IC |
| Insulating material group   | IIIa              |
| Rated surge voltage (III/3) | 2.5 kV            |
| Rated surge voltage (III/2) | 2.5 kV            |
| Rated surge voltage (II/2)  | 2.5 kV            |
| Rated voltage (III/3)       | 160 V             |

## Base strip - FK-MPT 0,5/ 8-IC-3,5 - 1905405

### Technical data

#### General

|   |        |
|---|--------|
| Rated voltage (III/2)                   | 250 V  |
| Rated voltage (II/2)                    | 250 V  |
| Connection in acc. with standard        | EN-VDE |
| Nominal current I <sub>N</sub>          | 3 A    |
| Maximum load current                    | 3 A    |
| Insulating material                     | PA     |
| Inflammability class according to UL 94 | V0     |
| Color                                   | black  |
| Number of positions                     | 8      |

### Classifications

#### eCl@ss

|            |          |
|------------|----------|
| eCl@ss 4.0 | 272607xx |
| eCl@ss 4.1 | 27260701 |
| eCl@ss 5.0 | 27260701 |
| eCl@ss 5.1 | 27260701 |
| eCl@ss 6.0 | 27260704 |
| eCl@ss 7.0 | 27440402 |
| eCl@ss 8.0 | 27440402 |

#### ETIM

|          |          |
|----------|----------|
| ETIM 3.0 | EC001121 |
| ETIM 4.0 | EC002637 |
| ETIM 5.0 | EC002637 |

#### UNSPSC

|               |          |
|---------------|----------|
| UNSPSC 6.01   | 30211801 |
| UNSPSC 7.0901 | 39121432 |
| UNSPSC 11     | 34131203 |
| UNSPSC 12.01  | 39121432 |
| UNSPSC 13.2   | 39121432 |

### Approvals

#### Approvals

---

#### Approvals

UL Recognized / cUL Recognized / EAC / cULus Recognized

---

# Base strip - FK-MPT 0,5/ 8-IC-3,5 - 1905405

## Approvals

Ex Approvals

Approvals submitted

### Approval details

|                    |       |       |
|--------------------|-------|-------|
| UL Recognized      |       |       |
|                    | B     | D     |
| Nominal current IN | 4 A   | 4 A   |
| Nominal voltage UN | 300 V | 300 V |

|                    |       |       |
|--------------------|-------|-------|
| cUL Recognized     |       |       |
|                    | B     | D     |
| Nominal current IN | 4 A   | 4 A   |
| Nominal voltage UN | 300 V | 300 V |

EAC

|                  |  |  |
|------------------|--|--|
| cULus Recognized |  |  |
|------------------|--|--|

## Accessories

### Additional products

PCB terminal block - FK-MPT 0,5/ 8-3,5 - 1891124

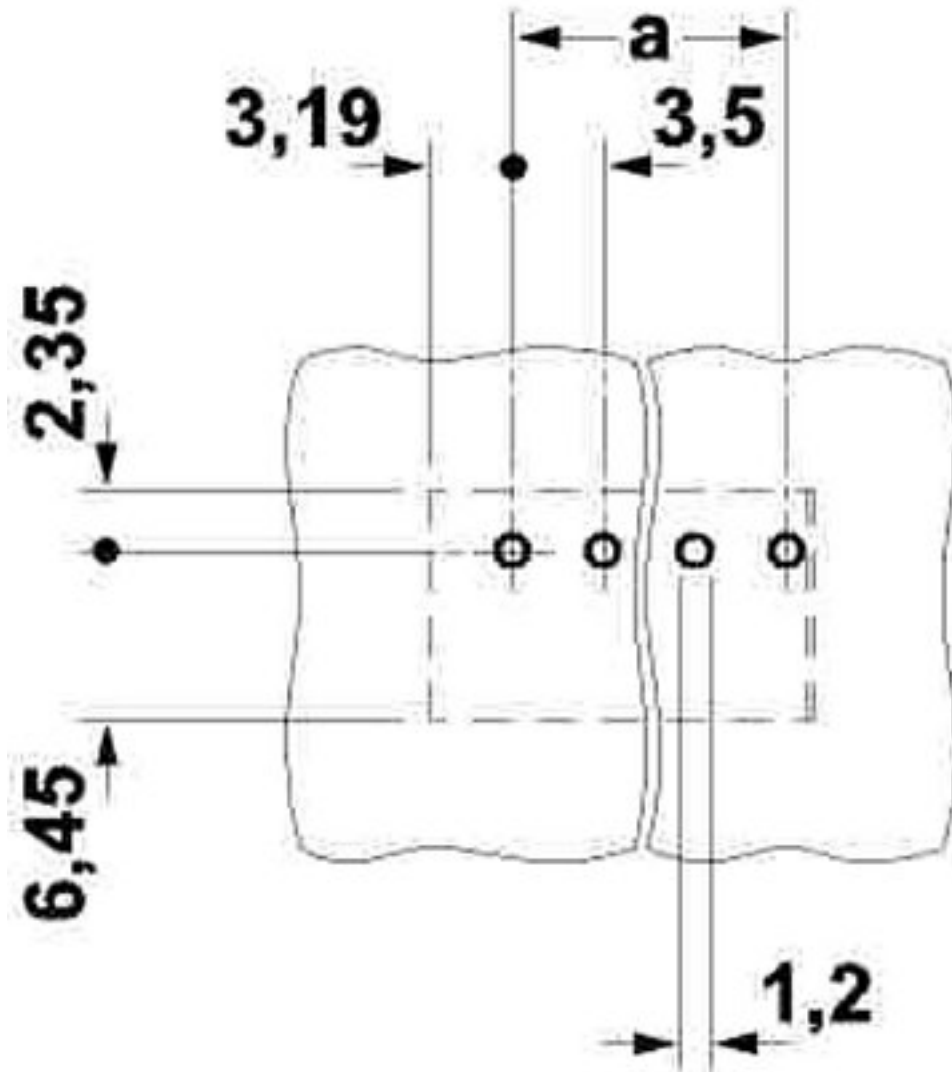


PCB terminal block, Nominal current: 4 A, Nom. voltage: 250 V, Pitch: 3.5 mm, Number of positions: 8, Connection method: Spring-cage connection, Mounting: Soldering, Conductor/PCB connection direction: 90 °, Color: green

## Drawings

# Base strip - FK-MPT 0,5/ 8-IC-3,5 - 1905405

Drilling diagram



## Base strip - FK-MPT 0,5/ 8-IC-3,5 - 1905405

Dimensioned drawing

