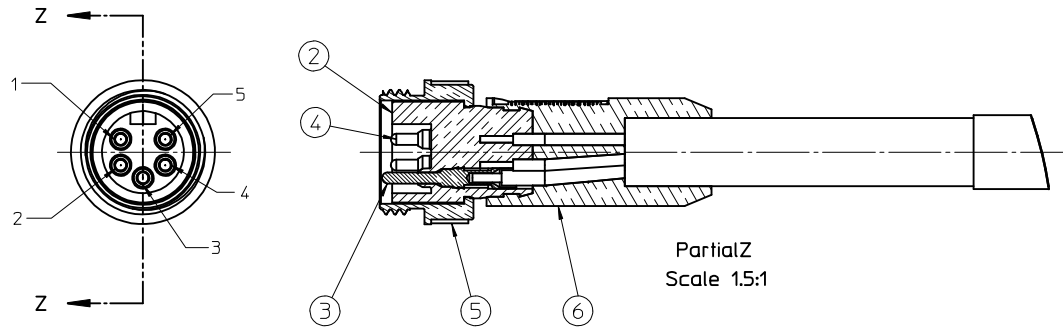
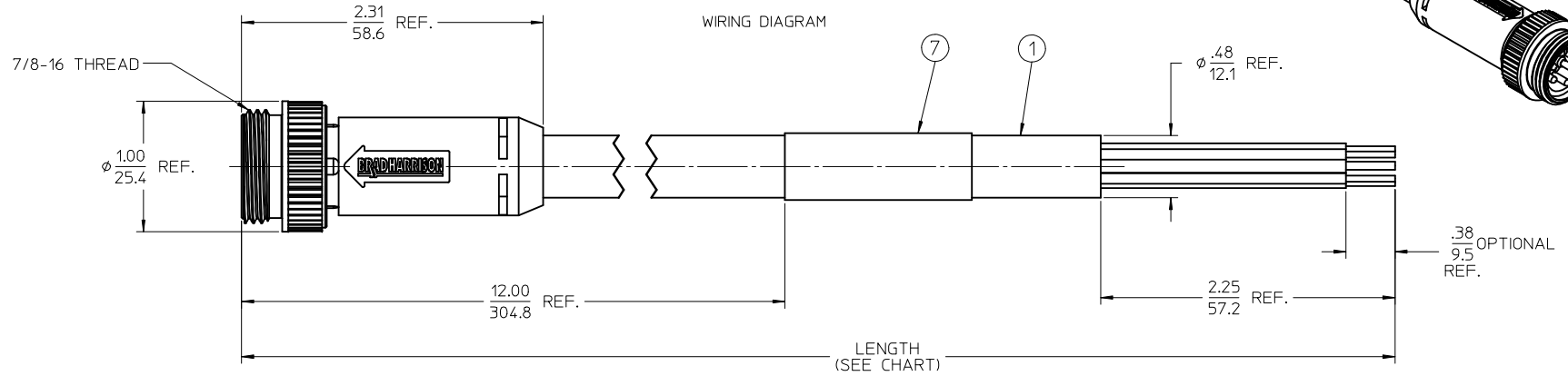
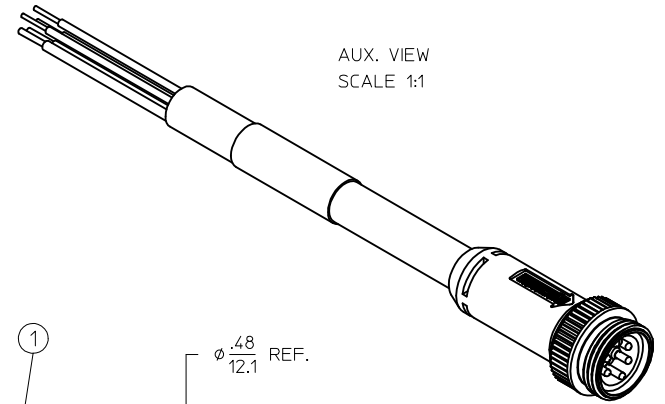


PART NUMBER	ENGINEERING NO.	LENGTH
1300240028	DN01A-M010	3' 3" +2.19 - 0 [1.0M +55.6 - 0]
1300240032	DN01A-M030	9' 10" +3.50 - 0 [3.0M +88.9 - 0]
1300240034	DN01A-M050	16' 5" +6.50 - 0 [5.0M +165.1 - 0]

P1	
1	DRAIN
2	RED +V
3	BLACK -V
4	WHITE CAN H
5	BLUE CAN L

WIRING DIAGRAM



NOTES:

1. MATERIAL: SEE TABLE
2. FINISHES: SEE TABLE
3. CABLE ASSEMBLIES ARE BAGGED SEPERATELY IN POLY BAGS WITH BARCODE LABEL ATTACHED TO OUTSIDE OF BAG
4. WRAP LABEL IS MARKED WITH P/N, DATE CODE VOLTAGE & AMPERAGE
5. MATES WITH: MINI CHANGE, A-SIZE 5 POLE RECEPTACLE
6. ELECTRICAL SPECIFICATIONS:
VOLTAGE RATING: 300V
CURRENT RATING: 4 AMPS
7. ASSEMBLY IS RoHS COMPLIANT

ITEM	QTY.	DESCRIPTION	MATERIAL	FINISH
7	1	LABEL	PLASTIC FILM	BLACK/YELLOW
6	1	OVERMOLD	PVC	GRAY
5	1	COUPLING NUT	ZINC DIE CAST	BLACK
4	3	CONTACT PIN, 18 AWG	BRASS	GOLD PLATED
3	2	CONTACT PIN, 16 AWG	BRASS	GOLD PLATED
2	1	INSERT, MALE, 5 POLE	PVC	GRAY
1	1	CABLE, DEV-NET, TRUNK, 18/2, 15/2	PVC JACKET	GRAY

RELEASED	EC NO: WNA2009-0700	2009/04/29
DRW:RSTONE	CHKD:B.WOODMAN	APPR:J.MURPHY
2009/05/15		
DESCRIPTION		
REV		

QUALITY SYMBOLS

▽=0

▽=0

	GENERAL TOLERANCES (UNLESS SPECIFIED)	
	mm	INCH
4 PLACES	± .005	± .0005
3 PLACES	± .005	± .0005
2 PLACES	± .01	± .001
1 PLACE	± 0.3	± .01
ANGULAR		± 1/2°

DRAFT WHERE APPLICABLE MUST REMAIN WITHIN DIMENSIONS

DIMENSION STYLE		SCALE	DESIGN UNITS	THIRD ANGLE PROJECTION
IN/MM		1.5:1	INCH	
DRAWN BY	DATE	TITLE		
R.STONE	2009/04/24	MINI-CHANGE 5 POLE, MALE DEV-NET CORD ASSEMBLY		
CHECKED BY	DATE	MATERIAL NO.		
B.WOODMAN	2009/04/27	SEE CHART		
APPROVED BY	DATE	DOCUMENT NO.		
J.MURPHY	2009/04/29	SD-130024-001		
SIZE	THIS DRAWING CONTAINS INFORMATION THAT IS PROPRIETARY TO MOLEX INCORPORATED AND SHOULD NOT BE USED WITHOUT WRITTEN PERMISSION			

MATERIAL NO.		DOCUMENT NO.		SHEET NO.
SEE CHART		SD-130024-001		1 OF 1