

SF-5EP1N8AWA00


Order No.: 1605520

The figure shows the 8-pos. (4+3+PE) product version



<http://catalog.phoenixcontact.net/phoenix/treeViewClick.do?UID=1605520>

Device connector, front mounting, straight, Screw locking, M23, Number of positions: 5+PE, Type of contact: Male connector, Crimp connection, Axial O-ring, 4xØ3,2, shielded: Yes, Flange dimensions: 26 mm x 26 mm, Cable diameter: 0 mm...0 mm

Commercial data	
EAN	4  046356 182164
Note	Made-to-order
sales group	D300
Pack	1 Pcs.
Customs tariff	85366990
Gross weight in pieces	0.0348 KG
Net weight per piece	0.0353 KG
Catalog page information	Page 370 (C-2-2013)

Product notes

WEEE/RoHS-compliant since: 01/01/2003



<http://www.download.phoenixcontact.com>
Please note that the data given here has been taken from the online catalog. For comprehensive information and data, please refer to the user documentation. The General Terms and Conditions of Use apply to Internet downloads.

Technical data	
General	
Note	Order information Order crimp contacts 6 x Ø 2 mm separately
Type of locking	Screw locking
Coding	N
Contact connection method	Crimp connection
Type of contacts	Male connector

Number of positions	6
Contact diameter of power contacts	2 mm
Nominal current per power contact at 25°C	30 A
Contact diameter of signal contacts	2 mm
Conductor entry	0 mm ... 0 mm
Mounting type	4xØ3,2

Ambient conditions

Ambient temperature	-20 °C ... 125 °C
Degree of protection	IP67

Material

Housing material	Turned parts: copper zinc alloy (CuZn), die-cast parts: zinc (GD-Zn)
Insulator material	PA 66
Gasket and O-ring material	FPM

Specifications according to DIN EN 61984:2001

Installation height max.	3000 m
Nominal / operating voltage of power contacts	630 V
Rated surge voltage of power contacts	6 kV
Surge voltage category of power contacts	III
Pollution degree of power contacts	3
Rated surge voltage of signal contacts	4 kV
Surge voltage category of signal contacts	III
Pollution degree of signal contacts	3

Certificates / Approvals



Certification

cULus Recognized

Certifications applied for:

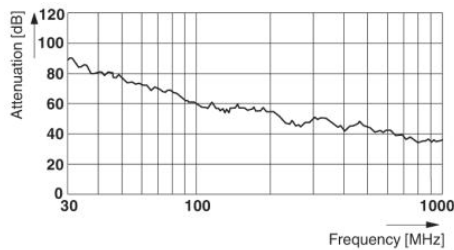
Certification Ex:

Accessories

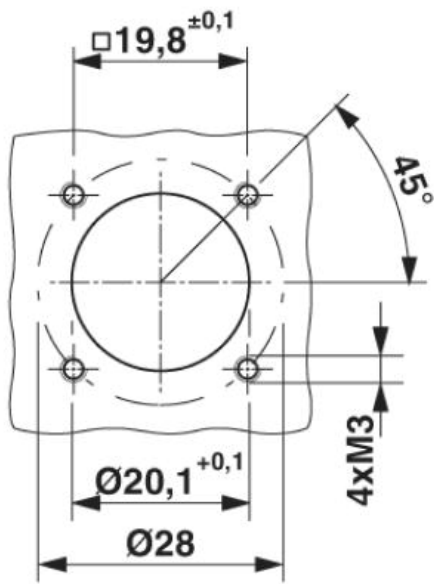
Item	Designation	Description
General		
1604225	RC-Z2059	Plastic dust protection cap for connectors with M23 external thread
1611797	RC-Z2469	Plastic dust protection cap, anti-static, for RF, SF series connectors, with M23 external thread
1620624	RF-Z0017	Color-coding, Color: green
1620625	RF-Z0018	Color-coding, Color: orange
1620626	RF-Z0019	Color-coding, Color: black
1605456	SC-Z2319	Metal dust protection cap for power plugs with M23 external thread
1605457	SC-Z2320	Metal dust protection cap with steel wire for power plugs with M23 external thread
1607376	SF-20KP004	Crimp contact, turned, Contact diameter: 2 mm, Crimp range: 0.75 mm ² ...1.5 mm ²
1605626	SF-7MP2000	Crimp contact, turned, Single contact, Contact diameter: 2 mm, Crimp range: 4 mm ² ...4 mm ²
1605634	SF-7PP2000	Crimp contact, turned, Single contact, Contact diameter: 2 mm, Crimp range: 0.25 mm ² ...1 mm ²
1605639	SF-7QP2000	Crimp contact, turned, Single contact, Contact diameter: 2 mm, Crimp range: 1 mm ² ...2.5 mm ²
1605646	SF-7RP2000	Crimp contact, turned, Single contact, Contact diameter: 2 mm, Crimp range: 0.14 mm ² ...0.25 mm ²
1607449	SF-Z0019	Plastic dust protection cap with IP40 eye for connectors with M23 external thread, RF, SF series

Drawings

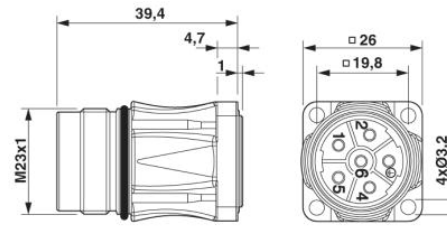
Diagram



Dimensioned drawing



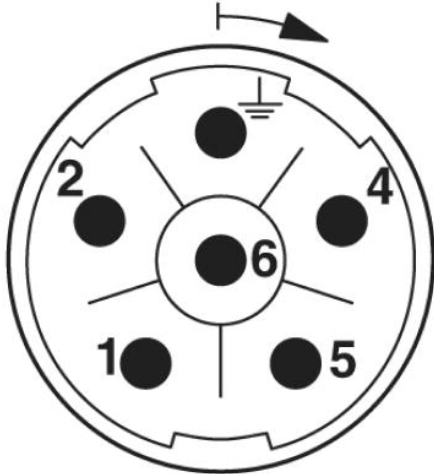
Installation dimensions



Dimensional drawing

Schematic diagram

Connector pin assignment



Address

PHOENIX CONTACT Deutschland GmbH
Flachmarktstr. 8
32825 Blomberg, Germany
Phone +49 5235 3 12000
Fax +49 5235 3 41200
<http://www.phoenixcontact.com>



© 2014 Phoenix Contact
Technical modifications reserved;