



Mono 72

- High output siren sound (120dB)
- Rugged construction for use in all environments
- Low voltage DC and high voltage AC for use in all applications
- Weatherproof to IP65
- Mounting bracket for ease of installation

The Mono 72 is a powerful motor driven siren producing a clear high output siren sound.

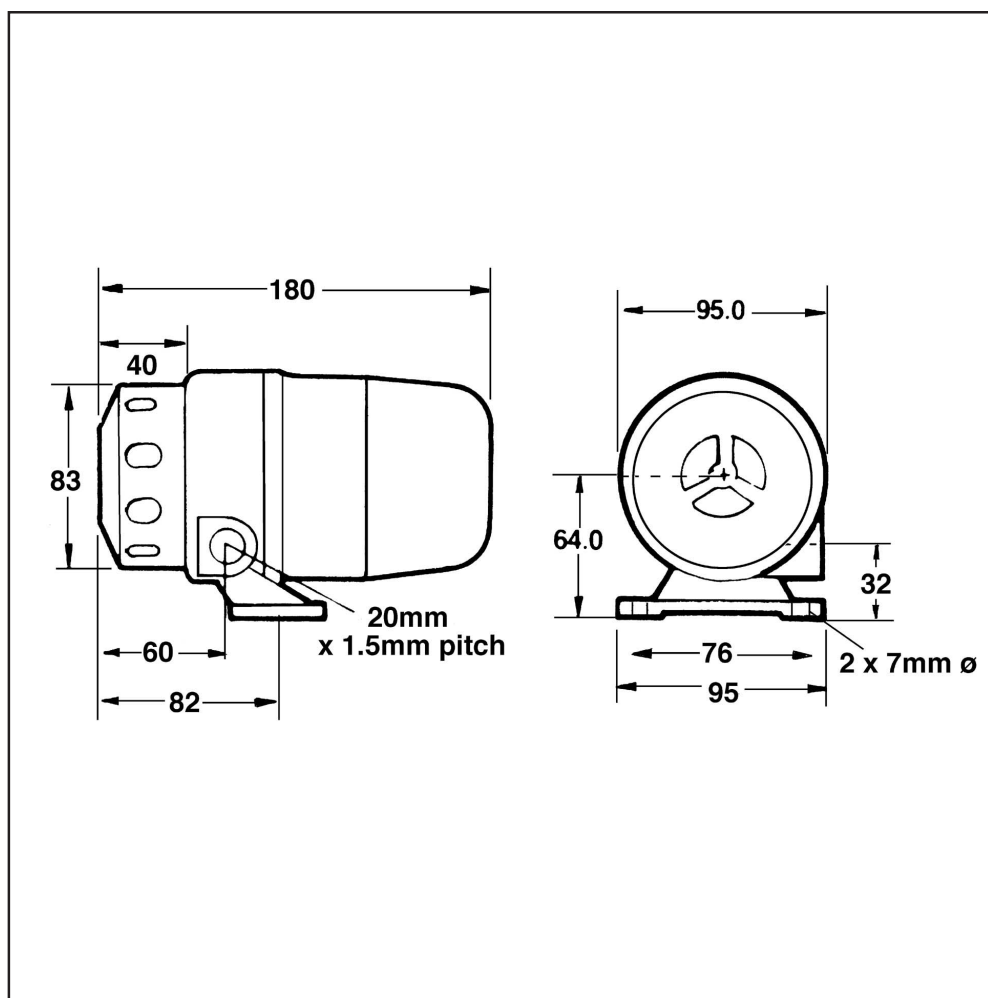
With its weatherproof design, it can be used both indoors and outdoors for security, fire alarm, process control alarm and general safety warning.

Having a rugged construction, it can be used in arduous conditions including mining and quarrying applications and has a continuous rating and long life.

Applications

- Conveyor alarm
- Fire and security alarms
- Process control alarm
- General safety warning
- Vehicle alarm

Fire	✓	Industrial	✓	Hazardous Area	✗
Security	✓	Railway/Marine	✗	Public Warning	✗



Part No.	Colours	Audibility at 1m	Tones	Voltage	Current
18-980200	Red/Black	120dB (A) ±3dB	1	12V DC	9.0A
18-980201	Red/Black	120dB (A) ±3dB	1	24V DC	4.6A
18-980203	Red/Black	120dB (A) ±3dB	1	110V AC/DC	1.0A
18-980205	Red/Black	120dB (A) ±3dB	1	230V AC/DC	0.46A

IP Rating: IP65
Rating: Continuous
Frequency: 1800Hz
Operating temp: -30°C to +45°C
Construction: Cast aluminium body, ABS rotor, stator and cover
Cable Entries: 1
Weight: 1.7kg