

LOC	DIST	REVISIONS					
A	66	P	LTR	DESCRIPTION	DATE	DWN	APVD
			A1	SEE PRODUCT DRAWING	-	-	-


SEE PRODUCTION DRAWING  
1852624

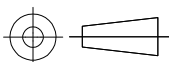
THIS DRAWING IS UNPUBLISHED.

ALL INTERNATIONAL RIGHTS RESERVED.

BY TYCO ELECTRONICS CORPORATION.

© COPYRIGHT

DIMENSIONS: INCHES	DWN	19AUG2010	MATERIAL	-	FINISH	-
	CHK	-	 Tyco Electronics Corporation Harrisburg, PA 17105-3608			
TOLERANCES UNLESS OTHERWISE SPECIFIED:	APVD	-				
0 PLC ± -	PRODUCT SPEC	-	NAME			
1 PLC ± -	APPLICATION SPEC	-	SIDE FEED HDM APPLICATOR			
2 PLC ± -			SIZE	CAGE CODE	DRAWING NO	RESTRICTED TO
3 PLC ± -			A4	00779	C-1852624	-
4 PLC ± -	WEIGHT	-	CUSTOMER DRAWING			
ANGLES ± -			SCALE	SHEET	REV	
			1:1	1 OF 1	A1	



# Mouser Electronics

Authorized Distributor

Click to View Pricing, Inventory, Delivery & Lifecycle Information:

[TE Connectivity:](#)

[1852624-2](#)