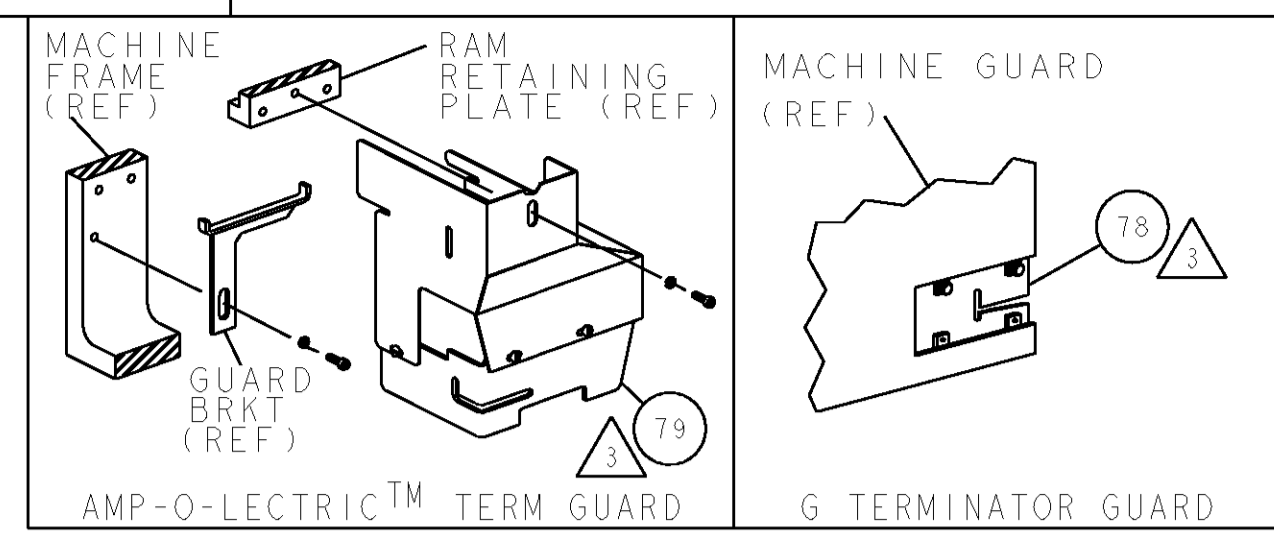


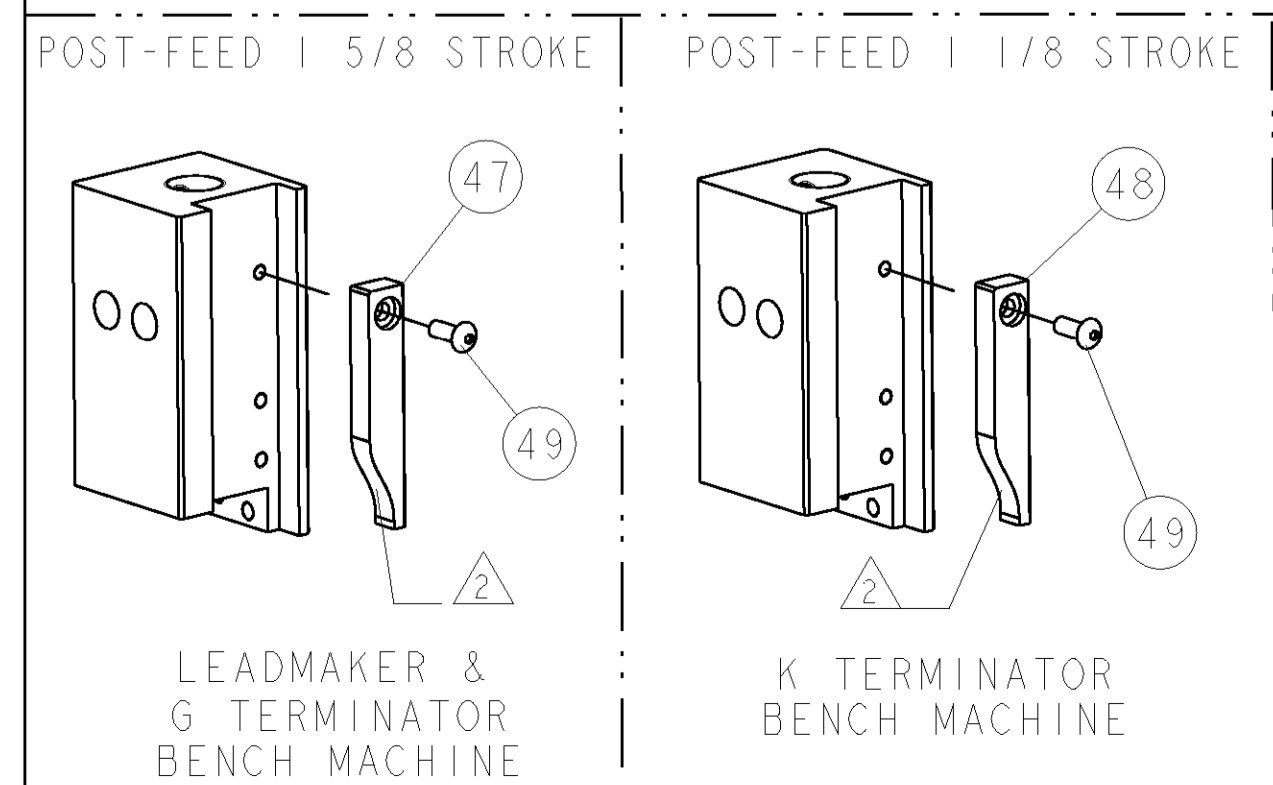
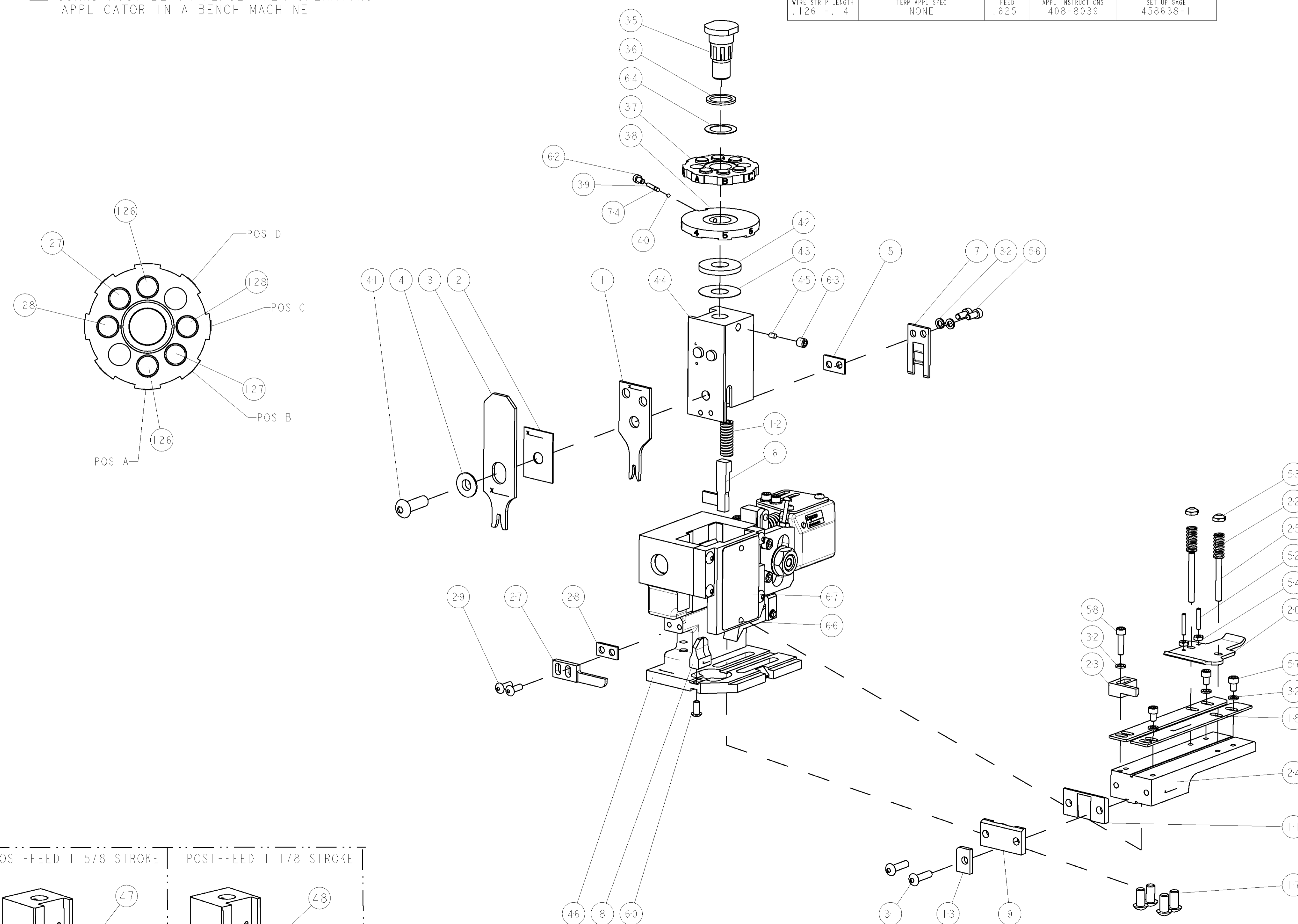
PART NUMBER	REV	FIRST USED	POWER UNIT	FEED TYPE
1852463-1	A	122500-1	LEADMAKER & BENCH MODEL G	POST FEED
1852463-2	A	565435-5	BENCH MODEL K	POST FEED
7-1852463-7	A	-	SPARE PARTS	-



TERMINAL NAME: GWH/LEAR FAST ON TERMINAL			
TYCO PN	MFR PN	GWH/LEAR TERMINAL - AMP CRIMP SPECS	
1949347-1	26365-213-011		
		CRIMP HEIGHT	WIRE SIZE
-	-	A .050±.002 [1.27±0.05mm]	16AWG
-	-	B .042±.002 [1.07±0.05mm]	18AWG
-	-	C .037±.002 [0.94±0.05mm]	20AWG
-	-	D -	-
		CRIMP	SIZE TYPE RANGE
-	-	WIRE	.080 [2.03mm] F 20-16 AWG
-	-	INSUL	.125 [3.18mm] F ∅.100 MAX
WIRE STRIP LENGTH	TERM APPL SPEC	FEED	APPL INSTRUCTIONS
.126 -.141	NONE	.625	408-8039
			SET UP GAGE 458638-1

LOC	DIST	REV	DESCRIPTION	DATE	DWN	APPR
A	66		RELEASED	16APR2007	BH	BH

- △ RECOMMENDED SPARE PARTS
- △ GREASE LIGHTLY
- △ GUARD MUST BE IN PLACE WHEN OPERATING APPLICATOR IN A BENCH MACHINE



-	2	2	-	354779-8	PIN, WIRE DISC, .3030	128
-	2	2	-	9-354778-6	PIN, WIRE DISC, .2975	127
-	2	2	-	7-354778-9	PIN, WIRE DISC, .2890	126
-	REF	-	-	455745-1	GUARD WINDOW	79
-	-	REF	-	679532-1	INSERT, GUARD	78
-	1	1	-	690603-1	SPRING ASSIST AMP-O-MATOR APPLICATOR	74
-	1	1	-	217238-1	GENERAL INSTRUCTION PKG	72
-	1	1	-	4088039	EF APPL INST 408-8039	71
-	1	1	-	461264-1	PLATE, IDENTIFICATION	67
-	2	2	-	21017-2	SCREW, DRIVE	66
-	1	1	-	986950-1	WASHER, FLAT PRECISION	64
-	1	1	-	21009-2	SCR, SET, SELF LOCKING 1/4-20 X .250	63
-	1	1	-	23030-1	SCR, SKT HD CAP 6-32 X .25	62
-	1	1	-	22733-8	SCR, BHSC, SELF-LOCKING, 8-32 X .375	60
-	1	1	-	2-21000-8	SCR, SKT HD CAP 8-32 X .625	58
-	3	3	-	2-21000-5	SCR, SKT HD CAP 8-32 X .250	57
-	2	2	-	2-21000-6	SCR, SKT HD CAP 8-32 X .375	56
-	2	2	-	21018-4	NUT, HEX, REG 4-40	54
-	2	2	-	21022-2	NUT, LOCK, HEX, TORQUE, 8-32	53
-	2	2	-	2-21006-6	SCR, SET, CUP POINT 4-40 X .625	52
-	1	1	-	1-21002-7	SCR, BTN SKT CAP 6-32 X .375	49
-	1	-	-	690501-3	CAM, POST FEED, 1 1/8	48
-	-	1	-	690501-4	CAM, POST FEED, 1 5/8	47
-	1	1	-	458980-1	SUB ASSY, APPLICATOR FRAME	46
-	1	1	-	690191-1	PLUG, NYLON	45
-	1	1	-	455674-1	RAM	44
-	1	1	-	690125-1	SHIM SUB-ASSY	43
-	1	1	-	690124-4	WASHER, RAM (.135)	42
-	1	1	-	7-21002-9	SCR, BTN SKT HD CAP 5/16-24 X 1.00	41
-	1	1	-	23241-6	BALL, STEEL	40
-	1	1	-	690170-1	SPRING, COMPRESSION	39
-	1	1	-	690142-1	DISC, INSULATION	38
-	1	1	-	354777-1	WIRE DISC, ASSEMBLY	37
-	1	1	-	22480-5	SPRING, COMPRESSION	36
-	1	1	-	690212-1	POST, RAM	35
-	6	6	-	21024-4	WASHER, SPRG LOCK, REG NO 8	32
-	2	2	-	2-21002-9	SCR, BTN SKT HD CAP 10-32 X .750	31
-	2	2	-	2-21002-2	SCR, BTN SKT HD CAP 8-32 X .500	29
-	1	1	-	3-690451-2	SPACER, STRIPPER	28
-	1	1	-	240639-1	STRIPPER (MACHINING)	27
-	2	2	-	22354-8	STUD, THREADED	25
-	1	1	-	458803-8	PLATE, STRIP GUIDE, SLOTTED	24
-	1	1	-	240825-2	PLATE, STRIP HOLD DOWN	23
-	2	2	-	4-22281-1	SPRING, DRAG	22
-	1	1	-	454177-1	DRAG	20
-	2	2	-	454204-1	GUIDE, LOWER STRIP	18
-	4	4	-	3-21002-3	SCR, BTN SKT HD CAP 1/4-20 X .500	17
-	1	1	-	690481-9	SPACER, HOLD DOWN	13
-	1	1	-	23846-1	SPRING, DIE	12
-	1	1	-	240833-3	PLATE, REAR SHEAR	11
-	1	1	-	2-690496-5	PLATE, FRONT SHEAR	9
-	1	1	-	1-1633249-6	ANVIL, COMBINATION	8
-	1	1	-	4-690474-9	BLADE, SLUG	7
-	1	1	-	1-455892-2	HOLD DOWN, TERMINAL	6
-	1	1	-	3-240641-3	SPACER	5
-	1	1	-	238009-4	BLOCK, FL CRIMPER SPACER	4
-	1	1	-	4-1633471-7	CRIMPER, INSULATION F	3
-	1	1	-	455888-8	SPACER, CRIMPER	2
-	1	1	-	3-456405-4	CRIMPER, WIRE PREMIUM	1

ITEM NO	U/M	PART NO	DESCRIPTION
-77	-2	-1	U/M PART NO DESCRIPTION ITEM NO