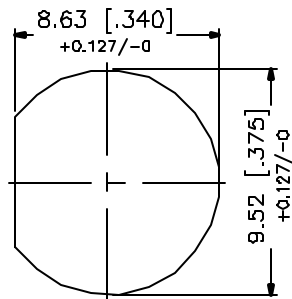
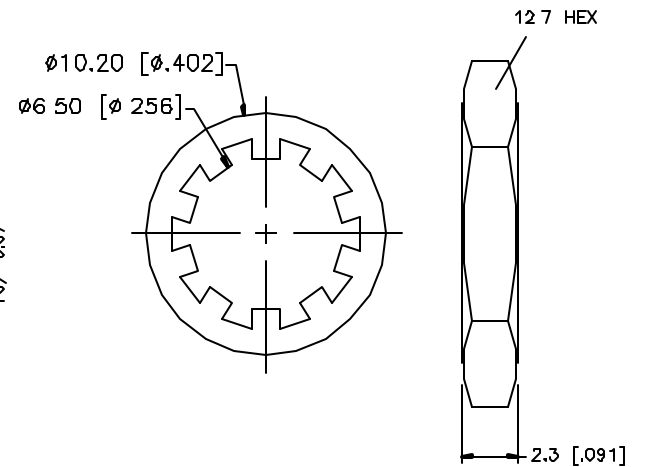
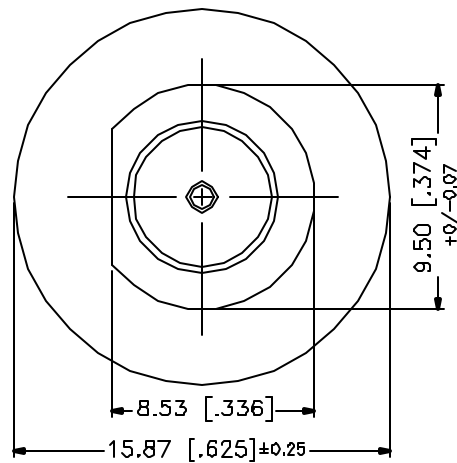
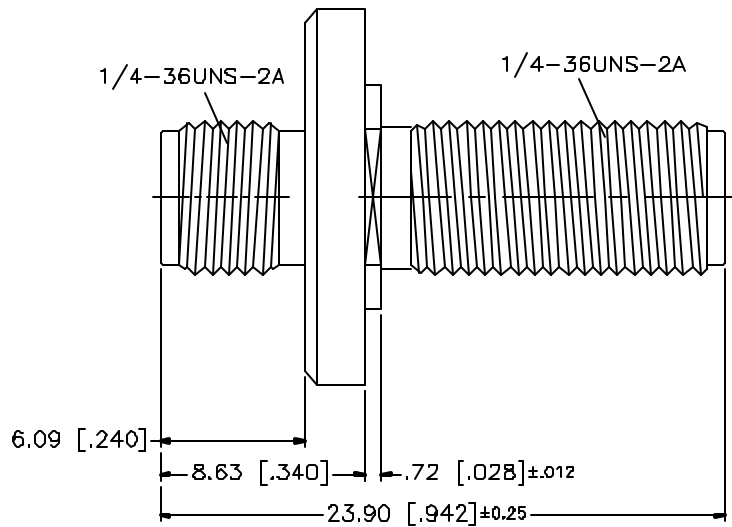


REV.	DATE	DESCRIPTION
NC	11/11/01	INITIAL RELEASE




RECOMMENDED  
MOUNTING HOLE



NOTES:

1 MAX PANEL THICKNESS = 5mm

DESCRIPTION	MATERIAL	FINISH	UNLESS OTHERWISE SPECIFIED DIMENSIONS ARE IN MILLIMETERS	APPROVALS	DATE					
1 BODY	BRASS	GOLD	DIMENSIONS IN [ ] ARE IN INCHES FOR CUSTOMER REFERENCE ONLY  UNLESS OTHERWISE SPECIFIED TOLERANCES FOR MILLIMETERS ARE 0.5-6 = ± 0.2 6-30 = ± 0.4 30-120 = ± 0.6 120-315 = ± 1 315-1000 = ± 1.8 1000-2000 = ± 2.4	DRAWN	G.R.S.	11/11/01	TITLE			
2 INSULATOR	TEFLON	NATURAL		CHECKED			SMA BULKHEAD FEMALE TO FEMALE ADAPTOR			
3 CONTACT PIN	BER. COPPER	GOLD		ISSUED			SIZE	FSCM NO.	DWG. NO.	REV.
4 LOCK WASHER	BRASS	GOLD					A	99001	132170-11.DWG	NC
5 HEX NUT	BRASS	GOLD					SCALE	PART NO.	SHEET	
6							NA	132170-11	1 OF 1	
7										
8				DO NOT SCALE DRAWING						

# Mouser Electronics

Authorized Distributor

Click to View Pricing, Inventory, Delivery & Lifecycle Information:

[Amphenol:](#)

[132170-11](#)