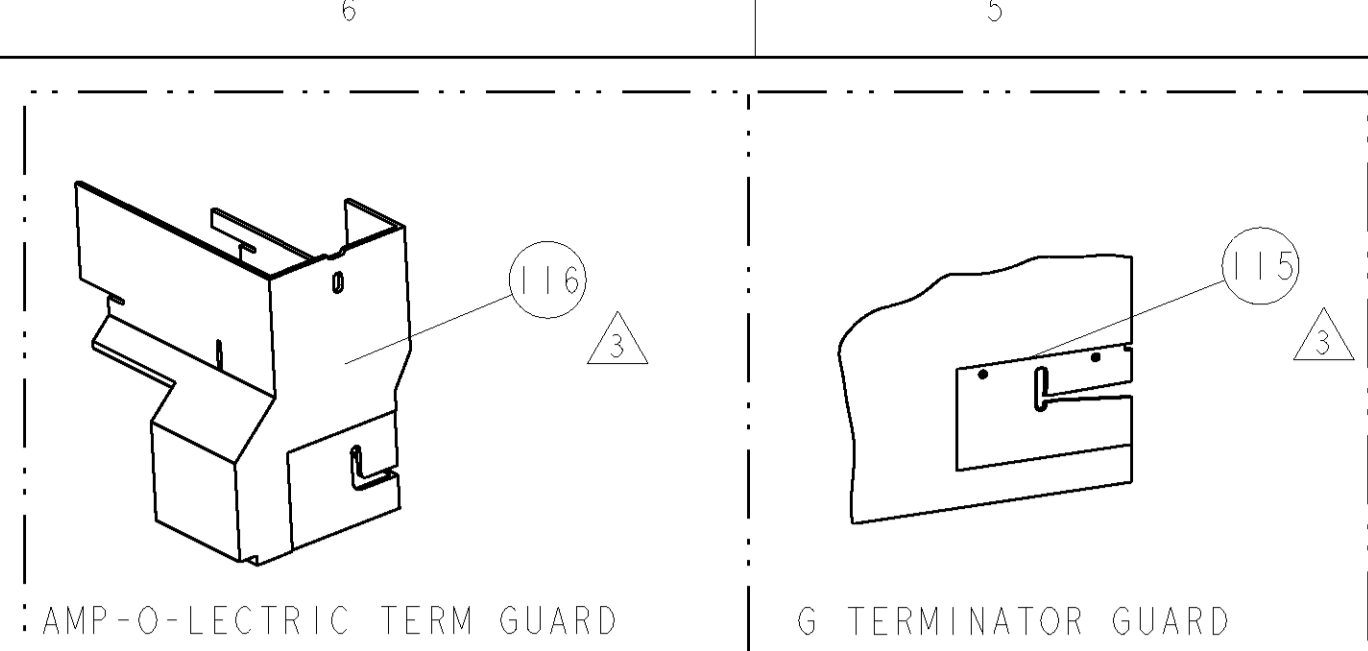


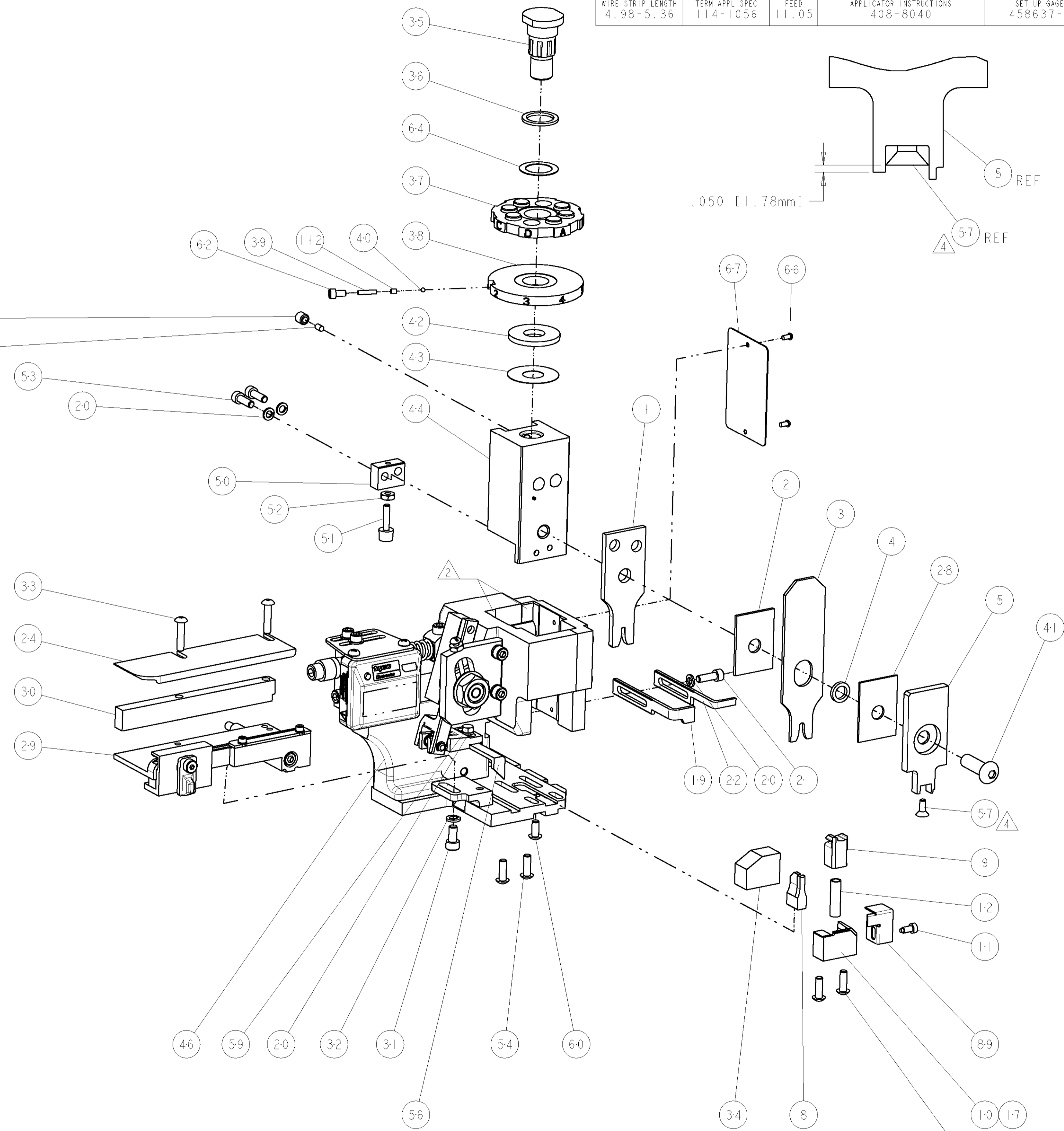
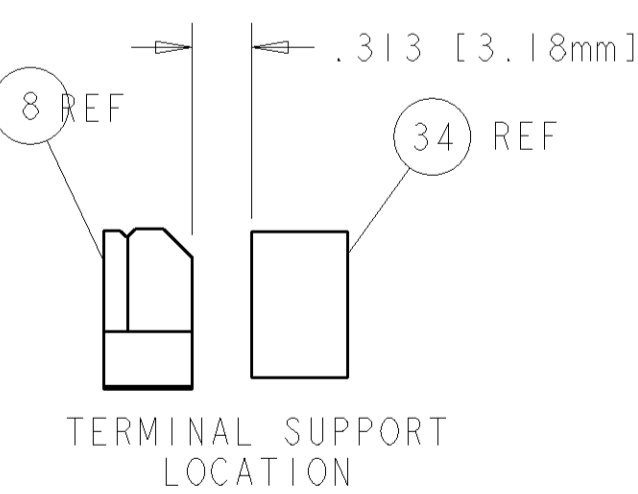
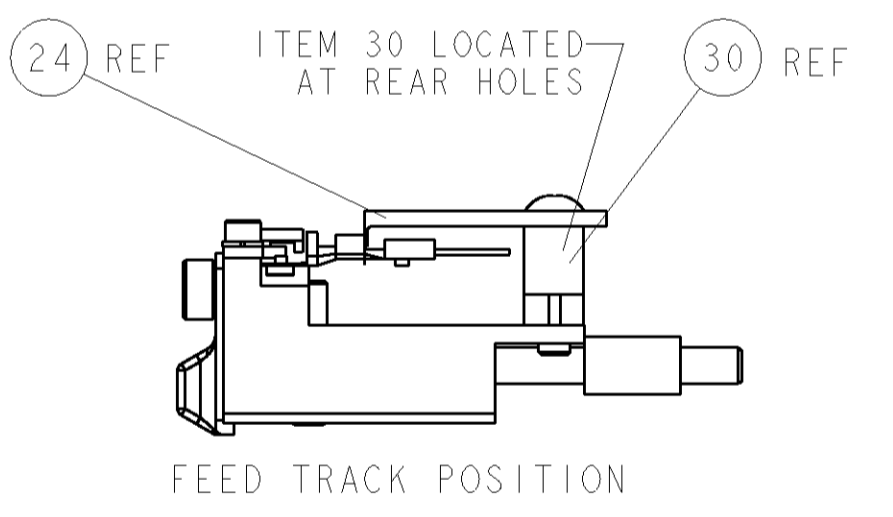
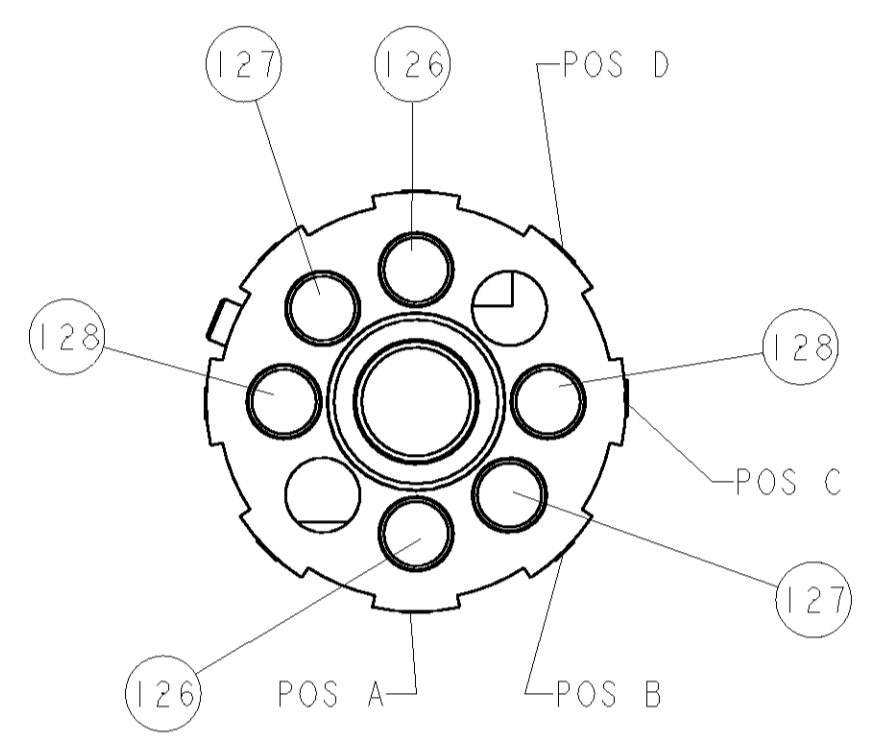
PART NUMBER	REV	FIRST USED	POWER UNIT	FEED TYPE	DESCRIPTION
1852450-1	A	122500-1	LEADMAKER	POST FEED	CUTS CARRIER
1852450-2	A	565435-5	BENCH MODEL K	PRE FEED	CUTS CARRIER
1852450-3	A	354500-1	BENCH MODEL G	PRE FEED	CUTS CARRIER
1852450-6	A	122500-1	LEADMAKER	POST FEED	CONTINUOUS CARRIER
7-1852450-7	A	-	-	-	SPARE PARTS



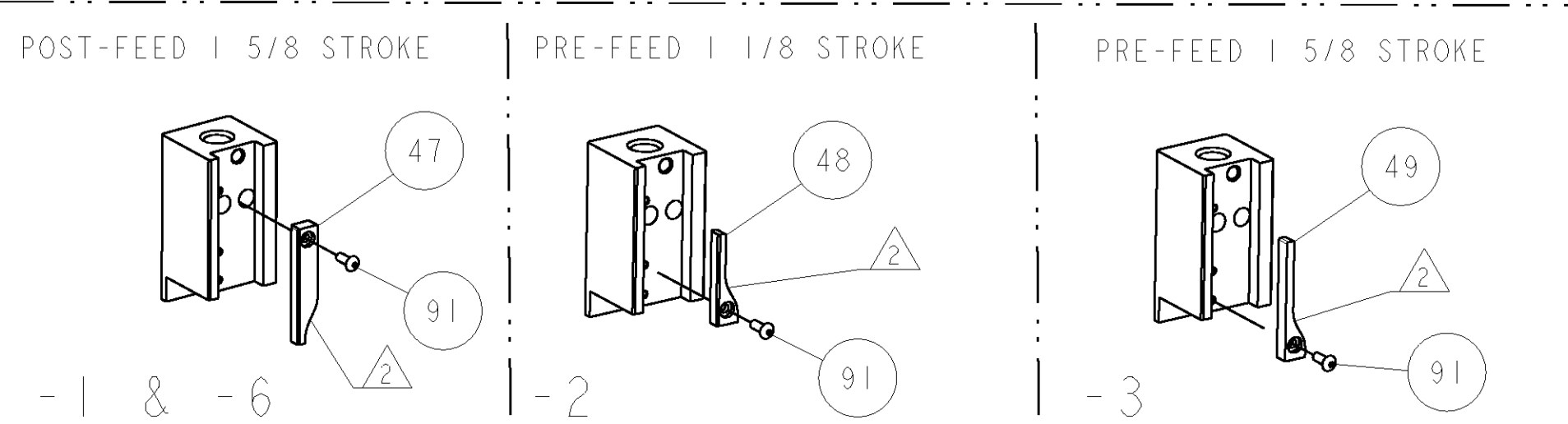
TYCO PN		MANUF PN		YAZAKI TERMINAL - YAZAKI CRIMP SPECS	
1832587	7114-4103-08				
		PAD LTR		CRIMP HEIGHT	WIRE SIZE
		A		1.25±0.05mm [ .049±.002 ]	16AWG or 1.25mm2
		B		1.25±0.05mm [ .049±.002 ]	1mm2
		C		1.20±0.05mm [ .047±.002 ]	18AWG or 0.85mm2
		D		-	-
		CRIMP		SIZE	TYPE
				2.18mm [ .086 ]	F
		INSUL		3.45mm [ .136 ]	O
				Ø 1.63-2.40mm	
SEAL PN					
286814-1	7158-3031-90	WIRE		2.18mm [ .086 ]	F
WIRE STRIP LENGTH	TERM APPL SPEC	FEED	APPLICATOR INSTRUCTIONS	SET UP GAGE	
4.98-5.36	114-1056	11.05	408-8040	458637-1	

LOC	DIST	REV	DESCRIPTION	DATE	DWN	APPR
A	66		RELEASED	04APR2007	BH	BH

- △ RECOMMENDED SPARE PARTS
- △ GREASE LIGHTLY
- △ GUARD MUST BE IN PLACE WHEN OPERATING APPLICATOR IN A BENCH MACHINE
- △ APPLY TORQ-SEAL IN ALLEN SOCKET TO FILL HOLE AFTER FLAT HD HAS BEEN ADJUSTED TO CORRECT HEIGHT AT QUALIFICATION. APPLY PN 1-23419-5 LOC-TITE TO THREADS.
- △ THIS APPLICATOR APPLIES A TERMINAL W/A SEAL



-	2	2	2	2	-	3-354779-5	PIN, WIRE DISC, .3165	128
-	2	2	2	2	-	3-354779-0	PIN, WIRE DISC, .3140	127
-	2	2	2	2	-	3-354779-2	PIN, WIRE DISC, .3150	126
-	-	-	REF	-	..	455749-1	GUARD WINDOW	116
-	-	REF	-	-	..	679532-1	INSERT, GUARD	115
-	1	1	1	1	-	690603-1	SPRING ASSIST AMP-O-MATOR APPLICATOR	112
-	1	1	1	1	-	1-21002-7	SCR, BTN SKT HD CAP 6-32 X .375	91
-	1	1	1	1	-	318563-1	GUARD, FRONT CHIP	89
-	1	1	1	1	-	4088040	SF APPL INST 408-8040	72
-	1	1	1	1	-	217238-1	GENERAL INSTRUCTION PKG	71
-	1	1	1	1	-	461264-1	PLATE, IDENTIFICATION	67
-	2	2	2	2	-	21017-2	SCREW, DRIVE	66
-	1	1	1	1	-	986950-1	WASHER, FLAT PRECISION	64
-	1	1	1	1	-	21009-2	SCR, SET, SELF LOCKING 1/4-20 X .250	63
-	1	1	1	1	-	23030-1	SCR, SKT HD CAP 6-32 X .25	62
-	1	1	1	1	-	22733-8	SCR, BHSC, SELF-LOCKING, 8-32 X .375	60
-	1	1	1	1	-	2-22603-0	SCR, HEX HD CAP 8-32 X .312	59
-	1	1	1	1	-	1-21003-9	SCR, FLT SKT HD CAP 6-32 X .375	57
-	1	1	1	1	-	458537-2	PAWL, FEED	56
-	4	4	4	4	-	2-21002-2	SCR, BTN SKT HD CAP 8-32 X .500	54
-	2	2	2	2	-	2-21000-7	SCR, SKT HD CAP 8-32 X .500	53
-	1	1	1	1	-	21018-5	NUT, HEX, REG 6-32	52
-	1	1	1	1	-	811242-2	BUMPER, HOLD DOWN	51
-	1	1	1	1	-	690753-1	SPACER, TONKER	50
-	-	-	-	-	..	690602-6	CAM, PRE FEED, 1 5/8	49
-	-	-	-	-	..	690602-5	CAM, PRE FEED, 1 1/8	48
-	1	-	-	-	-	690501-4	CAM, POST FEED, 1 5/8	47
-	1	1	1	1	-	459456-1	APPL. BASIC SUB ASSY (SIDE WISE MOCA)	46
-	1	1	1	1	-	690191-1	PLUG, NYLON	45
-	1	1	1	1	-	455673-1	RAM, SIDE FEED	44
-	1	1	1	1	-	690125-1	SHIM SUB-ASSY	43
-	1	1	1	1	-	690124-1	WASHER, RAM (.115)	42
-	1	1	1	1	-	7-21002-9	SCR, BTN SKT HD CAP 5/16-24 X 1.00	41
-	1	1	1	1	-	23241-6	BALL, STEEL	40
-	1	1	1	1	-	690170-1	SPRING, COMPRESSION	39
-	1	1	1	1	-	1-690142-0	DISC, INSULATION	38
-	1	1	1	1	-	354777-1	WIRE DISC, ASSEMBLY	37
-	1	1	1	1	-	22480-5	SPRING, COMPRESSION	36
-	1	1	1	1	-	690212-1	POST, RAM	35
-	1	1	1	1	-	690786-3	TERMINAL SUPPORT	34
-	2	2	2	2	-	2-21002-4	SCR, BTN SKT HD CAP 8-32 X .750	33
-	1	1	1	1	-	21024-5	WASHER, SPRG LOCK, REG NO 10	32
-	1	1	1	1	-	3-21000-4	SCR, SKT HD CAP 10-32 X .375	31
-	1	1	1	1	-	1320908-8	SPACER, STRIP GUIDE	30
-	1	1	1	1	-	1633091-5	ASSEMBLY, STRIP GUIDE	29
-	1	1	1	1	-	1-455888-0	SPACER, CRIMPER	28
-	1	1	1	1	-	1320928-1	PLATE, STRIP GUIDE	24
-	1	-	-	-	-	690472-2	STRIPPER	22
-	1	1	1	1	-	2-21000-7	SCR, SKT HD CAP 8-32 X .500	21
-	4	4	4	4	-	21024-4	WASHER, SPRG LOCK, REG NO 8	20
-	-	-	-	-	-	691353-1	STRIPPER	19
-	1	-	-	-	-	679625-2	SHEAR HOLDER, FRONT (NO CUT)	17
-	1	1	1	1	-	3-22280-3	SPRING, COMPRESSION	12
-	1	1	1	1	-	690461-2	STOP, SHEAR	11
-	-	-	-	-	-	1-690459-0	SHEAR HOLDER, FRONT	10
-	1	1	1	1	-	318707-2	FLOATING SHEAR, FRONT	9
-	1	1	1	1	-	1633535-8	ANVIL, COMBINATION	8
-	1	1	1	1	-	318701-1	DEPRESSOR, SHEAR	5
-	1	1	1	1	-	2-238011-2	BLOCK, CRIMPER SPACER	4
-	1	1	1	1	-	8-1583690-9	CRIMPER, INSUL O	3
-	1	1	1	1	-	1-455888-5	SPACER, CRIMPER	2
-	1	1	1	1	-	8-1633305-3	CRIMPER, WIRE PREMIUM	1



DIMENSIONS:		TOLERANCES UNLESS OTHERWISE SPECIFIED:		APPROVED:		DATE:		DESCRIPTION:		ITEM NO:	
INCHES		0 PLC	±	APPR	DATE	NAME	DATE	DESCRIPTION	ITEM NO		
		1 PLC	±0.1	CHK	DATE	NAME	DATE	DESCRIPTION	ITEM NO		
		2 PLC	±0.01	ENG	DATE	NAME	DATE	DESCRIPTION	ITEM NO		
		3 PLC	±0.001	DES	DATE	NAME	DATE	DESCRIPTION	ITEM NO		
		4 PLC	±0.0001	APP	DATE	NAME	DATE	DESCRIPTION	ITEM NO		
		ANGLES	±0.0001								
MATERIAL		FINISH		WEIGHT		SIZE	CAGE CODE	DRAWING NO	RESTRICTED TO		
						A1	00779	1852450			
CUSTOMER DRAWING				SCALE		SHEET		OF		REV	
				3:5		1		1		A	

CUSTOMER VIEWABLE ASSEMBLY