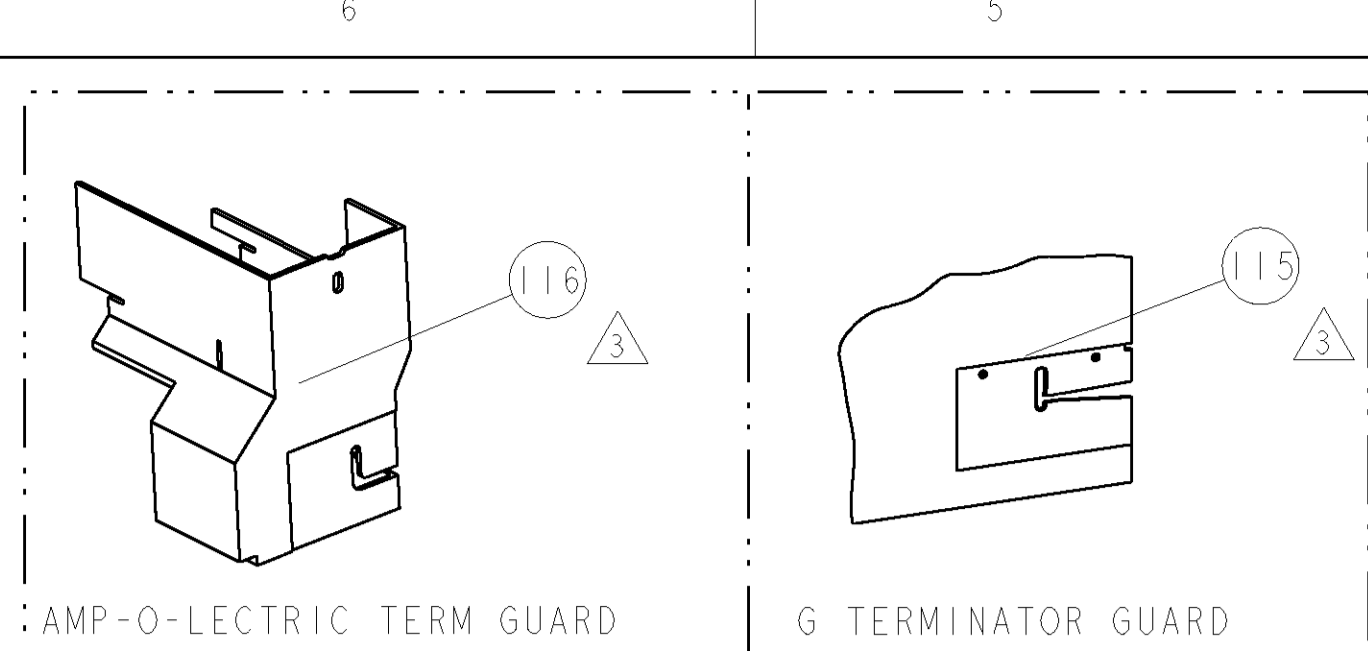


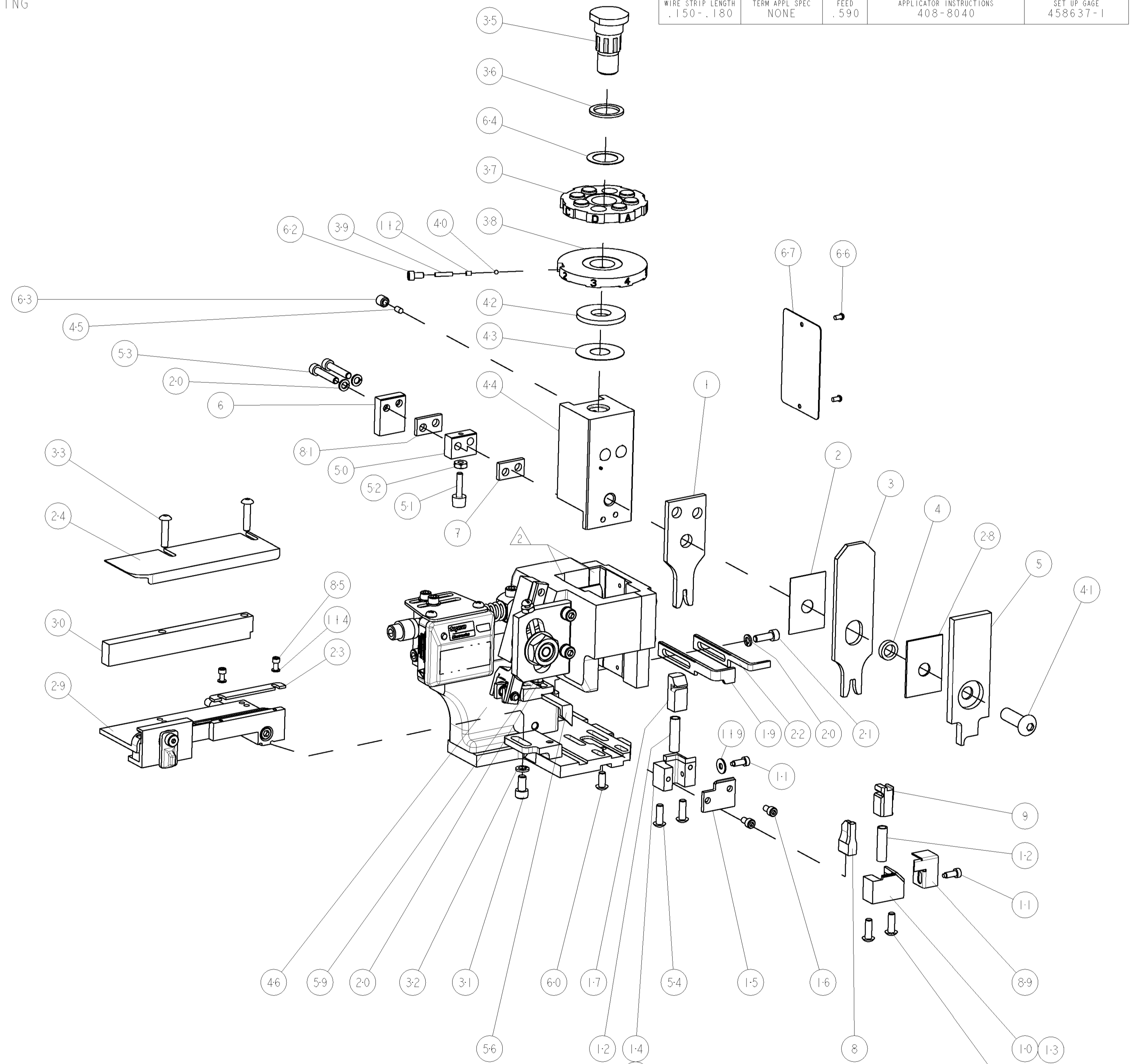
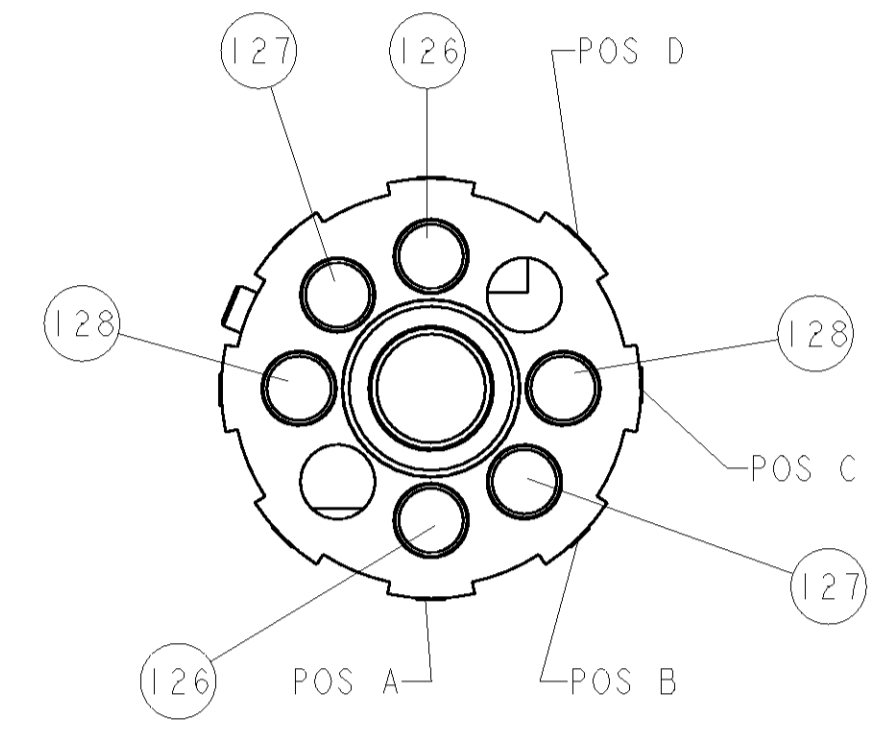
PART NUMBER	REV	FIRST USED	POWER UNIT	FEED TYPE	DESCRIPTION
1852515-1	A	122500-1	LEADMAKER	POST FEED	CUTS CARRIER
1852515-2	A	565435-5	BENCH MODEL K	PRE FEED	CUTS CARRIER
1852515-3	A	354500-1	BENCH MODEL G	PRE FEED	CUTS CARRIER
1852515-6	A	122500-1	LEADMAKER	POST FEED	CONTINUOUS CARRIER
7-1852515-7	A	-	-	-	SPARE PARTS



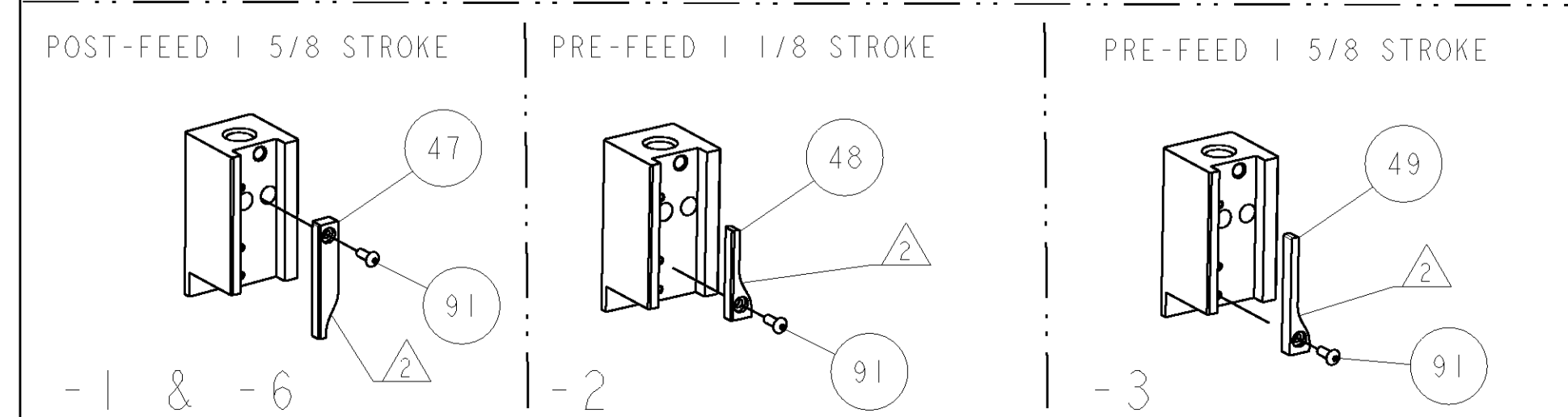
TE PN		MANU PN	ESSEX TERMINAL - ESSEX CRIMP SPECS	
1949432-1	-	521618-BB01-05	-	-
-	-	-	CRIMP HEIGHT	WIRE SIZE
-	-	A	.066±.002 [1.68±0.05mm]	16AWG
-	-	B	.062±.002 [1.57±0.05mm]	18AWG
-	-	C	.057±.002 [1.45±0.05mm]	20AWG
-	-	D	-	-
-	-	-	CRIMP	SIZE
-	-	-	WIRE	.090 [2.29mm]
-	-	-	INSUL	.155 [3.94mm]
-	-	-	FEED	.590
-	-	-	APPLICATOR INSTRUCTIONS	408-8040
-	-	-	SET UP GAGE	458637-1
WIRE STRIP LENGTH	TERM APPL SPEC	FEED	APPLICATOR INSTRUCTIONS	SET UP GAGE
.150-.180	NONE	.590	408-8040	458637-1

LOC	DIST	REV	DESCRIPTION	DATE	BY	APPD
A	66		RELEASED	08AUG2007	MEH	GB

- RECOMMENDED SPARE PARTS
- GREASE LIGHTLY
- GUARD MUST BE IN PLACE WHEN OPERATING APPLICATOR IN A BENCH MACHINE



-	2	2	2	2	-	2-354779-4	PIN, WIRE DISC, .3110	128
-	2	2	2	2	-	1-354779-5	PIN, WIRE DISC, .3065	127
-	2	2	2	2	-	354779-5	PIN, WIRE DISC, .3015	126
-	1	1	1	1	-	21055-5	WASHER, FLAT, REG NO 6	119
-	-	-	REF	-	..	455749-1	GUARD WINDOW	116
-	-	REF	-	-	..	679532-1	INSERT, GUARD	115
-	2	2	2	2	-	21024-2	WASHER, SPRG LOCK, REG NO 4	114
-	1	1	1	1	-	690603-1	SPRING ASSIST AMP-O-MATOR APPLICATOR	112
-	1	1	1	1	-	1-21002-7	SCR, BTN SKT HD CAP 6-32 X .375	91
-	1	1	1	1	-	318563-1	GUARD, FRONT CHIP	89
-	2	2	2	2	-	1-21000-3	SCR, SKT HD CAP 4-40 X .250	85
-	1	1	1	1	-	1-240641-6	SPACER	81
-	1	1	1	1	-	4088040	SF APPL INST 408-8040	72
-	1	1	1	1	-	217238-1	GENERAL INSTRUCTION PKG	71
-	1	1	1	1	-	461264-1	PLATE, IDENTIFICATION	67
-	2	2	2	2	-	21017-2	SCREW, DRIVE	66
-	1	1	1	1	-	986950-1	WASHER, FLAT PRECISION	64
-	1	1	1	1	-	21009-2	SCR, SET, SELF LOCKING 1/4-20 X .250	63
-	1	1	1	1	-	23030-1	SCR, SKT HD CAP 6-32 X .25	62
-	1	1	1	1	-	22733-8	SCR, BHSC, SELF-LOCKING, 8-32 X .375	60
-	1	1	1	1	-	2-22603-0	SCR, HEX HD CAP 8-32 X .312	59
-	1	1	1	1	-	458537-2	PAWL, FEED	56
-	1	-	-	-	-	681023-1	SHEAR HOLDER, REAR	55
-	4	4	4	4	-	2-21002-2	SCR, BTN SKT HD CAP 8-32 X .500	54
-	2	2	2	2	-	3-21000-0	SCR, SKT HD CAP 8-32 X .875	53
-	1	1	1	1	-	21018-5	NUT, HEX, REG 6-32	52
-	1	1	1	1	-	811242-2	BUMPER, HOLD DOWN	51
-	1	1	1	1	-	690753-1	SPACER, TONKER	50
-	-	-	-	-	..	690602-6	CAM, PRE FEED, 1/8	49
-	-	-	-	-	..	690602-5	CAM, PRE FEED, 1/8	48
-	1	-	-	-	-	690501-4	CAM, POST FEED, 1/8	47
-	1	1	1	1	-	459456-2	APPL. BASIC SUB ASSY (SIDE WISE MQCA)	46
-	1	1	1	1	-	690191-1	PLUG, NYLON	45
-	1	1	1	1	-	455673-1	RAM, SIDE FEED	44
-	1	1	1	1	-	690125-1	SHIM SUB-ASSY	43
-	1	1	1	1	-	690124-1	WASHER, RAM (.115)	42
-	1	1	1	1	-	7-21002-9	SCR, BTN SKT HD CAP 5/16-24 X 1.00	41
-	1	1	1	1	-	23241-6	BALL, STEEL	40
-	1	1	1	1	-	690170-1	SPRING, COMPRESSION	39
-	1	1	1	1	-	690142-1	DISC, INSULATION	38
-	1	1	1	1	-	354777-1	WIRE DISC, ASSEMBLY	37
-	1	1	1	1	-	22480-5	SPRING, COMPRESSION	36
-	1	1	1	1	-	690212-1	POST, RAM	35
-	2	2	2	2	-	2-21002-4	SCR, BTN SKT HD CAP 8-32 X .750	33
-	1	1	1	1	-	21024-5	WASHER, SPRG LOCK, REG NO 10	32
-	1	1	1	1	-	3-21000-4	SCR, SKT HD CAP 10-32 X .375	31
-	1	1	1	1	-	1-1320908-0	SPACER, STRIP GUIDE	30
-	1	1	1	1	-	1-1633091-7	ASSEMBLY, STRIP GUIDE	29
-	1	1	1	1	-	1-455888-0	SPACER, CRIMPER	28
-	1	1	1	1	-	1320928-6	PLATE, STRIP GUIDE	24
-	1	1	1	1	-	693855-1	FRONT STRIP GUIDE	23
-	1	-	-	-	-	690472-2	STRIPPER	22
-	1	1	1	1	-	2-21000-7	SCR, SKT HD CAP 8-32 X .500	21
-	4	4	4	4	-	21024-4	WASHER, SPRG LOCK, REG NO 8	20
-	-	-	-	-	-	691353-1	STRIPPER	19
-	1	1	1	1	-	690463-1	FLOATING SHEAR, REAR	17
-	2	2	2	2	-	1-21000-8	SCR, SKT HD CAP 6-32 X .250	16
-	1	1	1	1	-	1-690691-4	PLATE, REAR SHEAR	15
-	-	-	-	-	-	690462-1	SHEAR HOLDER, REAR	14
-	1	-	-	-	-	679625-1	SHEAR HOLDER, FRONT (NO CUT)	13
-	2	2	2	2	-	3-22280-3	SPRING, COMPRESSION	12
-	2	2	2	2	-	690461-1	STOP, SHEAR	11
-	-	-	-	-	..	690459-1	SHEAR HOLDER, FRONT	10
-	1	1	1	1	-	454276-1	FLOATING SHEAR, FRONT	9
-	1	1	1	1	-	8-1633117-6	ANVIL, COMBINATION	8
-	1	1	1	1	-	240641-7	SPACER	7
-	1	1	1	1	-	1-690468-5	DEPRESSOR SHEAR, REAR	6
-	1	1	1	1	-	1-455889-4	DEPRESSOR, SHEAR	5
-	1	1	1	1	-	238011-2	BLOCK, CRIMPER SPACER	4
-	1	1	1	1	-	3-456134-6	CRIMPER, INSULATION F PREMIUM	3
-	1	1	1	1	-	455888-3	SPACER, CRIMPER	2
-	1	1	1	1	-	1-456406-5	CRIMPER, WIRE PREMIUM	1



DIMENSIONS:		TOLERANCES UNLESS OTHERWISE SPECIFIED:	
INCHES	0 PLC	±	
	1 PLC	±0.1	
	2 PLC	±0.01	
	3 PLC	±0.001	
	4 PLC	±0.0001	
	ANGLES	±0.001	

DATE	09 JUL 2007	APPD	CLIFFORD
CHK	ELBLIN	NAME	ELBLIN
PRODUCT SPEC		APPLICATION SPEC	
SIZE	A1	CAGE CODE	00779
DRAWING NO	1852515	SCALE	3:5
RESTRICTED TO		SHEET	1 OF 1
REV	A	REV	A

CUSTOMER VIEWABLE ASSEMBLY