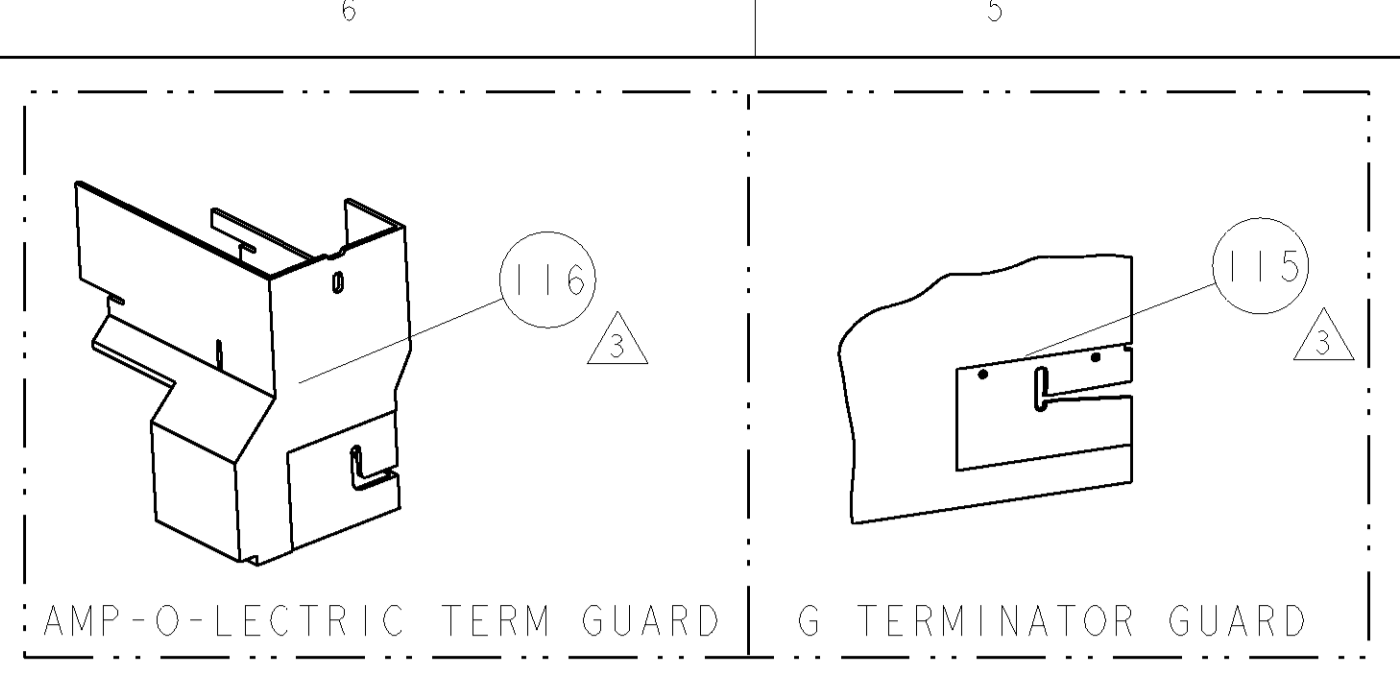


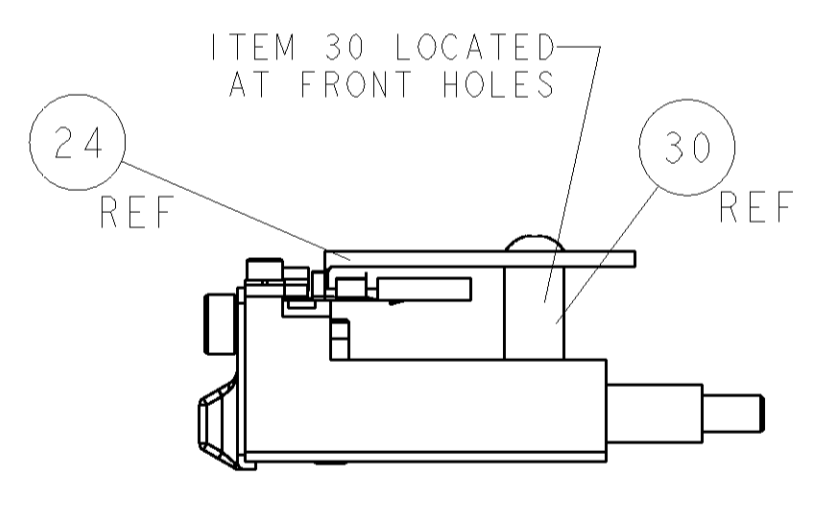
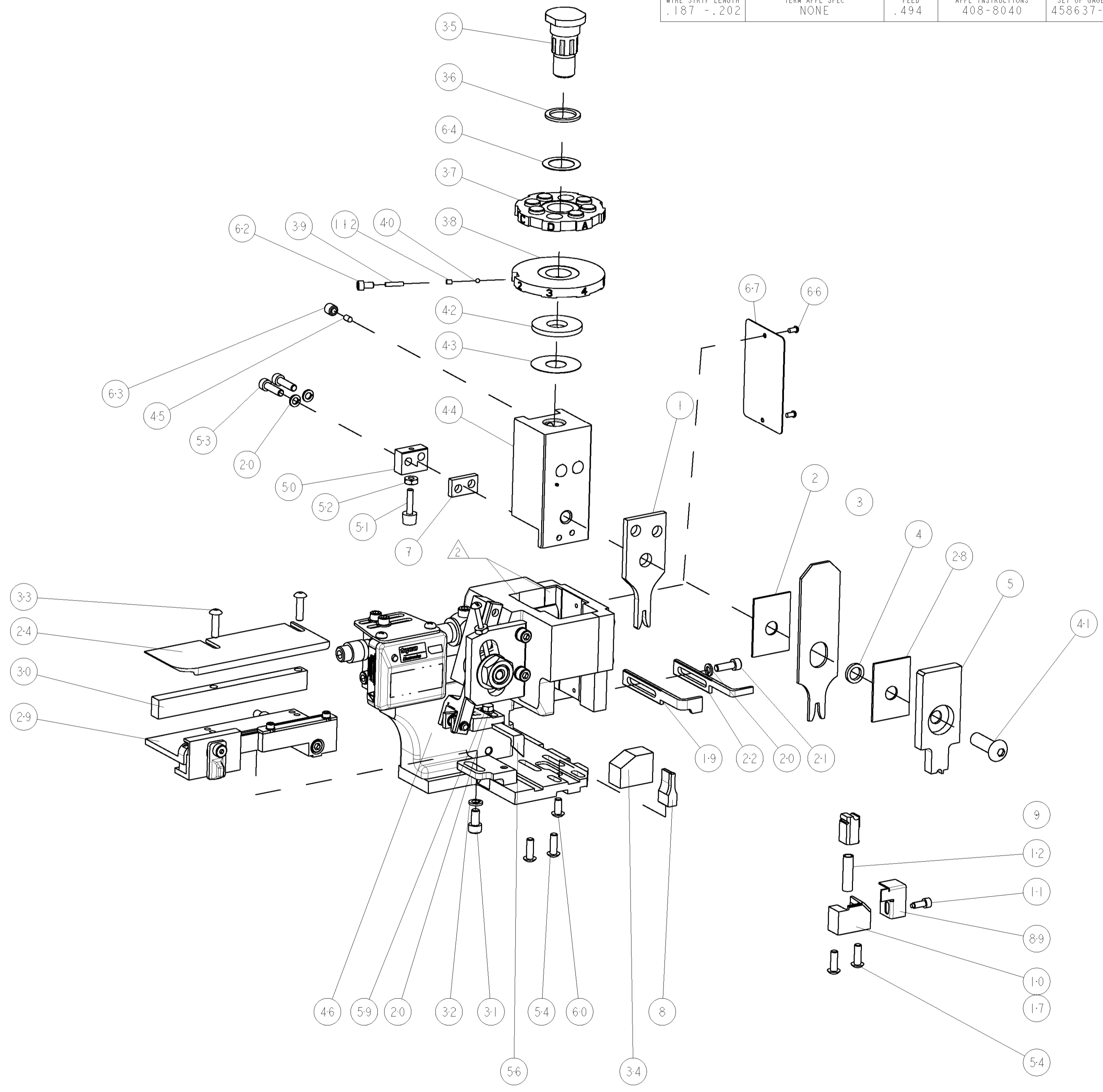
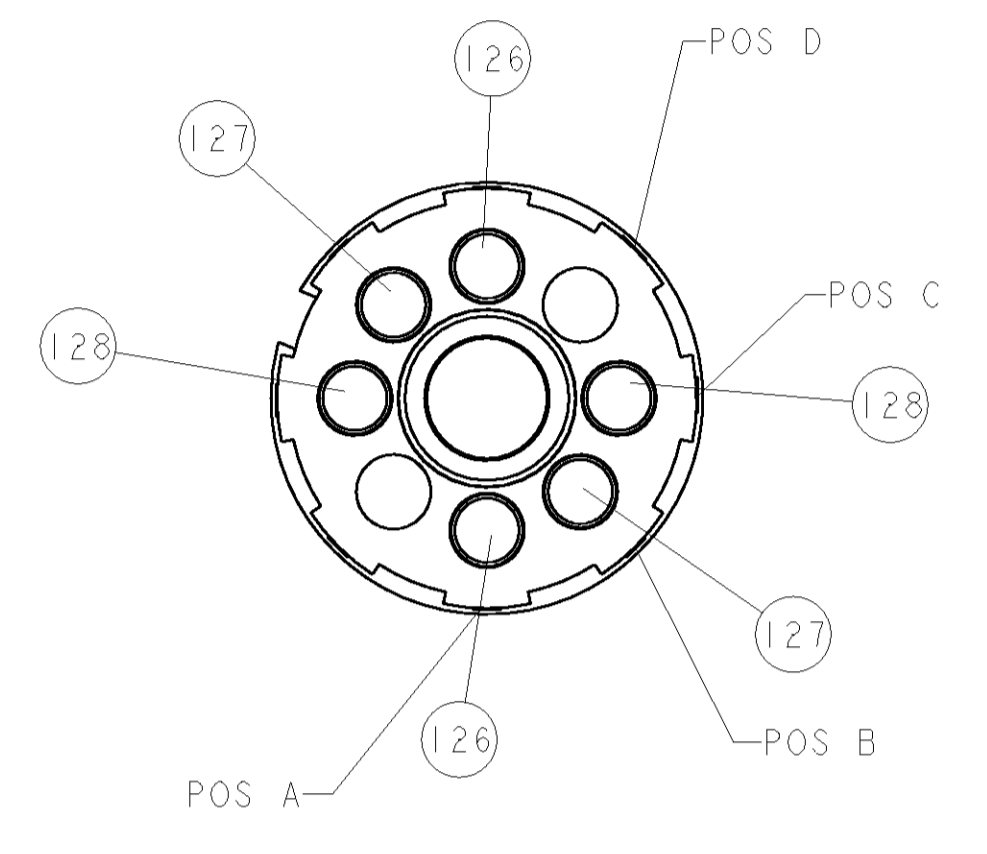
| PART NUMBER | REV | FIRST USED | POWER UNIT | FEED TYPE | DESCRIPTION |
|-------------|-----|------------|---------------|-----------|--------------------|
| 1852242-1 | A | 122500-1 | LEADMAKER | POST FEED | CUTS CARRIER |
| 1852242-2 | A | 565435-5 | BENCH MODEL K | PRE FEED | CUTS CARRIER |
| 1852242-3 | A | 354500-1 | BENCH MODEL G | PRE FEED | CUTS CARRIER |
| 1852242-6 | A | 122500-1 | LEADMAKER | POST FEED | CONTINUOUS CARRIER |
| 7-1852242-7 | A | - | - | - | SPARE PARTS |



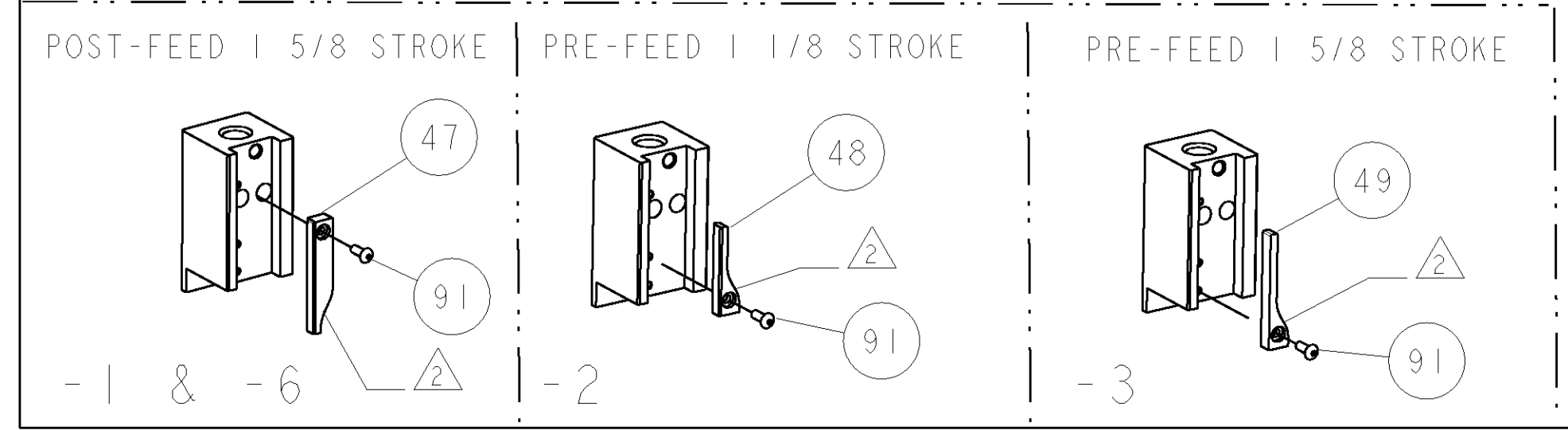
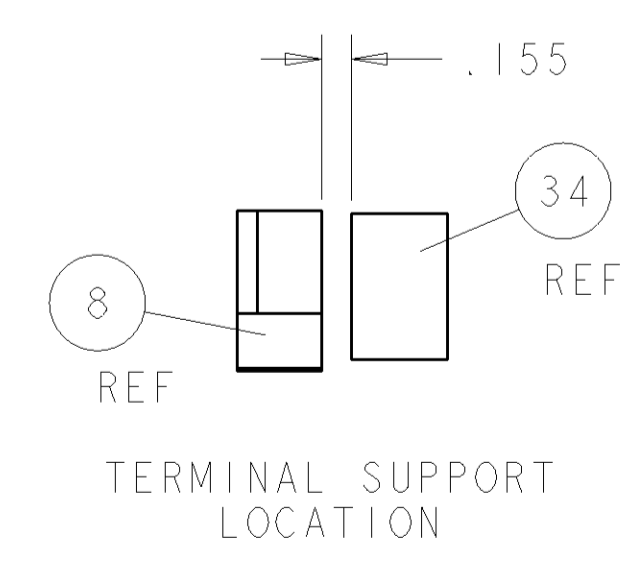
| TERMINAL NAME: HE090 TYPE TERMINAL, FEMALE M | | | | |
|--|-----------|--|-------------------------|-----------|
| TYCO PN | COMP PN | SUMITOMO TERMINAL-SUMITOMO CRIMP SPECS | | |
| 1832247 | 8100-1472 | | | |
| | | PAD LTR | CRIMP HEIGHT | WIRE SIZE |
| - | - | A | 1.40±0.05mm [.055±.002] | 1.25mm |
| - | - | B | 1.20±0.05mm [.047±.002] | 0.85mm |
| - | - | C | 1.10±0.05mm [.043±.002] | 0.5mm |
| - | - | D | - | - |
| | | CRIMP | SIZE | TYPE |
| - | - | - | .080 [.203mm] | F |
| - | - | INSUL | .110 [.279mm] | F |
| | | WIRE STRIP LENGTH | TERM APPL SPEC | FEED |
| .187 -.202 | NONE | .494 | 408-8040 | 458637-1 |

| LOC | DIST | REV | DESCRIPTION | DATE | BY | APPD |
|-----|------|-----|-------------|-----------|----|------|
| A | 66 | | | | | |
| | | A | REVISED | 08MAY2006 | BH | BH |

- △ RECOMMENDED SPARE PARTS
- △ GREASE LIGHTLY
- △ GUARD MUST BE IN PLACE WHEN OPERATING APPLICATOR IN A BENCH MACHINE



FEED TRACK POSITION



| | | | | | | | | |
|---|---|-----|-----|---|---|-------------|---------------------------------------|-----|
| - | 2 | 2 | 2 | 2 | - | 4-354779-6 | PIN, WIRE DISC, .3220 | 128 |
| - | 2 | 2 | 2 | 2 | - | 3-354779-8 | PIN, WIRE DISC, .3180 | 127 |
| - | 2 | 2 | 2 | 2 | - | 2-354779-0 | PIN, WIRE DISC, .3090 | 126 |
| △ | - | - | REF | - | - | 455749-1 | GUARD WINDOW | 116 |
| △ | - | REF | - | - | - | 679532-1 | INSERT, GUARD | 115 |
| - | 1 | 1 | 1 | 1 | - | 690603-1 | SPRING ASSIST AMP-O-MATOR APPLICATOR | 112 |
| - | 1 | 1 | 1 | 1 | - | 1-21002-7 | SCR, BTN SKT HD CAP 6-32 X .375 | 91 |
| - | 1 | 1 | 1 | 1 | - | 318563-1 | GUARD, FRONT CHIP | 89 |
| - | 1 | 1 | 1 | 1 | - | 4088040 | SF APPL INST 408-8040 | 72 |
| - | 1 | 1 | 1 | 1 | - | 217238-1 | GENERAL INSTRUCTION PKG | 71 |
| - | 1 | 1 | 1 | 1 | - | 461264-1 | PLATE, IDENTIFICATION | 67 |
| - | 2 | 2 | 2 | 2 | - | 21017-2 | SCREW, DRIVE | 66 |
| - | 1 | 1 | 1 | 1 | - | 986950-1 | WASHER, FLAT PRECISION | 64 |
| - | 1 | 1 | 1 | 1 | - | 21009-2 | SCR, SET, SELF LOCKING 1/4-20 X .250 | 63 |
| - | 1 | 1 | 1 | 1 | - | 23030-1 | SCR, SKT HD CAP 6-32 X .25 | 62 |
| - | 1 | 1 | 1 | 1 | - | 22733-8 | SCR, BHSC, SELF-LOCKING, 8-32 X .375 | 60 |
| - | 1 | 1 | 1 | 1 | - | 2-22603-0 | SCR, HEX HD CAP 8-32 X .312 | 59 |
| - | 1 | 1 | 1 | 1 | - | 458537-2 | PAWL, FEED | 56 |
| - | 4 | 4 | 4 | 4 | - | 2-21002-2 | SCR, BTN SKT HD CAP 8-32 X .500 | 54 |
| - | 2 | 2 | 2 | 2 | - | 2-21000-8 | SCR, SKT HD CAP 8-32 X .625 | 53 |
| - | 1 | 1 | 1 | 1 | - | 21018-5 | NUT, HEX, REG 6-32 | 52 |
| - | 1 | 1 | 1 | 1 | - | 811242-2 | BUMPER, HOLD DOWN | 51 |
| - | 1 | 1 | 1 | 1 | - | 690753-1 | SPACER, TONKER | 50 |
| - | - | 1 | - | - | - | 690602-6 | CAM, PRE FEED, 1/8 | 49 |
| - | - | - | 1 | - | - | 690602-5 | CAM, PRE FEED, 1/16 | 48 |
| - | 1 | 1 | 1 | 1 | - | 690501-4 | CAM, POST FEED, 1/8 | 47 |
| - | 1 | 1 | 1 | 1 | - | 459456-1 | APPL. BASIC SUB ASSY (SIDE WISE MOCA) | 46 |
| - | 1 | 1 | 1 | 1 | - | 690191-1 | PLUG, NYLON | 45 |
| - | 1 | 1 | 1 | 1 | - | 455673-1 | RAM, SIDE FEED | 44 |
| - | 1 | 1 | 1 | 1 | - | 690125-1 | SHIM SUB-ASSY | 43 |
| - | 1 | 1 | 1 | 1 | - | 690124-1 | WASHER, RAM (.115) | 42 |
| - | 1 | 1 | 1 | 1 | - | 7-21002-9 | SCR, BTN SKT HD CAP 5/16-24 X 1.00 | 41 |
| - | 1 | 1 | 1 | 1 | - | 23241-6 | BALL, STEEL | 40 |
| - | 1 | 1 | 1 | 1 | - | 690170-1 | SPRING, COMPRESSION | 39 |
| - | 1 | 1 | 1 | 1 | - | 1-690142-3 | DISC, INSULATION | 38 |
| - | 1 | 1 | 1 | 1 | - | 354777-1 | WIRE DISC, ASSEMBLY | 37 |
| - | 1 | 1 | 1 | 1 | - | 22480-5 | SPRING, COMPRESSION | 36 |
| - | 1 | 1 | 1 | 1 | - | 690212-1 | POST, RAM | 35 |
| - | 1 | 1 | 1 | 1 | - | 690786-3 | TERMINAL SUPPORT | 34 |
| - | 2 | 2 | 2 | 2 | - | 2-21002-3 | SCR, BTN SKT HD CAP 8-32 X .625 | 33 |
| - | 1 | 1 | 1 | 1 | - | 21024-5 | WASHER, SPRG LOCK, REG NO 10 | 32 |
| - | 1 | 1 | 1 | 1 | - | 3-21000-4 | SCR, SKT HD CAP 10-32 X .375 | 31 |
| - | 1 | 1 | 1 | 1 | - | 1-1320908-5 | SPACER, STRIP GUIDE | 30 |
| - | 1 | 1 | 1 | 1 | - | 1633091-1 | ASSEMBLY, STRIP GUIDE | 29 |
| - | 1 | 1 | 1 | 1 | - | 1-455888-0 | SPACER, CRIMPER | 28 |
| - | 1 | 1 | 1 | 1 | - | 1320928-3 | PLATE, STRIP GUIDE | 24 |
| - | 1 | 1 | 1 | 1 | - | 690472-2 | STRIPPER | 22 |
| - | 1 | 1 | 1 | 1 | - | 2-21000-7 | SCR, SKT HD CAP 8-32 X .500 | 21 |
| - | 4 | 4 | 4 | 4 | - | 21024-4 | WASHER, SPRG LOCK, REG NO 8 | 20 |
| - | 1 | 1 | 1 | 1 | - | 691353-1 | STRIPPER | 19 |
| - | 1 | 1 | 1 | 1 | - | 679625-1 | SHEAR HOLDER, FRONT (NO CUT) | 17 |
| △ | 1 | 1 | 1 | 1 | - | 3-22280-3 | SPRING, COMPRESSION | 12 |
| - | 1 | 1 | 1 | 1 | - | 690461-1 | STOP, SHEAR | 11 |
| - | - | 1 | 1 | 1 | - | 690459-1 | SHEAR HOLDER, FRONT | 10 |
| △ | 1 | 1 | 1 | 1 | - | 462006-1 | FLOATING SHEAR, FRONT | 9 |
| △ | 1 | 1 | 1 | 1 | - | 4-1633117-6 | ANVIL, COMBINATION | 8 |
| △ | 1 | 1 | 1 | 1 | - | 240641-1 | SPACER | 7 |
| - | 1 | 1 | 1 | 1 | - | 2-455889-0 | DEPRESSOR, SHEAR | 5 |
| - | 1 | 1 | 1 | 1 | - | 238011-7 | BLOCK, CRIMPER SPACER | 4 |
| △ | 1 | 1 | 1 | 1 | - | 2-456134-2 | CRIMPER, INSULATION F PREMIUM | 3 |
| - | 1 | 1 | 1 | 1 | - | 455888-9 | SPACER, CRIMPER | 2 |
| △ | 1 | 1 | 1 | 1 | - | 2-456405-7 | CRIMPER, WIRE PREMIUM | 1 |

| DIMENSIONS: | | TOLERANCES UNLESS OTHERWISE SPECIFIED: | |
|-------------|-------------|--|---------------|
| INCHES | 0 PLC ±.01 | 1 PLC ±.01 | 2 PLC ±.01 |
| | 3 PLC ±.001 | 4 PLC ±.001 | ANGLES ±.0001 |
| MATERIAL | FINISH | WEIGHT | SCALE |
| | | | 3:5 |

CUSTOMER VIEWABLE ASSEMBLY