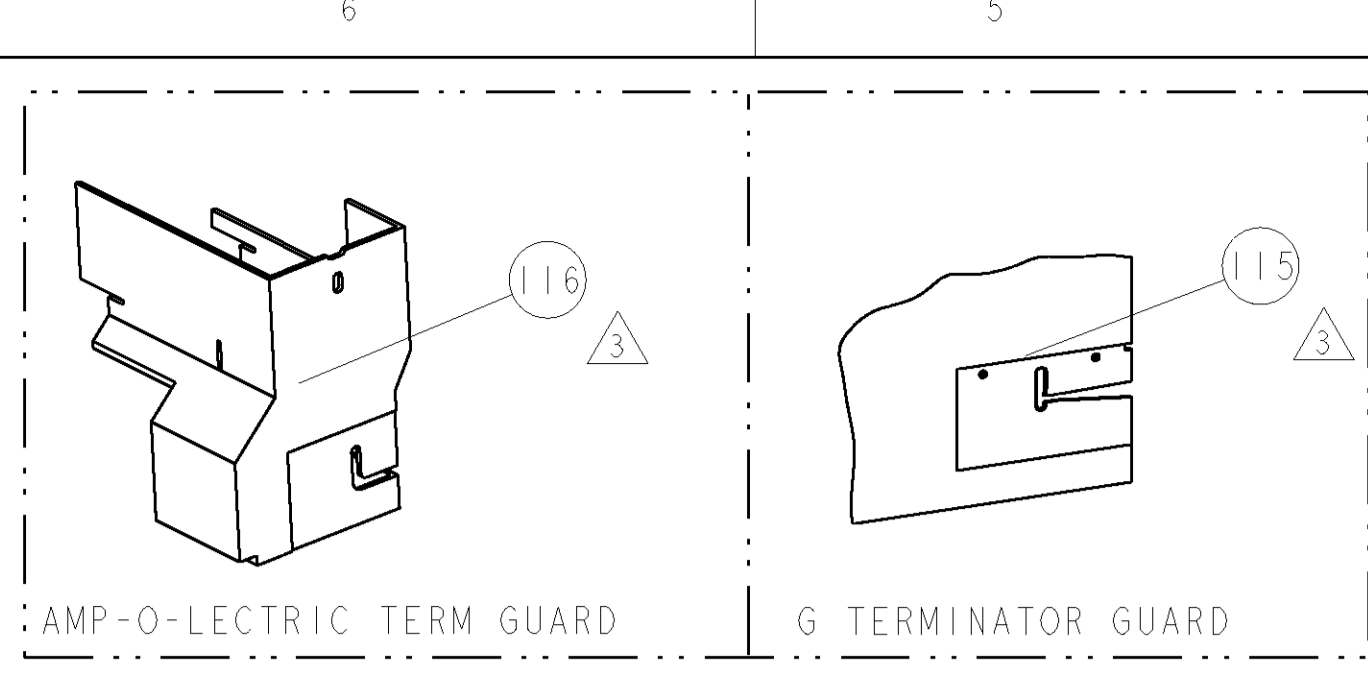


PART NUMBER	REV	FIRST USED	POWER UNIT	FEED TYPE	DESCRIPTION
1855202-1	A	122500-1	LEADMAKER	POST FEED	CUTS CARRIER
1855202-2	A	565435-5	BENCH MODEL K	PRE FEED	CUTS CARRIER
1855202-3	A	354500-1	BENCH MODEL G	PRE FEED	CUTS CARRIER
1855202-6	A	122500-1	LEADMAKER	POST FEED	CONTINUOUS CARRIER
7-1855202-7	A	-	-	-	SPARE PARTS

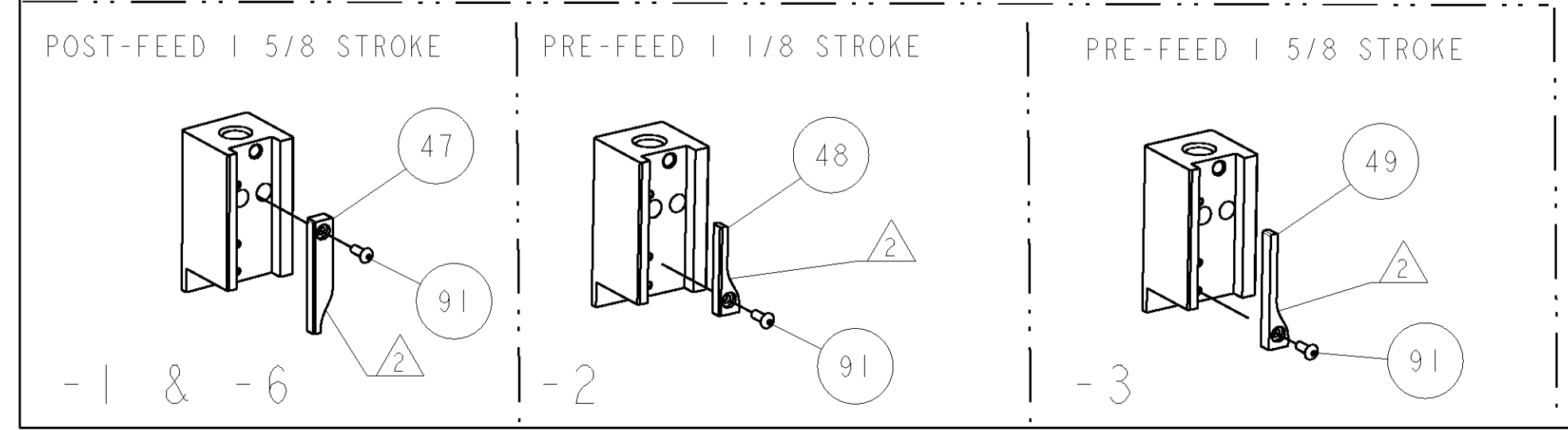
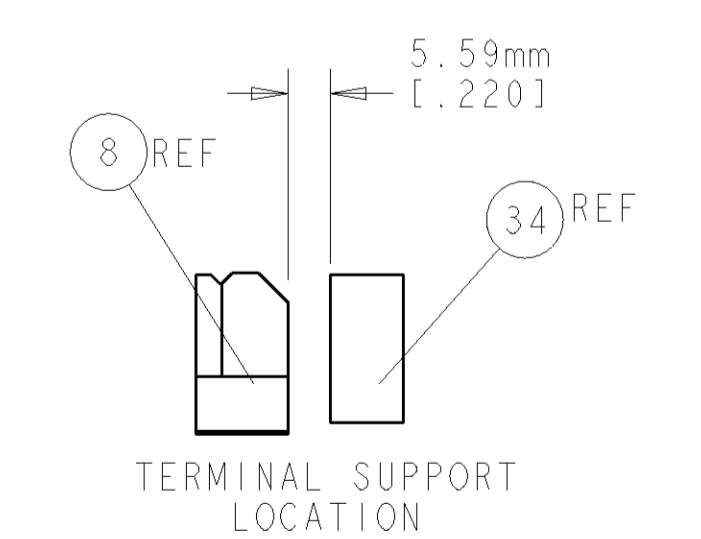
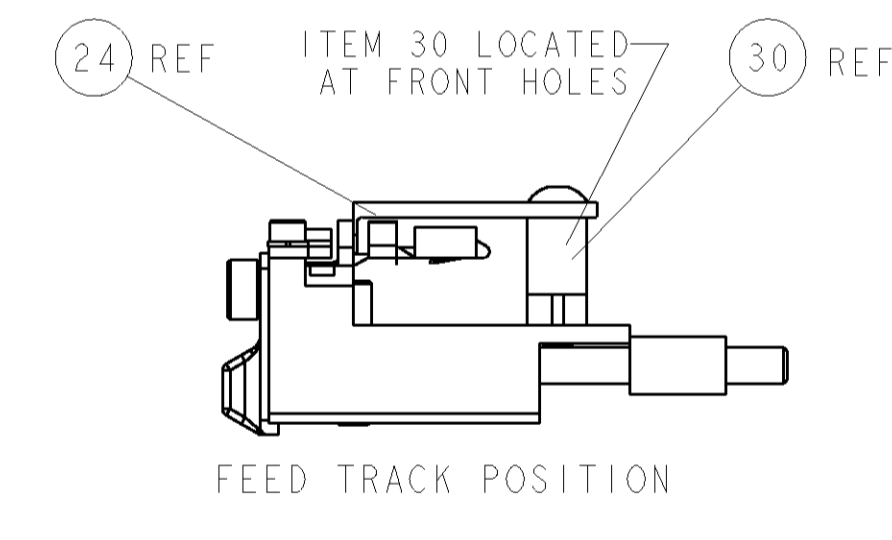
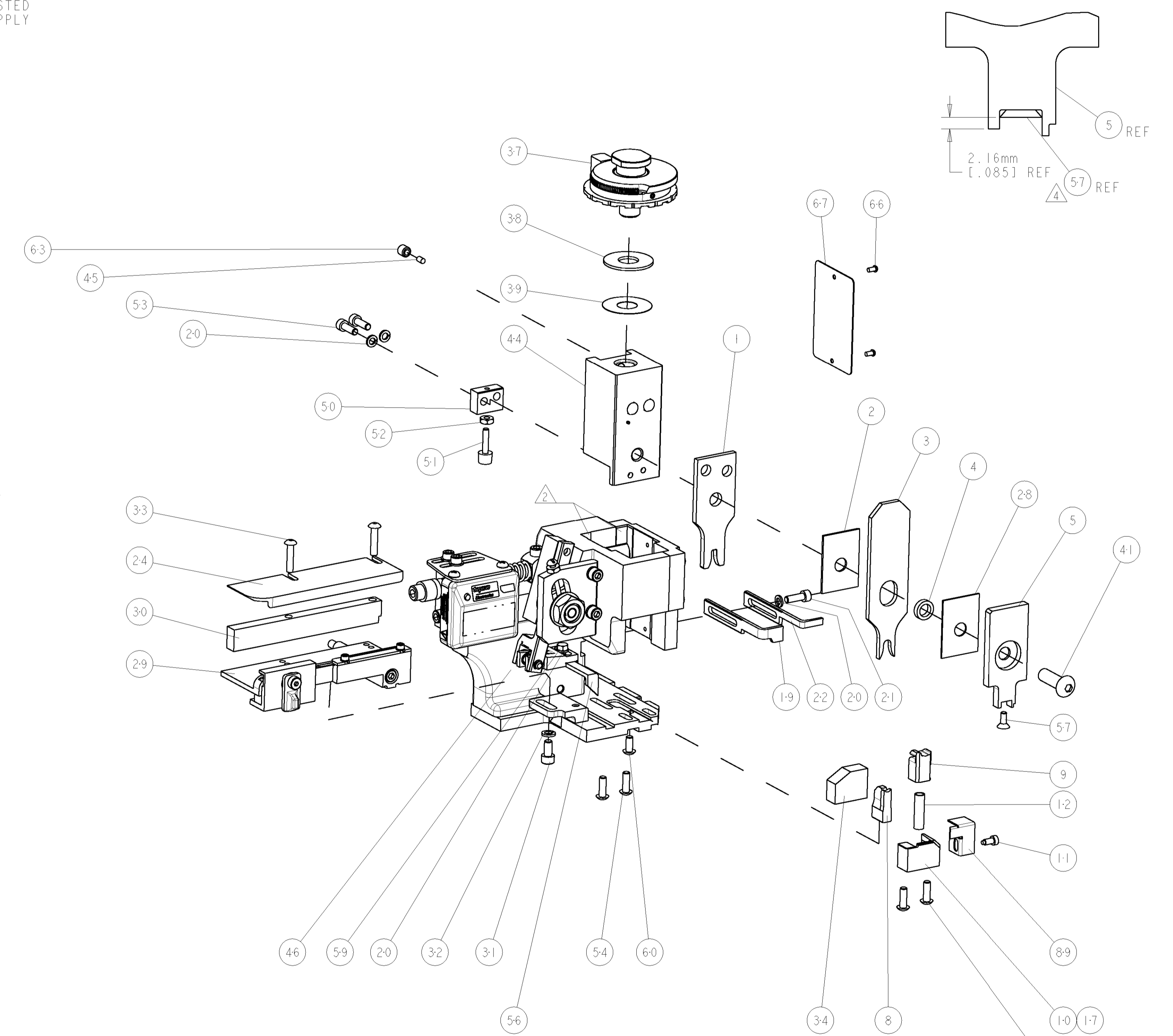


TERMINAL NAME: FEMALE METRI-PACK 280				
TYCO PN	PACKARD PN	PACKARD TERMINAL - PACKARD CRIMP SPECS		REF SETTING
1572490-1	12077413			
1572490-2	12176387	CRIMP HEIGHT	WIRE SIZE	
-	-	2.35±0.05mm [ .093±.002]	5mm <sup>2</sup> or 10 AWG	A1
-	-	2.10±0.05mm [ .083±.002]	3mm <sup>2</sup>	B7
-	-	1.90±0.05mm [ .075±.002]	2.5mm <sup>2</sup>	C9
-	-	-	-	-
SEAL PN	CRIMP	SIZE	TYPE	RANGE
1572497	12015193	WIRE 3.58mm [ .141]	F	2.5-5mm <sup>2</sup>
-	-	INSUL 5.46mm [ .215]	O	∅3.49-3.65mm
WIRE STRIP LENGTH	TERM APPL SPEC	FEED	APPLICATOR INSTRUCTIONS	SET UP GAGE
5.2 - 6.0mm	NONE	14.5mm	408-8040	458637-1

LOC	DIST	P	LTR	DESCRIPTION	DATE	BY	APPD
A	66			RELEASED	07MAR2007	RK	GB
		A1		ECR-07-016930	23JUL2007	LG	GB

- △ RECOMMENDED SPARE PARTS
- △ GREASE LIGHTLY
- △ GUARD MUST BE IN PLACE WHEN OPERATING APPLICATOR IN A BENCH MACHINE
- △ APPLY TORO-SEAL IN ALLEN SOCKET TO FILL HOLE AFTER FLAT HD HAS BEEN ADJUSTED TO CORRECT HEIGHT AT QUALIFICATION. APPLY PN 1-23419-5 LOC-TITE TO THREADS.

**\* WARNING**  
ON INSTALLATION, SET WIRE DISC TO LARGEST WIRE SIZE SETTING. USE OF SETTINGS BELOW MIN. REQUIRED CRIMP HEIGHT SETTING WILL CAUSE DAMAGE TO CRIMP TOOLING.



QTY	REF	DESCRIPTION	ITEM NO
1		GUARD WINDOW	116
1		INSERT, GUARD	115
1		SCR, BTN SKT HD CAP 6-32 X .375	91
1		GUARD, FRONT CHIP	89
1		SF APPL INST 408-8040	72
1		GENERAL INSTRUCTION PKG	71
1		PLATE, IDENTIFICATION	67
2		SCREW, DRIVE	66
1		SCR, SET, SELF LOCKING 1/4-20 X .250	63
1		SCR, BHSC, SELF-LOCKING, 8-32 X .375	60
1		SCR, HEX HD CAP 8-32 X .312	59
1		SCR, FLT SKT HD CAP 6-32 X .375	57
1		PAWL, FEED	56
4		SCR, BTN SKT HD CAP 8-32 X .500	54
2		SCR, SKT HD CAP 8-32 X .500	53
1		NUT, HEX, REG 6-32	52
1		BUMPER, HOLD DOWN	51
1		SPACER, TONKER	50
1		CAM, PRE FEED, 1 5/8	49
1		CAM, PRE FEED, 1 1/8	48
1		CAM, POST FEED, 1 5/8	47
1		APPL. BASIC SUB ASSY (SIDE WISE MOCA)	46
1		PLUG, NYLON	45
1		RAM, SIDE FEED	44
1		SCR, BTN SKT HD CAP 5/16-24 X 1.00	41
1		SHIM SUB-ASSY	39
1		SHIM	38
1		FINE ADJUST HEAD ASSEMBLY	37
1		TERMINAL SUPPORT	34
2		SCR, BTN SKT HD CAP 8-32 X .750	33
1		WASHER, SPRG LOCK, REG NO 10	32
1		SCR, SKT HD CAP 10-32 X .375	31
1		SPACER, STRIP GUIDE	30
1		ASSEMBLY, STRIP GUIDE	29
1		SPACER, CRIMPER	28
1		PLATE, STRIP GUIDE	24
1		STRIPPER	22
1		SCR, SKT HD CAP 8-32 X .500	21
4		WASHER, SPRG LOCK, REG NO 8	20
1		STRIPPER	19
1		SHEAR HOLDER, FRONT (NO CUT)	17
1		SPRING, COMPRESSION	12
1		STOP, SHEAR	11
1		SHEAR HOLDER, FRONT	10
1		FLOATING SHEAR, FRONT	9
1		ANVIL, COMBINATION	8
1		DEPRESSOR, SHEAR	5
1		BLOCK, CRIMPER SPACER	4
1		CRIMPER, INSUL O	3
1		SPACER, CRIMPER	2
1		CRIMPER, WIRE	1

QTY	REF	DESCRIPTION	ITEM NO					
-77	-6	-3	-2	-1	U/M	PART NO	DESCRIPTION	ITEM NO