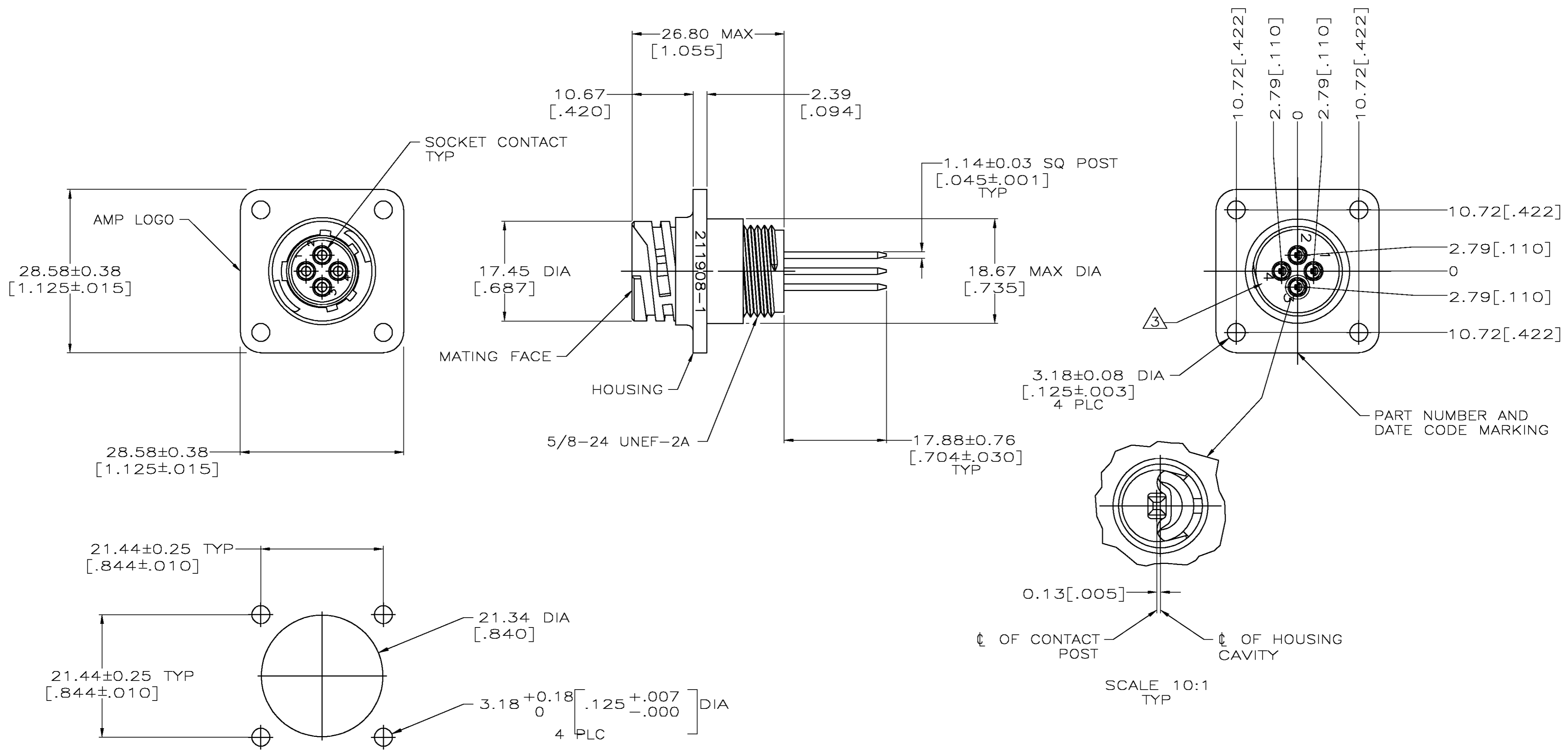


THIS DRAWING IS UNPUBLISHED. RELEASED FOR PUBLICATION  
 © COPYRIGHT BY TYCO ELECTRONICS CORPORATION. ALL RIGHTS RESERVED.

LOC	DIST	REVISIONS					
FT	0	P	LTR	DESCRIPTION	DATE	DWN	APVD
		A		REVISED PER 0G3B-0100-05	5/3/05	SS	HW



RECOMMENDED PANEL CUTOUT

- ① HOUSING: POLYESTER, GRAY.  
SOCKET CONTACT & POST: BRASS.  
SPRING: STAINLESS STEEL.
- ② SOCKET CONTACT & POST: 2.54um[.000100] MIN TIN-LEAD OVER 1.27um[.000050] MIN NICKEL.
- ③ CAVITY IDENTIFICATION ON FRONT AND REAR FACE.
- 4. RECOMMENDED PC BOARD HOLE SIZE FOR CONTACT POST = 1.40±0.03[.055±.005] DIA.
- ⑤ SOCKET CONTACT & POST: 2.54um[.000100] MIN TIN OVER 1.27um[.000050] MIN NICKEL.

⑤	1-788130-1
②	788130-1
CONTACT FINISH	PART NUMBER

THIS DRAWING IS A CONTROLLED DOCUMENT.		DWN D.HARDY 16 MAY 97	 Tyco Electronics Corporation Harrisburg, Pa 17105-3608
DIMENSIONS: mm [INCHES]		CHK R.STONE 19 MAY 97	
TOLERANCES UNLESS OTHERWISE SPECIFIED:		APVD K.DOWHWOWER 19 MAY 97	NAME
0 PLC ± -		PRODUCT SPEC	108-10024
1 PLC ± -		APPLICATION SPEC	114-10038
2 PLC ± 0.13 [.005]		WEIGHT	-
3 PLC ± -		CUSTOMER DRAWING	
4 PLC ± -		SCALE	2:1
ANGLES ± -		SHEET	1 OF 1
FINISH -		REV	A