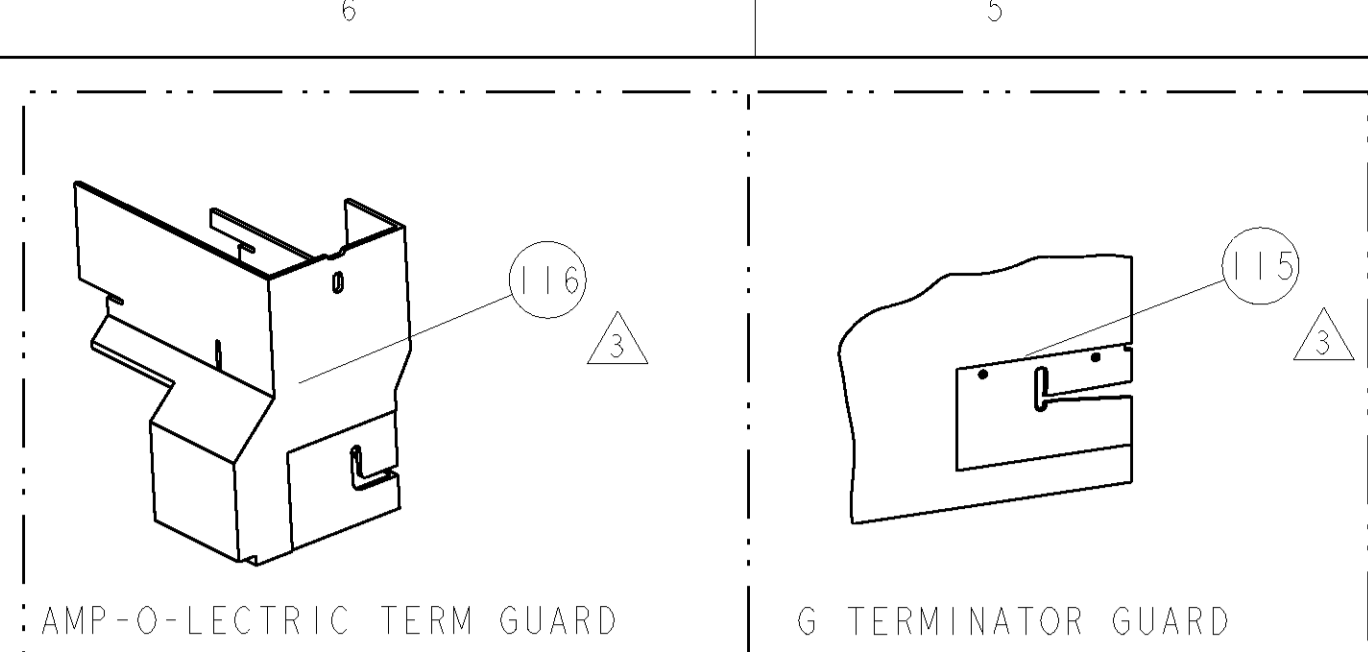


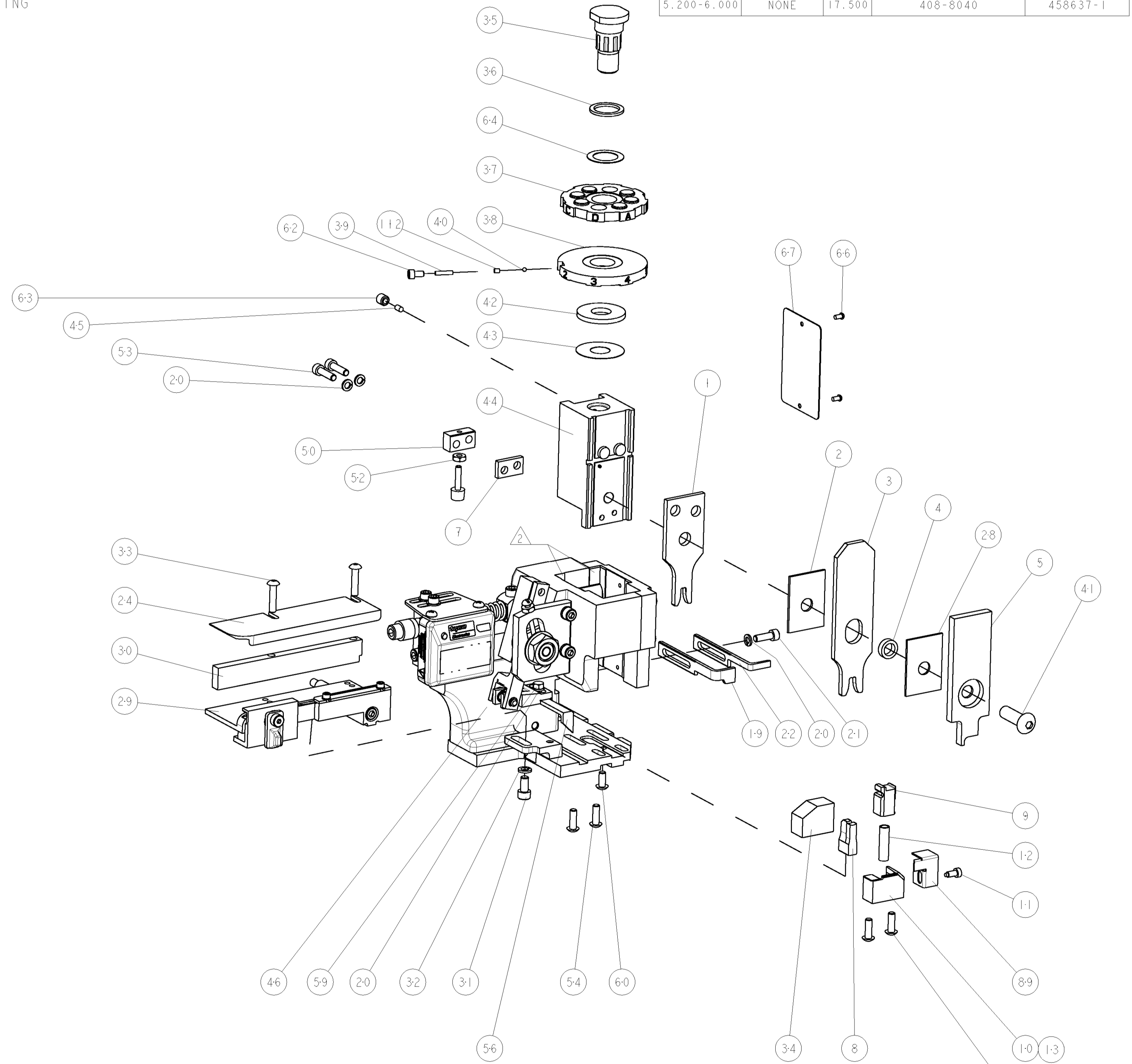
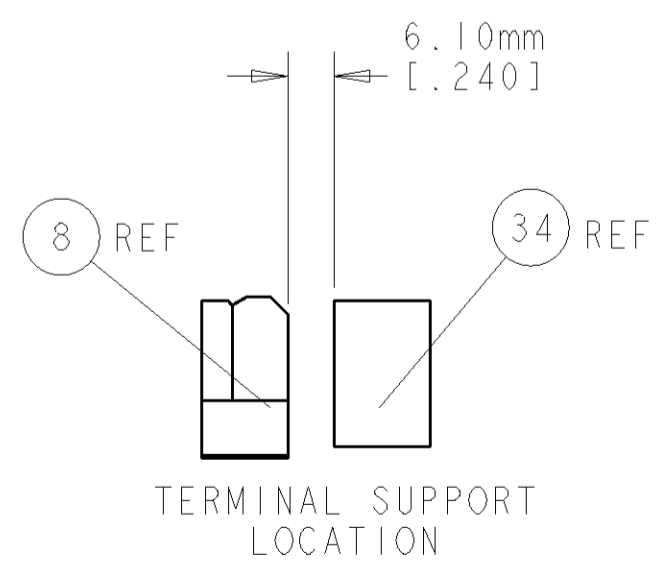
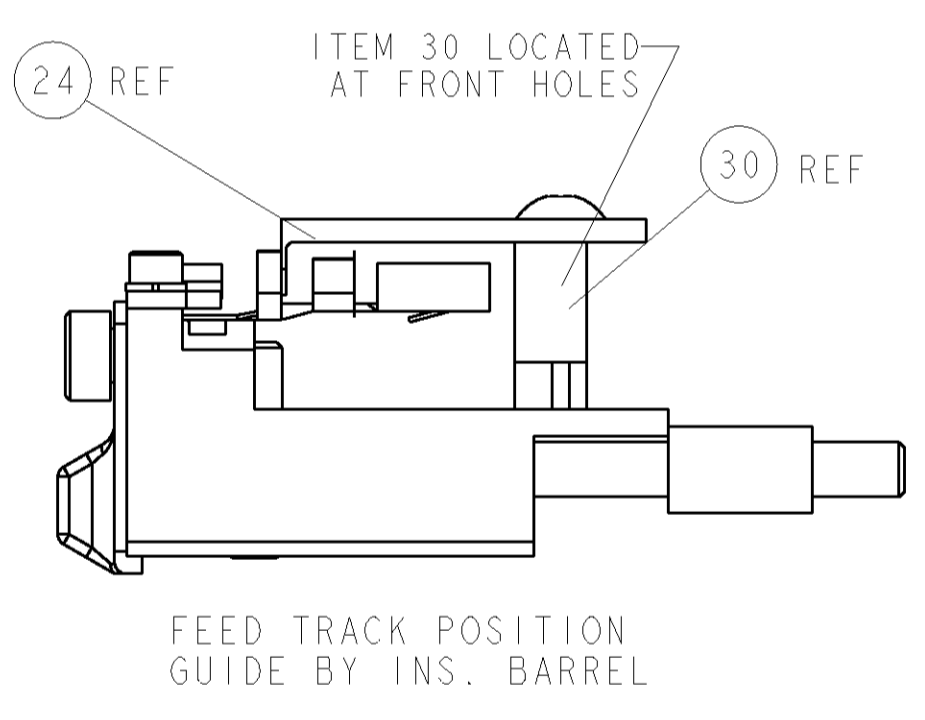
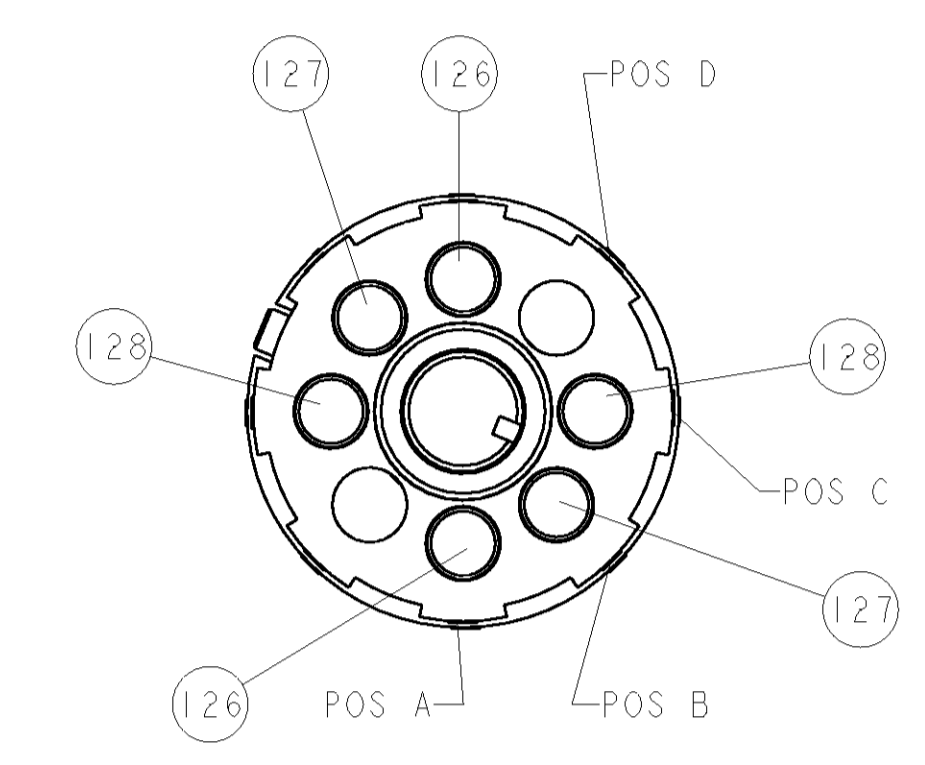
PART NUMBER	REV	FIRST USED	POWER UNIT	FEED TYPE	DESCRIPTION
1852678-1	A	122500-1	LEADMAKER	POST FEED	CUTS CARRIER
1852678-2	A	565435-5	BENCH MODEL K	PRE FEED	CUTS CARRIER
1852678-3	A	354500-1	BENCH MODEL G	PRE FEED	CUTS CARRIER
1852678-6	A	122500-1	LEADMAKER	POST FEED	CONTINUOUS CARRIER
7-1852678-7	A	-	-	-	SPARE PARTS



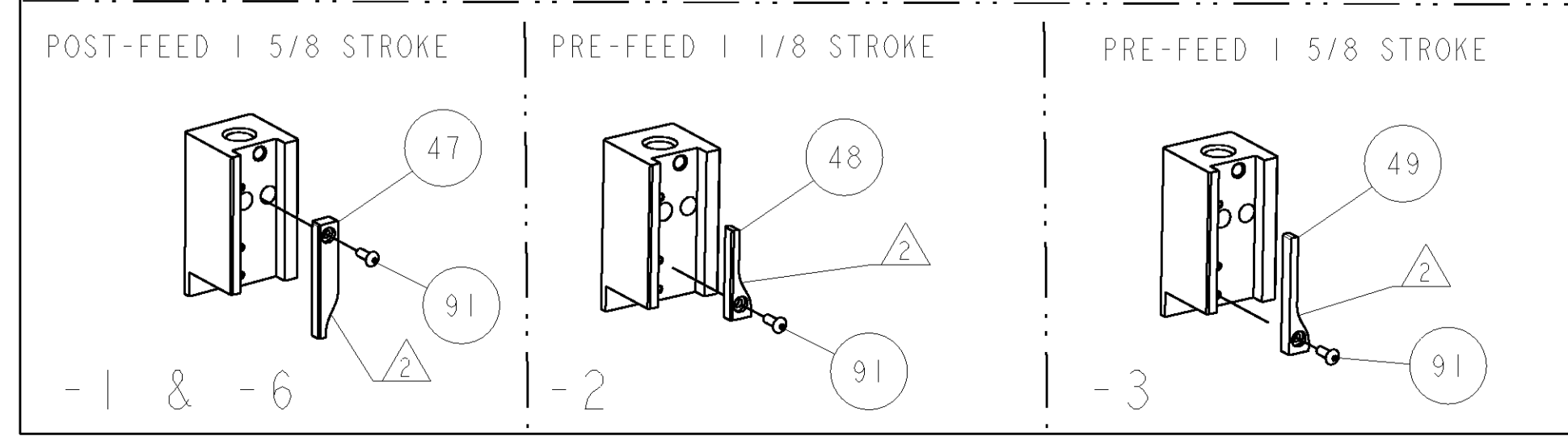
Tyco Electronics DELPHI/PACKARD		DELPHI/PACKARD TERMINAL & CRIMP SPECS	
PART NO	REV	CRIMP HEIGHT	WIRE SIZE
286718	12084590	-	-
286736	12084588	-	-
-	-	A 2.35mm+0.05/-0.05 [.093+/.002/-/.002]	5mm2
-	-	B 2.20mm+0.05/-0.05 [.087+/.002/-/.002]	4mm2
-	-	C 2.15mm+0.05/-0.05 [.085+/.002/-/.002]	3mm2
-	-	D	-
CRIMP	SIZE	TYPE	RANGE
-	-	-	-
-	-	WIRE 3.61mm [.142]	F 3-5mm2
-	-	INSUL 5.00mm [.197]	F 3.490 - 5.240
WIRE STRIP LENGTH	TERM APPL SPEC	FEED	APPLICATOR INSTRUCTIONS
5.200-6.000	NONE	17.500	408-8040
			SET UP GAGE 458637-1

LOC	REV	DATE	DESCRIPTION	DATE	BY	APPV
A	66		RELEASED	29APR2008	RK	GB

- RECOMMENDED SPARE PARTS
- GREASE LIGHTLY
- GUARD MUST BE IN PLACE WHEN OPERATING APPLICATOR IN A BENCH MACHINE



-	2	2	2	2	-	7-354778-1	PIN, WIRE DISC, .2850	128
-	2	2	2	2	-	6-354778-8	PIN, WIRE DISC, .2835	127
-	2	2	2	2	-	5-354778-8	PIN, WIRE DISC, .2785	126
-	-	-	REF	-	..	455749-1	GUARD WINDOW	116
-	-	-	REF	-	..	679532-1	INSERT, GUARD	115
-	1	1	1	1	-	690603-1	SPRING ASSIST AMP-O-MATOR APPLICATOR	112
-	1	1	1	1	-	1-21002-7	SCR, BTN SKT HD CAP 6-32 X .375	91
-	1	1	1	1	-	318563-1	GUARD, FRONT CHIP	89
-	1	1	1	1	-	4088040	SF APPL INST 408-8040	72
-	1	1	1	1	-	217238-1	GENERAL INSTRUCTION PKG	71
-	1	1	1	1	-	461264-1	PLATE, IDENTIFICATION	67
-	2	2	2	2	-	21017-2	SCREW, DRIVE	66
-	1	1	1	1	-	986950-1	WASHER, FLAT PRECISION	64
-	1	1	1	1	-	21009-2	SCR, SET, SELF LOCKING 1/4-20 X .250	63
-	1	1	1	1	-	23030-1	SCR, SKT HD CAP 6-32 X .25	62
-	1	1	1	1	-	22733-8	SCR, BHSC, SELF-LOCKING, 8-32 X .375	60
-	1	1	1	1	-	2-22603-0	SCR, HEX HD CAP 8-32 X .312	59
-	1	1	1	1	-	458537-2	PAWL, FEED	56
-	4	4	4	4	-	2-21002-2	SCR, BTN SKT HD CAP 8-32 X .500	54
-	2	2	2	2	-	2-21000-8	SCR, SKT HD CAP 8-32 X .625	53
-	1	1	1	1	-	21018-5	NUT, HEX, REG 6-32	52
-	1	1	1	1	-	811242-7	BUMPER, HOLD DOWN	51
-	1	1	1	1	-	690753-1	SPACER, TONKER	50
-	-	-	-	-	..	690602-6	CAM, PRE FEED, 1 5/8	49
-	-	-	-	-	..	690602-5	CAM, PRE FEED, 1 1/8	48
-	1	-	-	-	-	690501-4	CAM, POST FEED, 1 5/8	47
-	1	1	1	1	-	459456-1	APPL. BASIC SUB ASSY (SIDE WISE MOCA)	46
-	1	1	1	1	-	690191-1	PLUG, NYLON	45
-	1	1	1	1	-	1-819307-3	RAM, SIDE FEED	44
-	1	1	1	1	-	690125-1	SHIM SUB-ASSY	43
-	1	1	1	1	-	690124-1	WASHER, RAM (.115)	42
-	1	1	1	1	-	7-21002-9	SCR, BTN SKT HD CAP 5/16-24 X 1.00	41
-	1	1	1	1	-	23241-6	BALL, STEEL	40
-	1	1	1	1	-	690170-1	SPRING, COMPRESSION	39
-	1	1	1	1	-	1-690142-3	DISC, INSULATION	38
-	1	1	1	1	-	354777-1	WIRE DISC, ASSEMBLY	37
-	1	1	1	1	-	22480-5	SPRING, COMPRESSION	36
-	1	1	1	1	-	690212-1	POST, RAM	35
-	1	1	1	1	-	690786-3	TERMINAL SUPPORT	34
-	2	2	2	2	-	2-21002-4	SCR, BTN SKT HD CAP 8-32 X .750	33
-	1	1	1	1	-	21024-5	WASHER, SPRG LOCK, REG NO 10	32
-	1	1	1	1	-	3-21000-4	SCR, SKT HD CAP 10-32 X .375	31
-	1	1	1	1	-	1-1320908-0	SPACER, STRIP GUIDE	30
-	1	1	1	1	-	1633091-2	ASSEMBLY, STRIP GUIDE	29
-	1	1	1	1	-	1-455888-0	SPACER, CRIMPER	28
-	1	1	1	1	-	1320928-2	PLATE, STRIP GUIDE	24
-	1	1	1	1	-	690472-2	STRIPPER	22
-	1	1	1	1	-	2-21000-7	SCR, SKT HD CAP 8-32 X .500	21
-	4	4	4	4	-	21024-4	WASHER, SPRG LOCK, REG NO 8	20
-	-	-	-	-	-	691353-1	STRIPPER	19
-	1	1	1	1	-	679625-2	SHEAR HOLDER, FRONT (NO CUT)	13
-	1	1	1	1	-	3-22280-3	SPRING, COMPRESSION	12
-	1	1	1	1	-	690461-2	STOP, SHEAR	11
-	-	-	-	-	-	1-690459-0	SHEAR HOLDER, FRONT	10
-	1	1	1	1	-	454276-5	FLOATING SHEAR, FRONT	9
-	1	1	1	1	-	1-1633544-9	ANVIL, COMBINATION	8
-	1	1	1	1	-	240641-5	SPACER	7
-	-	-	-	-	..	-	-	6
-	1	1	1	1	-	2-455889-0	DEPRESSOR, SHEAR	5
-	1	1	1	1	-	3-238011-1	BLOCK, CRIMPER SPACER	4
-	1	1	1	1	-	4-1633471-4	CRIMPER, INSULATION F	3
-	1	1	1	1	-	1-455888-2	SPACER, CRIMPER	2
-	1	1	1	1	-	1633664-3	CRIMPER, WIRE	1



DIMENSIONS:	TOLERANCES UNLESS OTHERWISE SPECIFIED:	DATE	BY	APPV	NAME
INCHES	3 PLC ±.01 1 PLC ±.01 2 PLC ±.01 3 PLC ±.001 4 PLC ±.0001	06JAN2008	R. KNEPPER	G. BALLEW	Tyco Electronics Harrisburg, PA 17105-3608
MATERIAL	FINISH	06JAN2008	N. DEMING		SIDE FEED HDM APPLICATOR
WEIGHT					SIZE CAGE CODE DRAWING NO RESTRICTED TO
CUSTOMER DRAWING					A1 00779 C=1852678
					SCALE 3:5 SHEET 1 OF 1 REV A

CUSTOMER VIEWABLE ASSEMBLY