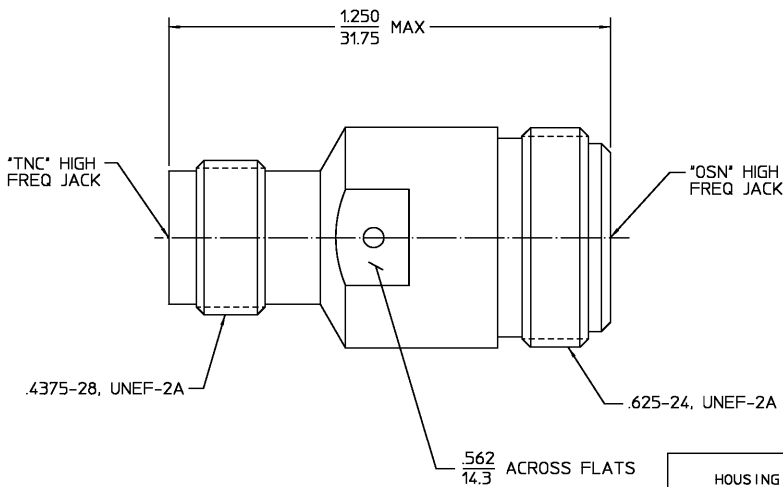


REVISIONS			
REV	DESCRIPTION	DATE	APPROVED
02 ₁	REVISED	KYLE 5-22-97	<i>[Signature]</i> 7/14/97



NOTES:

- IMPEDANCE: 50 ohm
- FREQ. RANGE DC TO 18.0
- VSWR: 1.17:1 MAX
- INSERTION LOSS: 0.4 dB MAX
- INSULATION RESISTANCE: 5,000 MegaOhm MIN
- WORKING VOLTAGE: 500 V_{rm} @ SEA LEVEL
- RF HIGH POTENTIAL VOLTAGE: 1,000 V_{rm} MIN
- DWV: 1,500 V_{rm} MIN AT SEA LEVEL
- CORONA LEVEL: 375 V MIN AT 70,000 FEET
- TEMPERATURE RANGE: -65 TO +165°C

COMPONENT	MATERIAL	FINISH
HOUSING	STAINLESS STEEL PER ASTM-A484 AND ASTM- A582, TYPE 303	PASSIVATE PER QQ-P-35
DIELECTRIC	PTFE FLUOROCARBON PER ASTM-D-1457	N/A
CENTER CONTACT	BERYLLIUM COPPER PER ASTM-B-196 OR ASTM-B-197, ALLOY C17300, CONDITION H	GOLD PLATE PER MIL-G-45204

UNLESS OTHERWISE SPECIFIED DIMENSIONS ARE IN INCHES	DRAWN BY D. CAM	DATE 2-28-79	AMP AMP Incorporated 140 Fourth Avenue Waltham, MA 02451-7599
	CHECKED BY R. S.	3-26-79	
	APPD BY G. H.	3-27-79	
USE ASSY PROCEDURE			TITLE HIGH FREQ.(18 GHz) '*TNC*' JACK TO '*OSN*' JACK ADAPTER
NO. AP. N/A			SIZE B
			CODE IDENT NO. 26805
			3680-2310-02
			REV 02 ₁
			SCALE 4:1
			SHEET 1 OF 1

COPY IN PUERTO RICO

CUSTOMER DRAWING

AMP PART # 1058656-1
SHEET 1 OF 1 REV A