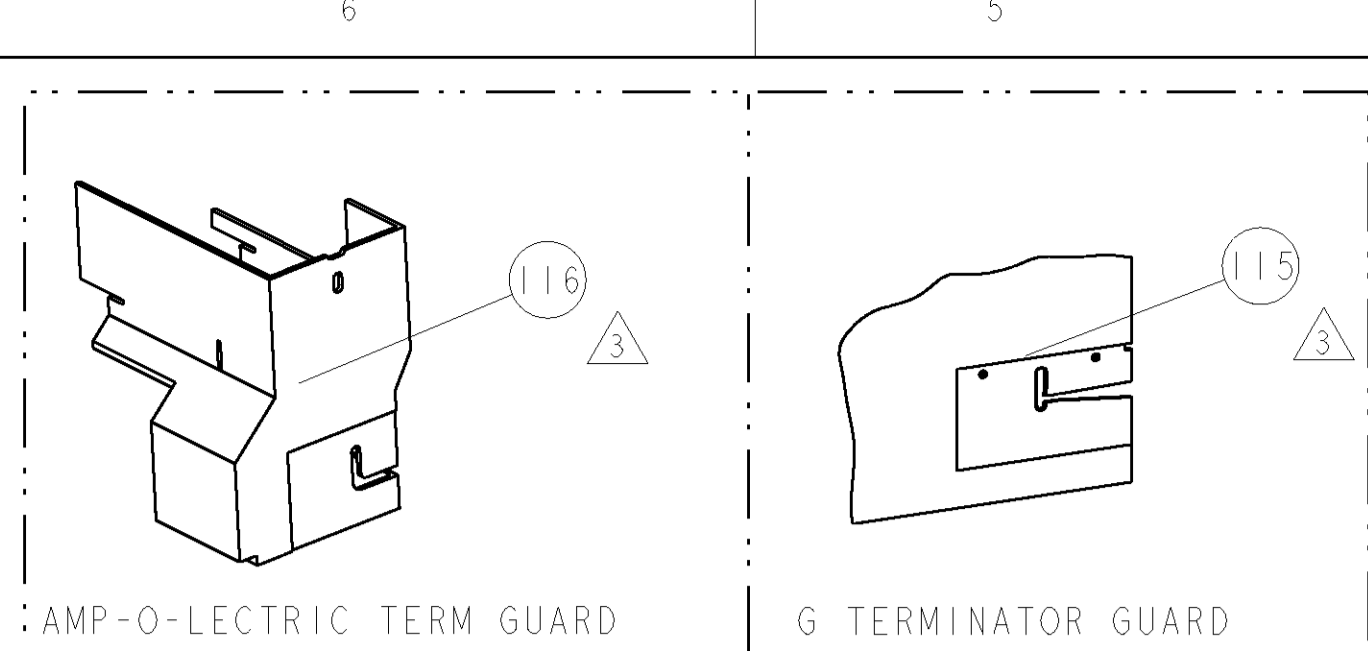


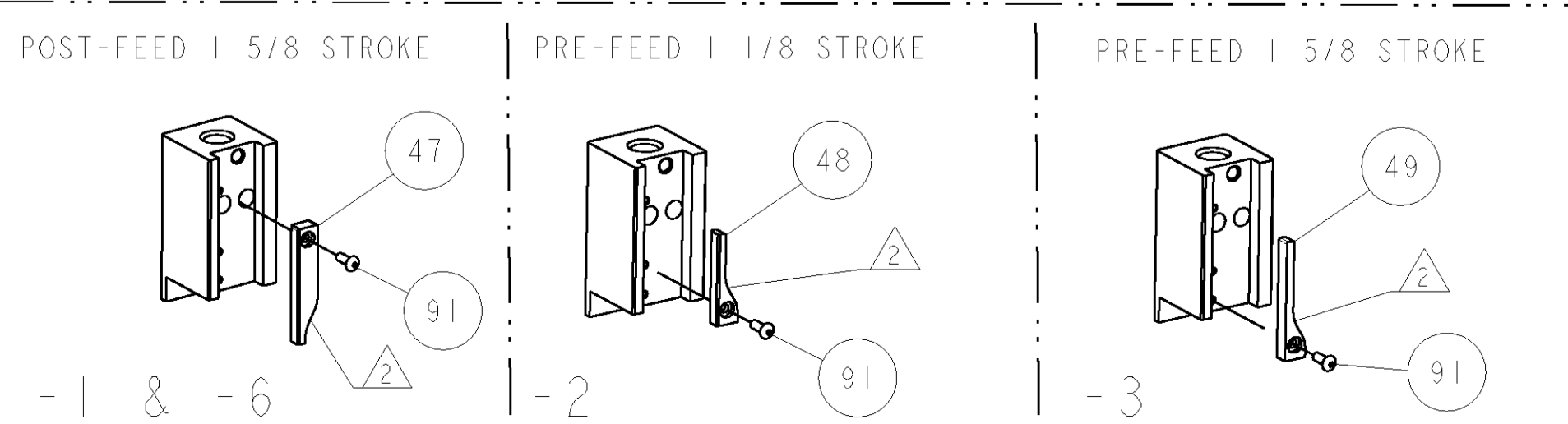
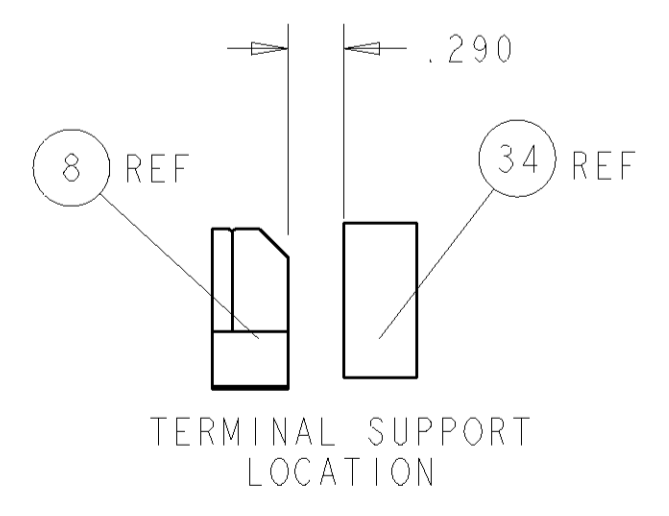
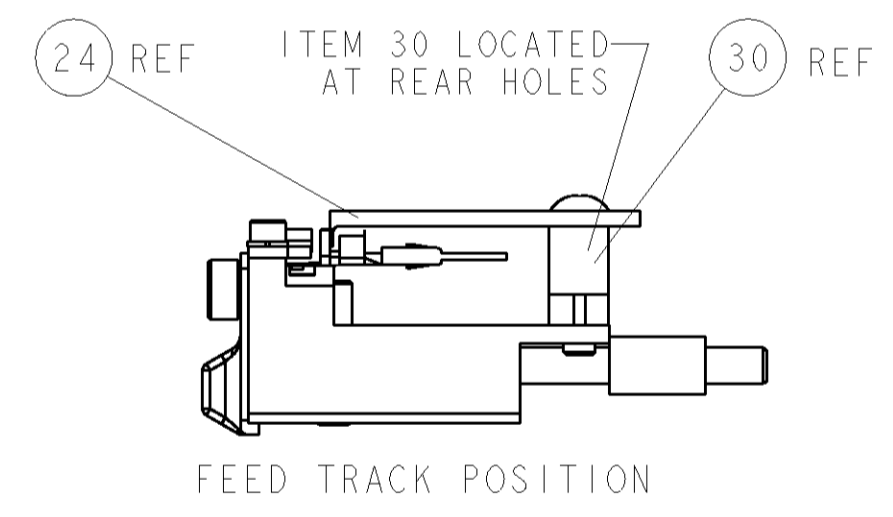
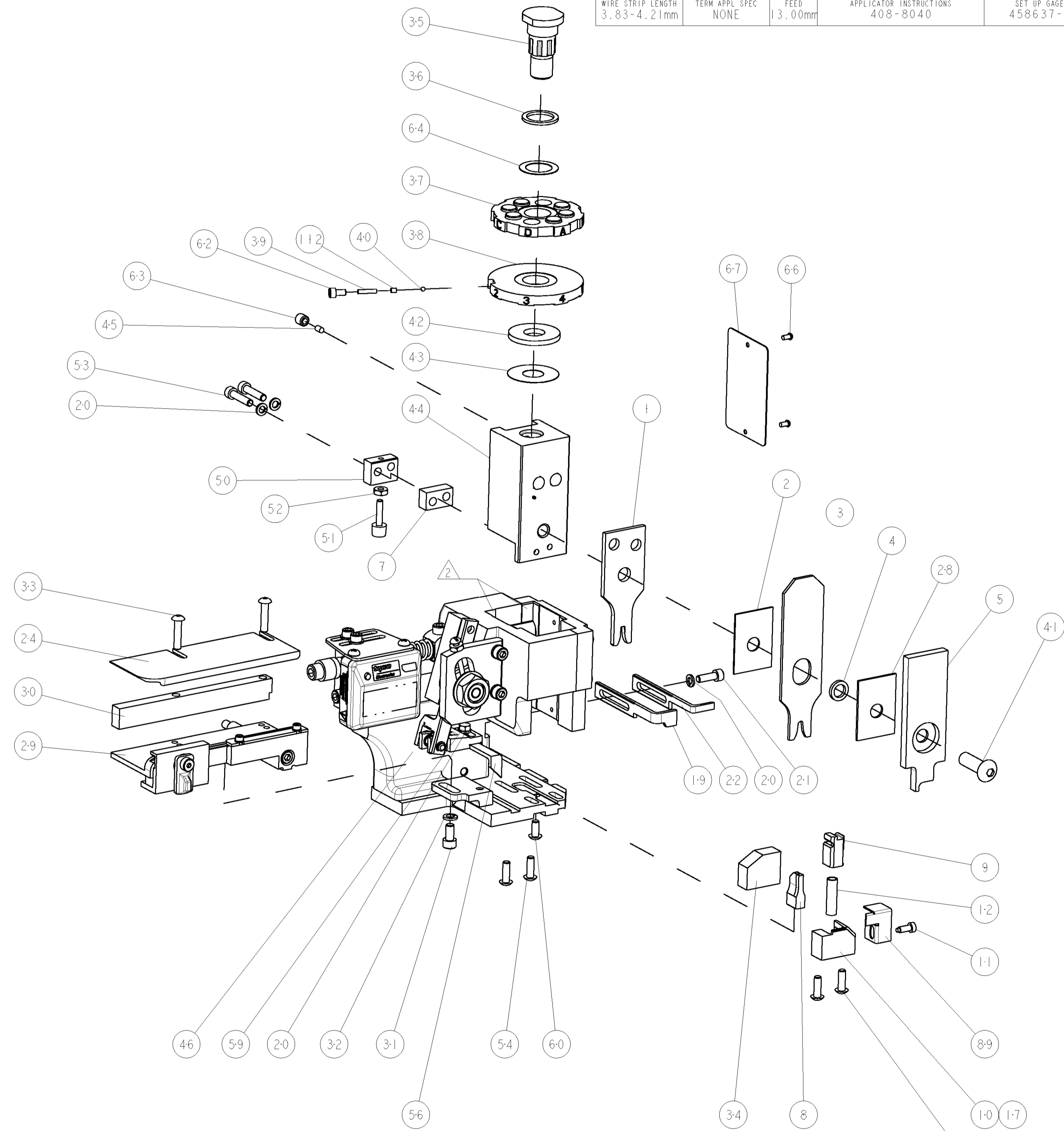
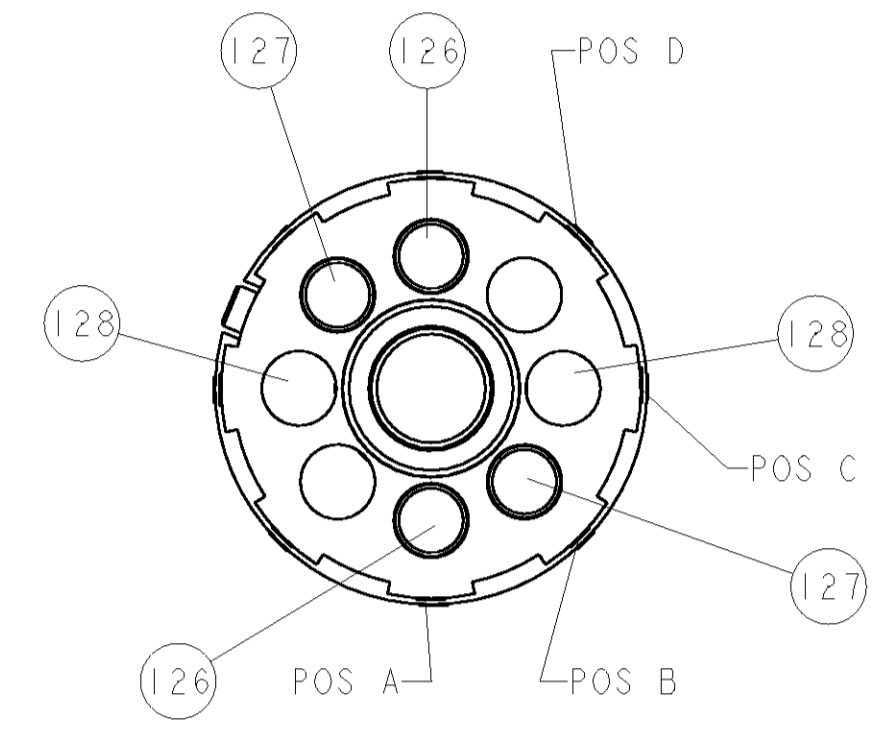
PART NUMBER	REV	FIRST USED	POWER UNIT	FEED TYPE	DESCRIPTION
1852486-1	A	122500-1	LEADMAKER	POST FEED	CUTS CARRIER
1852486-2	A	565435-5	BENCH MODEL K	PRE FEED	CUTS CARRIER
1852486-3	A	354500-1	BENCH MODEL G	PRE FEED	CUTS CARRIER
1852486-6	A	122500-1	LEADMAKER	POST FEED	CONTINUOUS CARRIER
7-1852486-7	A	-	-	-	SPARE PARTS



TYCO PN		MANF PN		AMP TERMINAL - AMP CRIMP SPECS	
1832671	10124499100				
		PAD LTR		CRIMP HEIGHT	WIRE SIZE
		A		1.80±0.05mm [.071±.002]	2.50mm2
		B		1.70±0.05mm [.067±.002]	2.00mm2
		C		1.50±0.05mm [.059±.002]	1.50mm2
		D		-	-
		CRIMP		SIZE	TYPE
		WIRE		2.64mm [.104]	F
		INSUL		3.30mm [.130]	OV
		FEED		3.30mm [.130]	OV
				APPLICATOR INSTRUCTIONS	SET UP GAGE
				408-8040	458637-1
WIRE STRIP LENGTH	TERM APPL SPEC				
3.83-4.21mm	NONE				

LOC	DIST	REV	DESCRIPTION	DATE	BY	APPD
A	66		PRODUCT RELEASE	08JUN2007	CMR	TE

- △ RECOMMENDED SPARE PARTS
- △ GREASE LIGHTLY
- △ GUARD MUST BE IN PLACE WHEN OPERATING APPLICATOR IN A BENCH MACHINE



QTY	REV	DESCRIPTION	DATE	BY	APPD		
- 2	2	2	2	-	1-354779-2	PIN, WIRE DISC, .3050	128
- 2	2	2	2	-	9-354778-4	PIN, WIRE DISC, .2965	127
- 2	2	2	2	-	8-354778-5	PIN, WIRE DISC, .2920	126
-	-	-	REF	-	455749-1	GUARD WINDOW	116
-	-	REF	-	-	679532-1	INSERT, GUARD	115
-	1	1	1	1	690603-1	SPRING ASSIST AMP-O-MATOR APPLICATOR	112
-	1	1	1	1	1-21002-7	SCR, BTN SKT HD CAP 6-32 X .375	91
-	1	1	1	1	318563-1	GUARD, FRONT CHIP	89
-	1	1	1	1	4088040	SF APPL INST 408-8040	72
-	1	1	1	1	217238-1	GENERAL INSTRUCTION PKG	71
-	1	1	1	1	461264-1	PLATE, IDENTIFICATION	67
-	2	2	2	2	21017-2	SCREW, DRIVE	66
-	1	1	1	1	986950-1	WASHER, FLAT PRECISION	64
-	1	1	1	1	21009-2	SCR, SET, SELF LOCKING 1/4-20 X .250	63
-	1	1	1	1	23030-1	SCR, SKT HD CAP 6-32 X .25	62
-	1	1	1	1	22733-8	SCR, BHSC, SELF-LOCKING, 8-32 X .375	60
-	1	1	1	1	2-22603-0	SCR, HEX HD CAP 8-32 X .312	59
-	1	1	1	1	458537-2	PAWL, FEED	56
-	4	4	4	4	2-21002-2	SCR, BTN SKT HD CAP 8-32 X .500	54
-	2	2	2	2	2-21000-9	SCR, SKT HD CAP 8-32 X .750	53
-	1	1	1	1	21018-5	NUT, HEX, REG 6-32	52
-	1	1	1	1	811242-2	BUMPER, HOLD DOWN	51
-	1	1	1	1	690753-1	SPACER, TONKER	50
-	-	-	-	-	690602-6	CAM, PRE FEED, 1/8	49
-	-	-	-	-	690602-5	CAM, PRE FEED, 1/16	48
-	1	1	1	1	690501-4	CAM, POST FEED, 1/8	47
-	1	1	1	1	459456-1	APPL. BASIC SUB ASSY (SIDE WISE MOCA)	46
-	1	1	1	1	690191-1	PLUG, NYLON	45
-	1	1	1	1	455673-1	RAM, SIDE FEED	44
-	1	1	1	1	690125-1	SHIM SUB-ASSY	43
-	1	1	1	1	690124-1	WASHER, RAM (.115)	42
-	1	1	1	1	7-21002-9	SCR, BTN SKT HD CAP 5/16-24 X 1.00	41
-	1	1	1	1	23241-6	BALL, STEEL	40
-	1	1	1	1	690170-1	SPRING, COMPRESSION	39
-	1	1	1	1	1-690142-3	DISC, INSULATION	38
-	1	1	1	1	354777-1	WIRE DISC, ASSEMBLY	37
-	1	1	1	1	22480-5	SPRING, COMPRESSION	36
-	1	1	1	1	690212-1	POST, RAM	35
-	1	1	1	1	4-690786-1	TERMINAL SUPPORT	34
-	2	2	2	2	2-21002-4	SCR, BTN SKT HD CAP 8-32 X .750	33
-	1	1	1	1	21024-5	WASHER, SPRG LOCK, REG NO 10	32
-	1	1	1	1	3-21000-4	SCR, SKT HD CAP 10-32 X .375	31
-	1	1	1	1	1320908-8	SPACER, STRIP GUIDE	30
-	1	1	1	1	1633091-4	ASSEMBLY, STRIP GUIDE	29
-	1	1	1	1	1-455888-0	SPACER, CRIMPER	28
-	1	1	1	1	1320928-3	PLATE, STRIP GUIDE	24
-	1	1	1	1	690472-2	STRIPPER	22
-	1	1	1	1	2-21000-7	SCR, SKT HD CAP 8-32 X .500	21
-	4	4	4	4	21024-4	WASHER, SPRG LOCK, REG NO 8	20
-	-	-	-	-	691353-1	STRIPPER	19
-	1	1	1	1	679625-1	SHEAR HOLDER, FRONT (NO CUT)	17
-	1	1	1	1	3-22280-3	SPRING, COMPRESSION	12
-	1	1	1	1	690461-1	STOP, SHEAR	11
-	-	-	-	-	690459-1	SHEAR HOLDER, FRONT	10
-	1	1	1	1	454276-1	FLOATING SHEAR, FRONT	9
1	1	1	1	1	1-1633111-9	ANVIL, COMBINATION .100	8
-	1	1	1	1	6-240641-8	SPACER	7
-	1	1	1	1	1-455889-4	DEPRESSOR, SHEAR	5
-	1	1	1	1	238011-7	BLOCK, CRIMPER SPACER	4
1	1	1	1	1	1-318903-2	CRIMPER, INSULATION OVERLAP	3
1	1	1	1	1	455888-7	SPACER, CRIMPER	2
1	1	1	1	1	9-1633305-1	CRIMPER, WIRE PREMIUM	1

QTY	REV	PART NO	DESCRIPTION	ITEM NO				
- 77	- 6	- 3	- 2	- 1	U/M	PART NO	DESCRIPTION	ITEM NO

# Mouser Electronics

Authorized Distributor

Click to View Pricing, Inventory, Delivery & Lifecycle Information:

[TE Connectivity:](#)

[1852486-2](#)