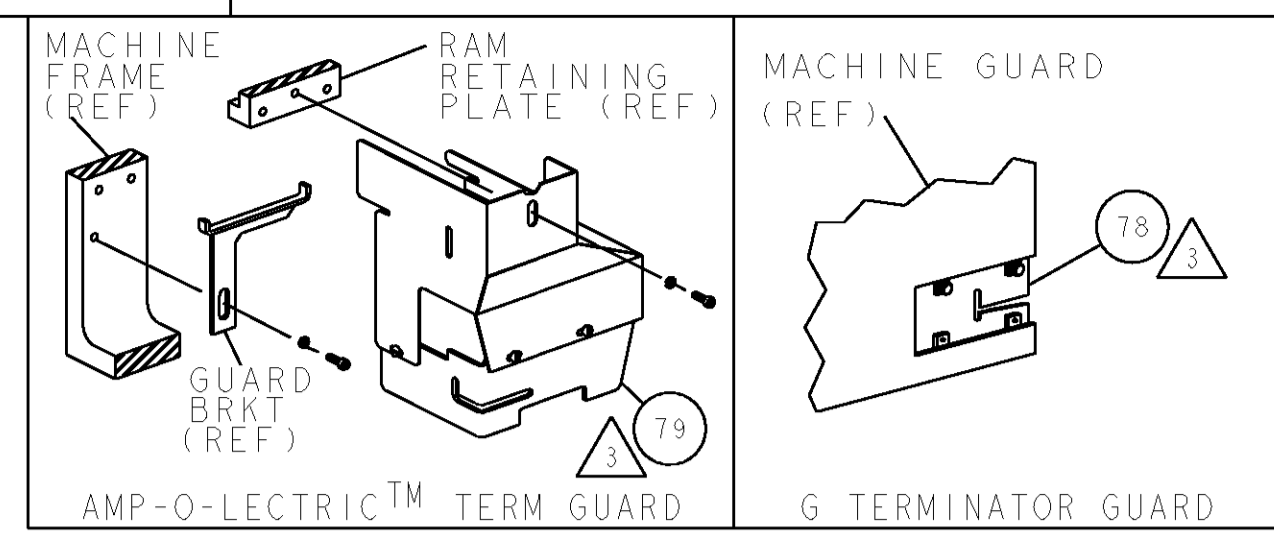


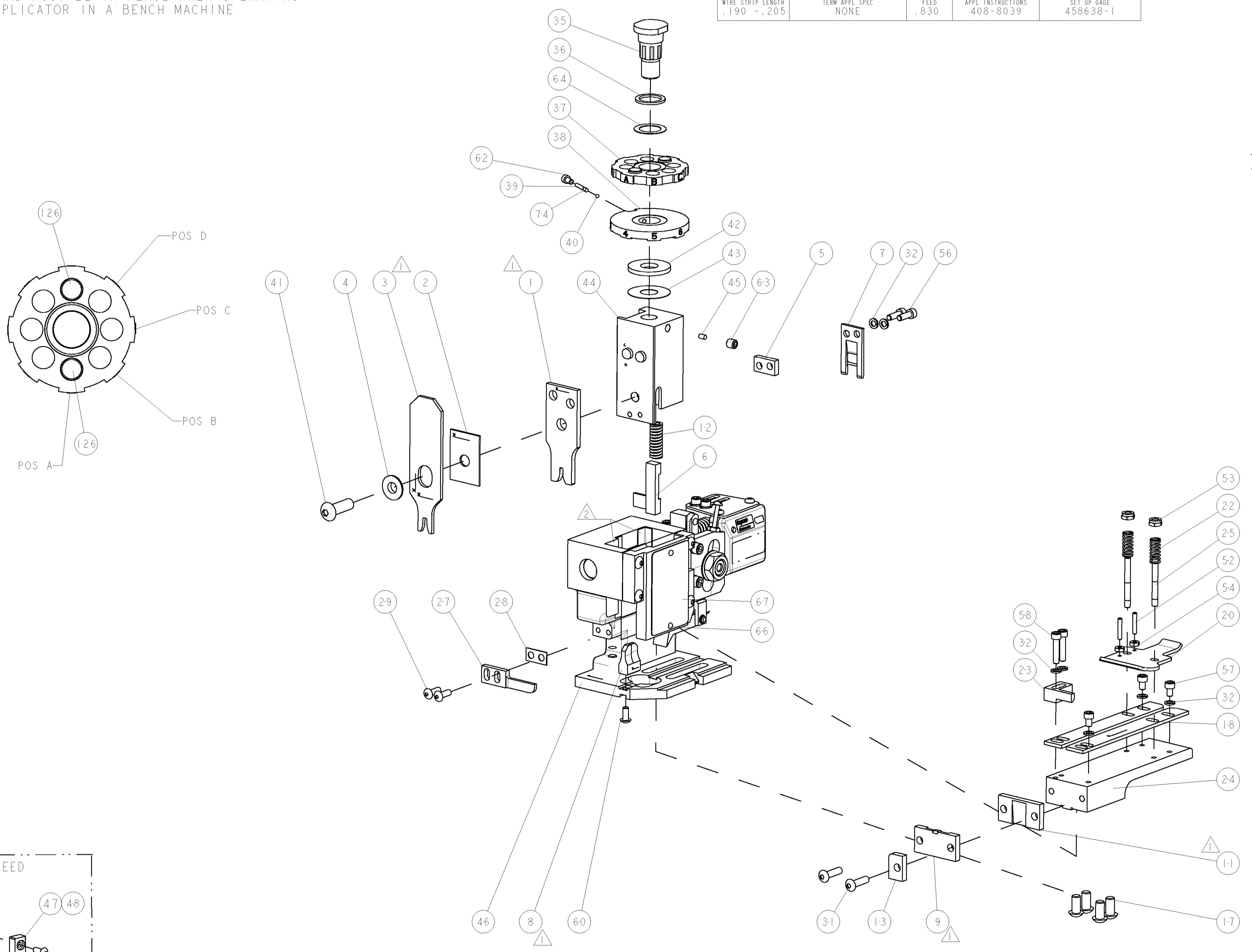
PART NUMBER	REV	FIRST USED	POWER UNIT	FEED TYPE
1852512-1	A	122500-1	LEADMAKER & BENCH MODEL G	POST FEED
1852512-2	A	565435-5	BENCH MODEL K	POST FEED
7-1852512-7	A	-	SPARE PARTS	-



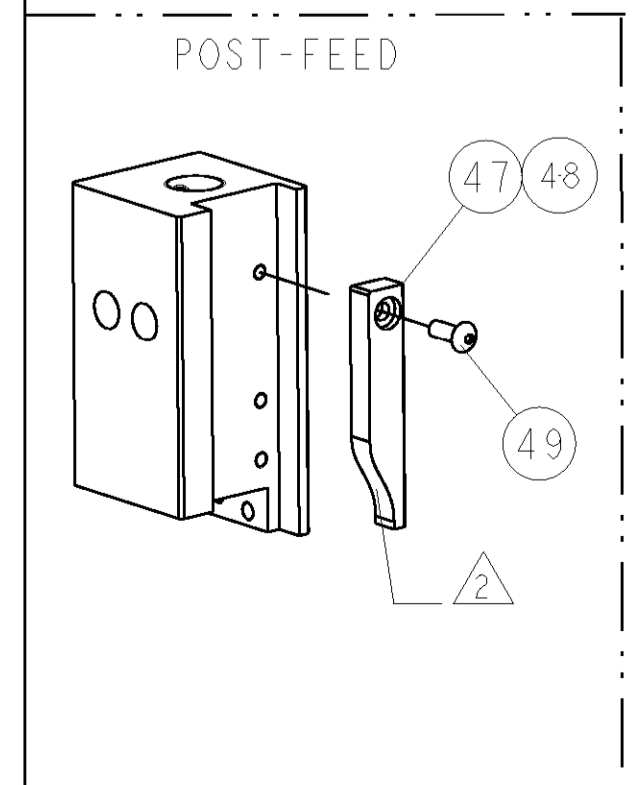
TYCO PN		MANUF'S PN		LEAR TERMINAL - AMP CRIMP SPECS	
1949427-1		101614-FK01			
			PAD LTR	CRIMP HEIGHT	WIRE SIZE
			A	.067±.002 [1.69±0.05mm]	18AWG
			B	-	-
			C	-	-
			D	-	-
			CRIMP	SIZE	TYPE
			WIRE	.100 [2.54mm]	F
			INSUL	.140 [3.56mm]	F
WIRE STRIP LENGTH	TERM APPL SPEC	FEED	APPL INSTRUCTIONS	SET UP GAGE	
.190 - .205	NONE	.830	408-8039	458638-1	

LOC	DIST	REV	DATE	BY	APPV
A	66		31JUL2007	LG	GB

- △ RECOMMENDED SPARE PARTS
- △ GREASE LIGHTLY
- △ GUARD MUST BE IN PLACE WHEN OPERATING APPLICATOR IN A BENCH MACHINE



QTY	REV	DESCRIPTION	ITEM NO
2		9-354778-6 PIN, WIRE DISC, .2975	126
REF		455745-1 GUARD WINDOW	79
REF		679532-1 INSERT, GUARD	78
1		690603-1 SPRING ASSIST AMP-O-MATOR APPLICATOR	74
1		217238-1 GENERAL INSTRUCTION PKG	72
1		4088039 EF APPL INST 408-8039	71
1		461264-1 PLATE, IDENTIFICATION	67
2		21017-2 SCREW, DRIVE	66
1		986950-1 WASHER, FLAT PRECISION	64
1		21009-2 SCR, SET, SELF LOCKING 1/4-20 X .250	63
1		23030-1 SCR, SKT HD CAP 6-32 X .25	62
1		22733-8 SCR, BHSC, SELF-LOCKING, 8-32 X .375	60
2		2-21000-9 SCR, SKT HD CAP 8-32 X .750	58
3		2-21000-5 SCR, SKT HD CAP 8-32 X .250	57
2		2-21000-7 SCR, SKT HD CAP 8-32 X .500	56
2		21018-4 NUT, HEX, REG 4-40	54
2		21022-2 NUT, LOCK, HEX, TORQUE, 8-32	53
2		2-21006-6 SCR, SET, CUP POINT 4-40 X .625	52
1		1-21002-7 SCR, BTN SKT CAP 6-32 X .375	49
1		690501-3 CAM, POST FEED, 1 1/8	48
1		690501-4 CAM, POST FEED, 1 5/8	47
1		458980-1 SUB ASSY, APPLICATOR FRAME	46
1		690191-1 PLUG, NYLON	45
1		455674-1 RAM	44
1		690125-1 SHIM SUB-ASSY	43
1		690124-1 WASHER, RAM (.115)	42
1		7-21002-9 SCR, BTN SKT HD CAP 5/16-24 X 1.00	41
1		23241-6 BALL, STEEL	40
1		690170-1 SPRING, COMPRESSION	39
1		690142-1 DISC, INSULATION	38
1		354777-1 WIRE DISC, ASSEMBLY	37
1		22480-5 SPRING, COMPRESSION	36
1		690212-1 POST, RAM	35
7		21024-4 WASHER, SPRG LOCK, REG NO 8	32
2		2-21002-9 SCR, BTN SKT HD CAP 10-32 X .750	31
2		2-21002-2 SCR, BTN SKT HD CAP 8-32 X .500	29
1		1-690451-7 SPACER, STRIPPER	28
1		240639-1 STRIPPER (MACHINING)	27
2		22354-8 STUD, THREADED	25
1		455678-1 PLATE, STRIP GUIDE	24
1		240825-1 PLATE, STRIP HOLD DOWN	23
2		4-22281-1 SPRING, DRAG	22
1		454177-1 DRAG	20
2		454204-3 GUIDE, LOWER STRIP	18
4		3-21002-3 SCR, BTN SKT HD CAP 1/4-20 X .500	17
1		690481-2 SPACER, HOLD DOWN	13
1		23846-1 SPRING, DIE	12
1		240644-1 PLATE, REAR SHEAR	11
1		690482-1 PLATE, FRONT SHEAR	9
1		1-1633249-8 ANVIL, COMBINATION	8
1		690474-2 BLADE, SLUG	7
1		7-455892-4 HOLD DOWN, TERMINAL	6
1		1-240641-0 SPACER	5
1		238009-4 BLOCK, FL CRIMPER SPACER	4
1		3-683453-1 CRIMPER, INSULATION PREMIUM	3
1		1-455888-1 SPACER, CRIMPER	2
1		456407-6 CRIMPER, WIRE PREMIUM	1



DIMENSIONS: INCHES		TOLERANCES UNLESS OTHERWISE SPECIFIED:		DWN D. PROUSE 09JUL2007		Tyco Electronics Tyco Electronics Harrisburg, PA 17105-3608	
0	PLC	±		APV M. CLIFFORD 09JUL2007	NAME	END FEED HDM APPLICATOR	
1	PLC	±	.01	PRODUCT SPEC			
2	PLC	±	.001	APPLICATION SPEC			
3	PLC	±	.001	WEIGHT			
4	PLC	±	.001	FINISH			
MATERIAL		FINISH		SCALE	SHEET 1 OF 1		REV A
CUSTOMER DRAWING		SCALE 3:5		PART NO		DESCRIPTION	
				77-2-1		ITEM NO	

CUSTOMER VIEWABLE ASSEMBLY

# Mouser Electronics

Authorized Distributor

Click to View Pricing, Inventory, Delivery & Lifecycle Information:

[TE Connectivity:](#)

[1852512-1](#)