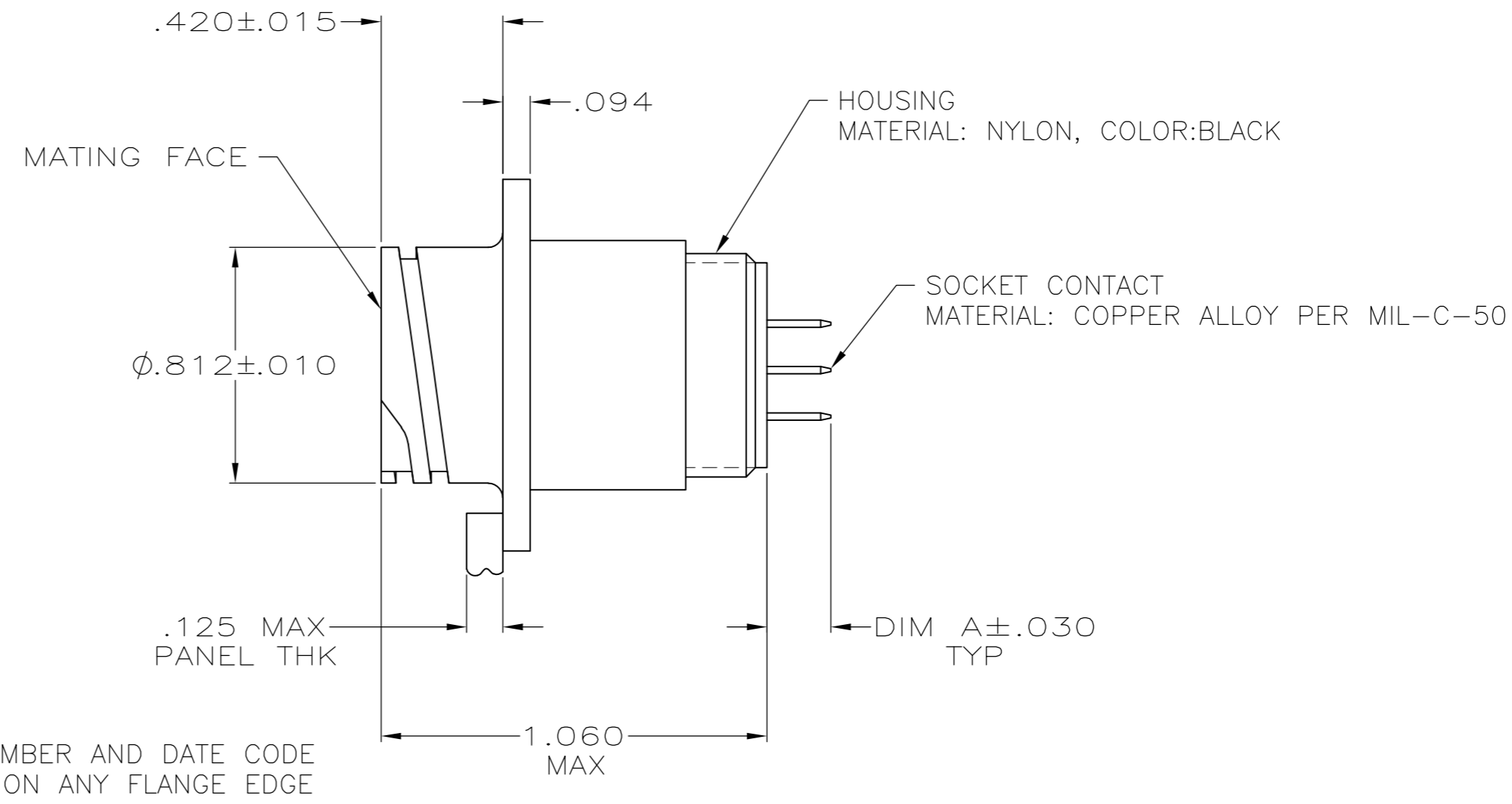
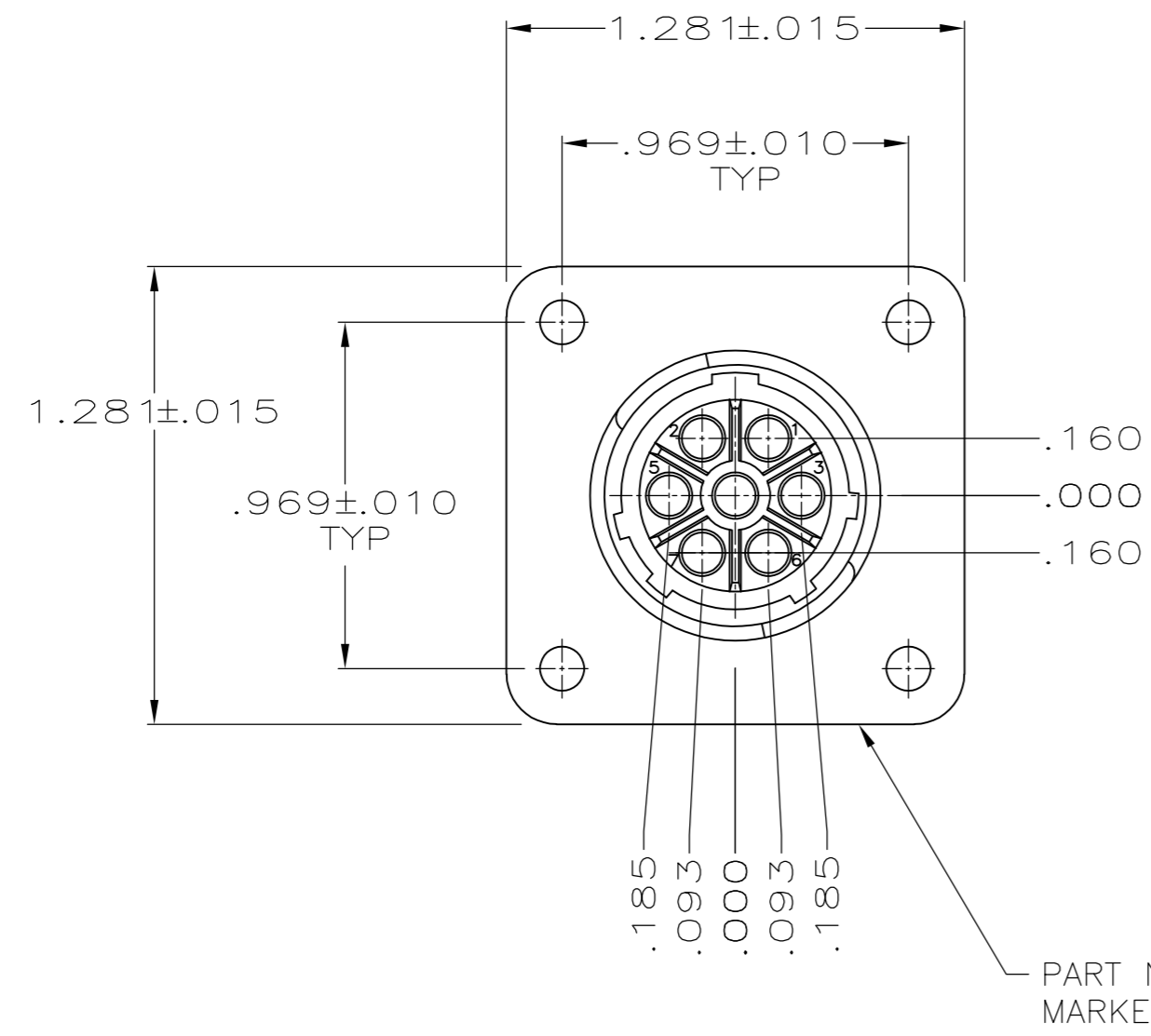


THIS DRAWING IS UNPUBLISHED. RELEASED FOR PUBLICATION  
 © COPYRIGHT - By - ALL RIGHTS RESERVED.

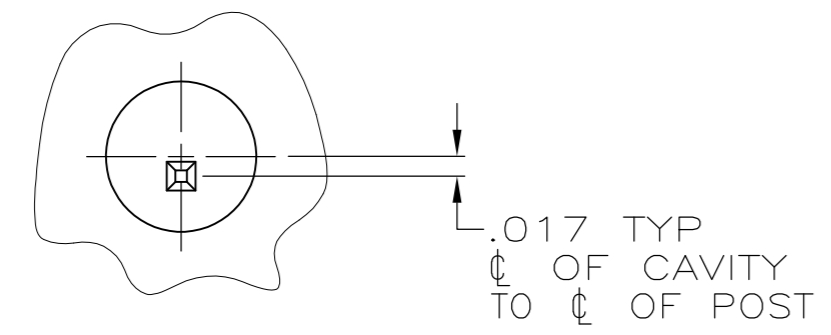
REVISIONS				
P	LTR	DESCRIPTION	DATE	APVD
D1		REVISED PER ECO-16-004800	08SEP2016	NK MZ

- 1 CONTACT BODY: 30 μIN MIN GOLD IN CONTACT AREA, 5 μIN MIN GOLD ON REMAINDER, OVER 30 μIN MIN NICKEL.  
CONTACT POST: 100 μIN MIN TIN OVER 50 μIN MIN NICKEL.
- 2 CONTACT BODY: 30 μIN MIN GOLD IN CONTACT AREA, OVER 30 μIN MIN NICKEL.  
CONTACT POST: 100 μIN MIN TIN-LEADED, OVER 50 μIN MIN NICKEL.



PART NUMBER AND DATE CODE MARKED ON ANY FLANGE EDGE

4-40 THREADED INSERTS QTY: 4 MATERIAL: BRASS



POST ARRANGEMENT ON REAR FACE SCALE 6:1

1986377-2

	.557	1986377-2
OBSOLETE	.220	-1986377-1-
	DIM A	PART NUMBER

	YES	2	1986377-2
OBSOLETE	NO	1	-1986377-1-
	4-40 THREADED INSERTS	CONTACT FINISH	PART NUMBER

THIS DRAWING IS A CONTROLLED DOCUMENT.		DWN S SCHLEGEL 2/27/08	<b>STE</b> TE Connectivity	
DIMENSIONS: INCHES		CHK S HEADER 2/27/08		
TOLERANCES UNLESS OTHERWISE SPECIFIED:		APVD S HEADER 2/27/08	NAME	
0 PLC ± -		PRODUCT SPEC	RECEPTACLE ASSY, POSTED, REV SEX, SERIES 1, SIZE 13-7, CPC	
1 PLC ± -		APPLICATION SPEC	SIZE	RESTRICTED TO
2 PLC ± 0.13 [.005]			CAGE CODE	DRAWING NO
3 PLC ± -			A2	00779
4 PLC ± -			SCALE	1986377
ANGLES ± -		WEIGHT	2:1	1 of 1
FINISH		CUSTOMER DRAWING	SHEET	REV D1
SEE CALLOUTS				

1986377

# Mouser Electronics

Authorized Distributor

Click to View Pricing, Inventory, Delivery & Lifecycle Information:

[TE Connectivity:](#)

[1986377-1](#)