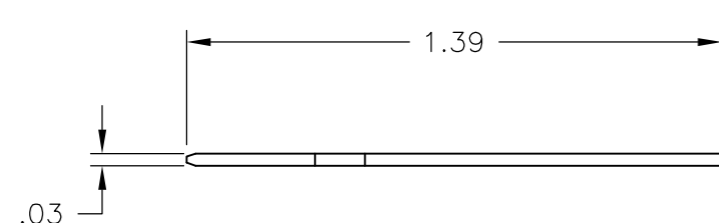
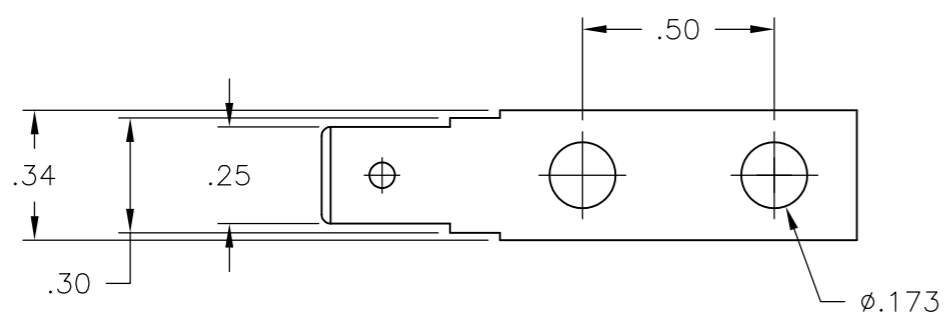


THIS DRAWING IS UNPUBLISHED. RELEASED FOR PUBLICATION
 © COPYRIGHT BY TYCO ELECTRONICS CORPORATION. ALL RIGHTS RESERVED.

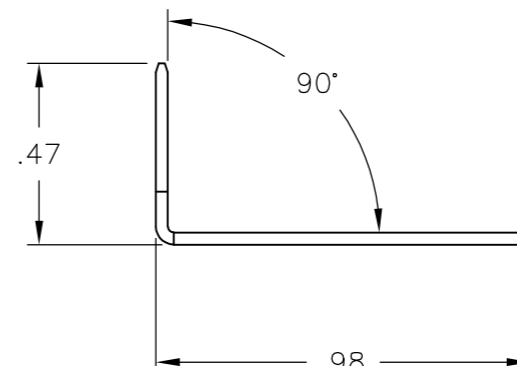
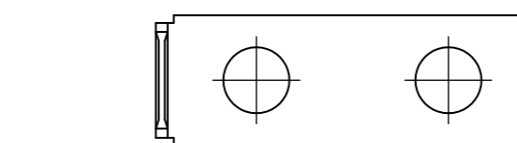
LOC		DIST		REVISIONS			
P	LTR	DESCRIPTION		DATE	DWN	APVD	
	A	REVISED PER ECO-07-010685		5/8/07	SS	SRY	

NOTES:

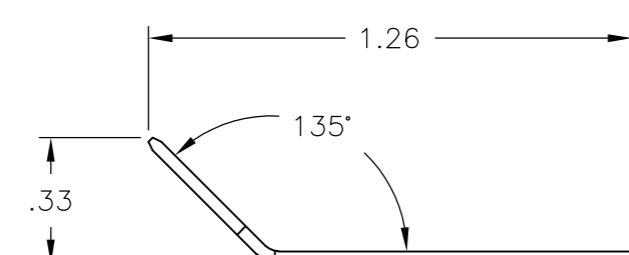
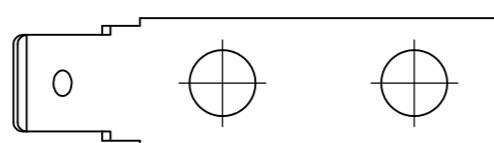
- ⚠ MATERIAL: .032 THICK, BRASS TEMPERED.
- ⚠ FINISH: BRIGHT TIN PLATE.



1776174-1



1776174-3



1776174-2

90°, SGL SIDED	1776174-3
45°, SGL SIDED	1776174-2
FLAT, SGL SIDED	1776174-1
DESCRIPTION	PART NUMBER

THIS DRAWING IS A CONTROLLED DOCUMENT.		DWN	S SCHLEGEL	8/16/04	Tyco Electronics Corporation Harrisburg, Pa 17105-3608
DIMENSIONS: INCHES		CHK	S YODER	8/16/04	
TOLERANCES UNLESS OTHERWISE SPECIFIED:		APVD	S YODER	8/16/04	
0 PLC ± - 1 PLC ± - 2 PLC ± .02 3 PLC ± .010 4 PLC ± - ANGLES ± 3°		PRODUCT SPEC	NAME		
MATERIAL - ⚠		FINISH - ⚠	WEIGHT -		.250 QC TABS, SINGLE SIDED, .563 DOUBLE ROW SERIES
CUSTOMER DRAWING		SCALE	NTS	SHEET	1 OF 1
		REV	A	RESTRICTED TO	

1776174

1776174