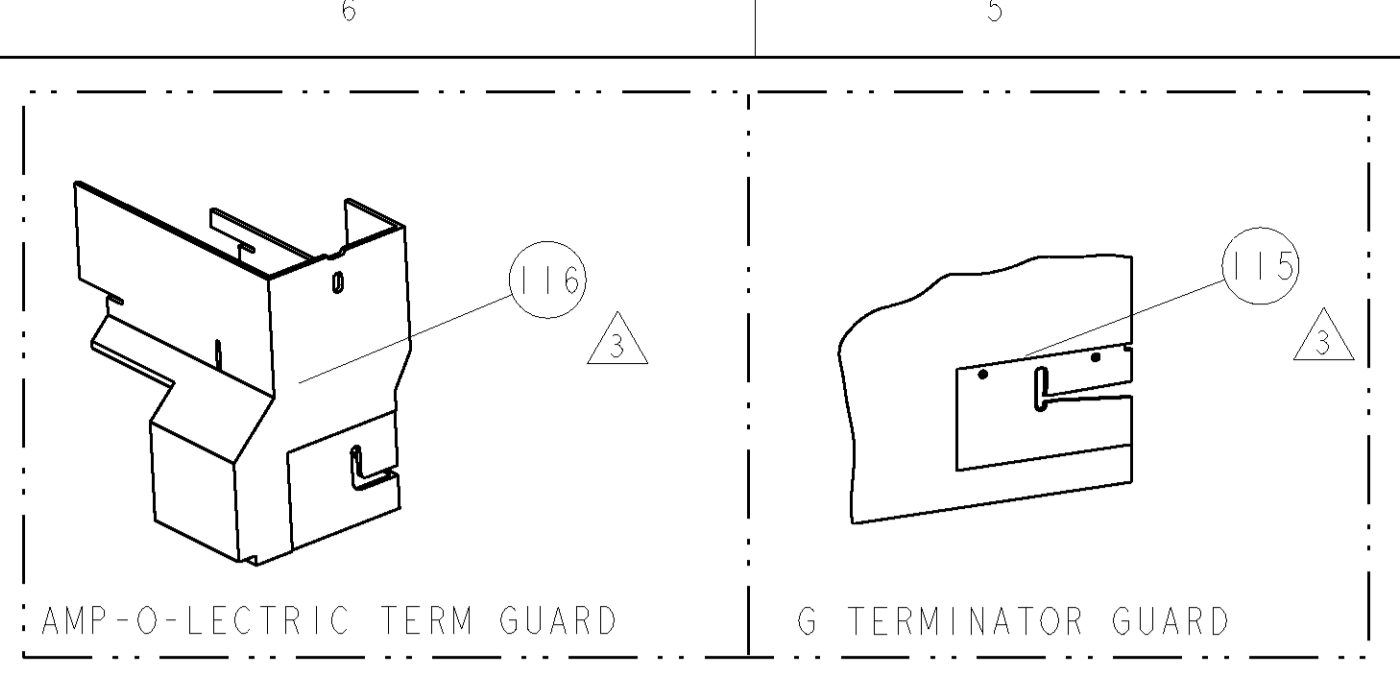


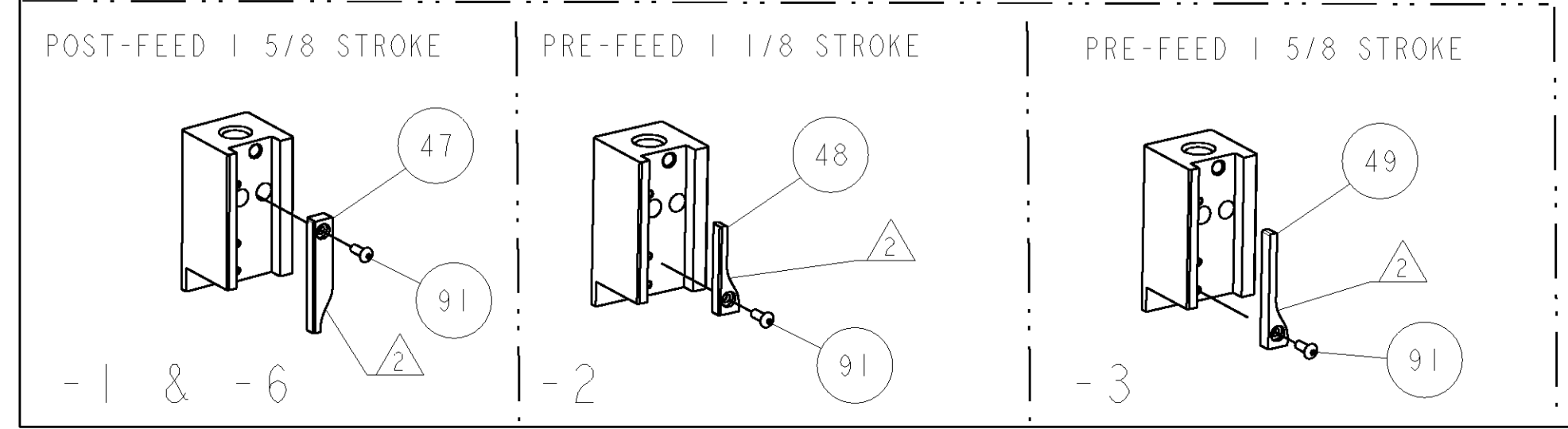
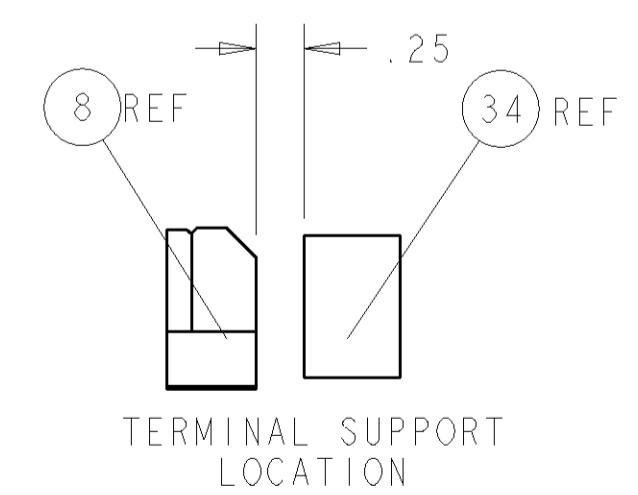
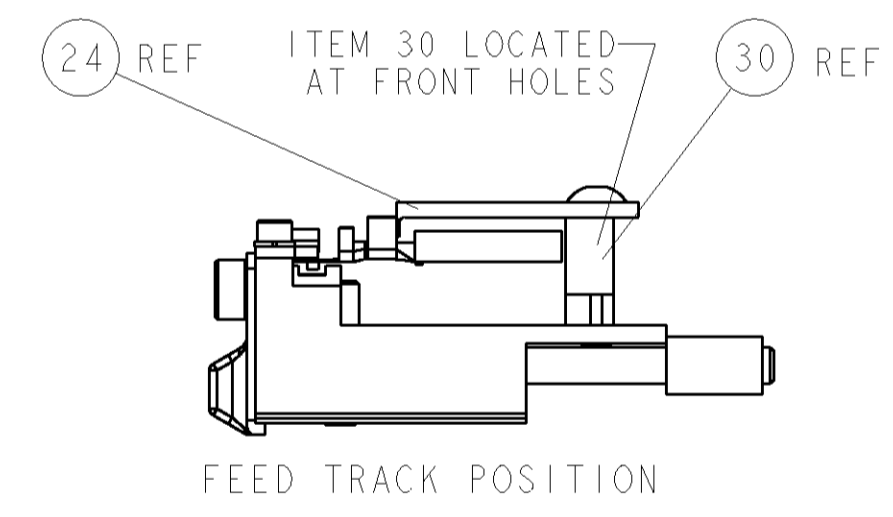
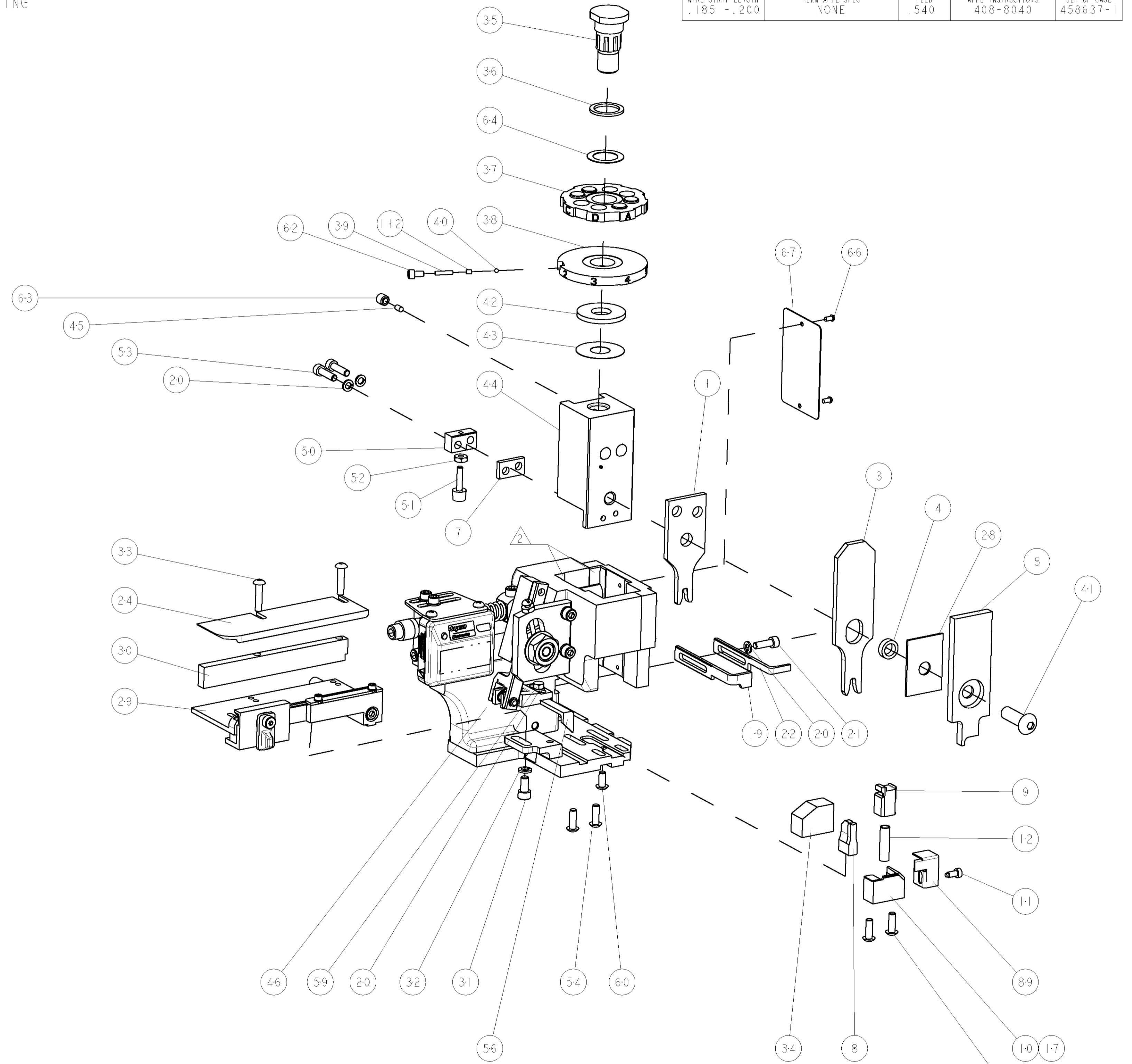
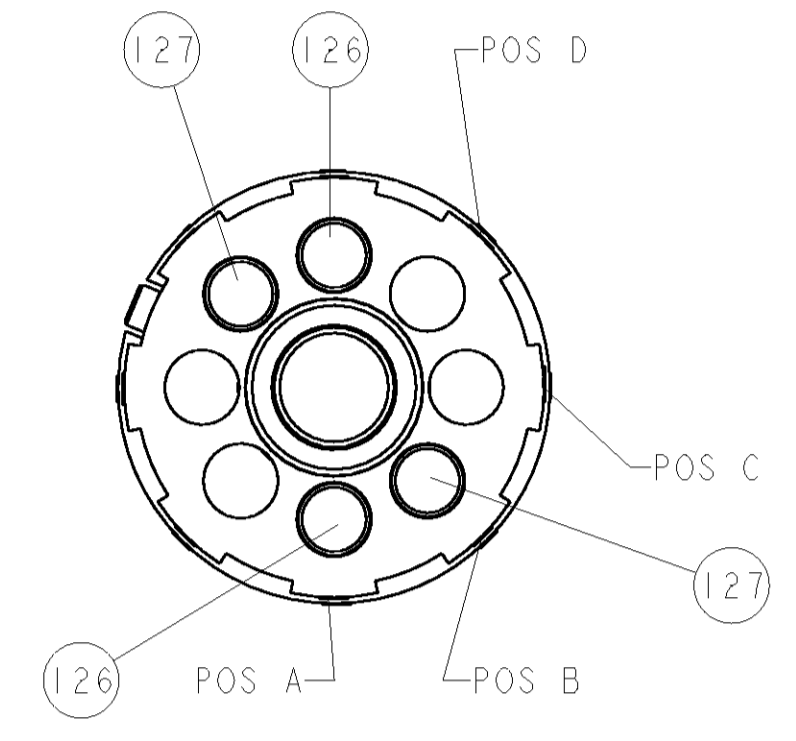
| PART NUMBER | REV | FIRST USED | POWER UNIT | FEED TYPE | DESCRIPTION |
|-------------|-----|------------|---------------|-----------|--------------------|
| 1852306-1 | B | 122500-1 | LEADMAKER | POST FEED | CUTS CARRIER |
| 1852306-2 | B | 565435-5 | BENCH MODEL K | PRE FEED | CUTS CARRIER |
| 1852306-3 | B | 354500-1 | BENCH MODEL G | PRE FEED | CUTS CARRIER |
| 1852306-6 | B | 122500-1 | LEADMAKER | POST FEED | CONTINUOUS CARRIER |
| 7-1852306-7 | A | - | - | - | SPARE PARTS |



| TERMINAL NAME: PIN RCPT, 2.8 | | | | | |
|------------------------------|----------------|--|--------------------------|-------------|-----------|
| TE PN | MANF PN | CARBELL TERMINAL - CARDELL CRIMP SPECS | | | |
| 1949101 | F6DB-14487-AA | | | | |
| | | PAD LTR | CRIMP HEIGHT | WIRE SIZE | |
| - | - | A | 2.40 ±0.05mm [.094±.002] | 10 AWG | |
| - | - | B | 1.90 ±0.05mm [.075±.002] | 12 AWG | |
| - | - | C | - | - | |
| - | - | D | - | - | |
| | | CRIMP | SIZE | TYPE | RANGE |
| - | - | - | 3.33mm [.131] | F | 10-12 AWG |
| - | - | WIRE | 4.32mm [1.701] | O | 4.0MAX |
| | | INSUL | - | - | - |
| WIRE STRIP LENGTH | TERM APPL SPEC | FEED | APPL INSTRUCTIONS | SET UP GAGE | |
| .185 - .200 | NONE | .540 | 408-8040 | 458637-1 | |

| LOC | DIST | REVISIONS | | | | |
|-----|------|-----------|-----------------|-----------|-----|------|
| A | 66 | P LTR | DESCRIPTION | DATE | DWN | APVD |
| | | A | PRODUCT RELEASE | 11OCT2006 | CMR | GB |
| | | B | ECR-08-008541 | 03APR2008 | MY | TE |

- ▲ RECOMMENDED SPARE PARTS
- ▲ GREASE LIGHTLY
- ▲ GUARD MUST BE IN PLACE WHEN OPERATING APPLICATOR IN A BENCH MACHINE



| | | | | | | | | |
|---|---|---|-----|---|----|-------------|---------------------------------------|-----|
| - | 2 | 2 | 2 | 2 | - | 8-354778-1 | PIN, WIRE DISC, .2900 | 127 |
| - | 2 | 2 | 2 | 2 | - | 4-354778-1 | PIN, WIRE DISC, .2700 | 126 |
| - | - | - | REF | - | .. | 455749-1 | GUARD WINDOW | 116 |
| - | - | - | REF | - | .. | 679532-1 | INSERT, GUARD | 115 |
| - | 1 | 1 | 1 | 1 | - | 690603-1 | SPRING ASSIST AMP-O-MATOR APPLICATOR | 112 |
| - | 1 | 1 | 1 | 1 | - | 1-21002-7 | SCR, BTN SKT HD CAP 6-32 X .375 | 91 |
| - | 1 | 1 | 1 | 1 | - | 318563-1 | GUARD, FRONT CHIP | 89 |
| - | 1 | 1 | 1 | 1 | - | 4088040 | SF APPL INST 408-8040 | 72 |
| - | 1 | 1 | 1 | 1 | - | 217238-1 | GENERAL INSTRUCTION PKG | 71 |
| - | 1 | 1 | 1 | 1 | - | 461264-1 | PLATE, IDENTIFICATION | 67 |
| - | 2 | 2 | 2 | 2 | - | 21017-2 | SCREW, DRIVE | 66 |
| - | 1 | 1 | 1 | 1 | - | 986950-1 | WASHER, FLAT PRECISION | 64 |
| - | 1 | 1 | 1 | 1 | - | 21009-2 | SCR, SET, SELF LOCKING 1/4-20 X .250 | 63 |
| - | 1 | 1 | 1 | 1 | - | 23030-1 | SCR, SKT HD CAP 6-32 X .25 | 62 |
| - | 1 | 1 | 1 | 1 | - | 22733-8 | SCR, BHSC, SELF-LOCKING, 8-32 X .375 | 60 |
| - | 1 | 1 | 1 | 1 | - | 2-22603-0 | SCR, HEX HD CAP 8-32 X .312 | 59 |
| - | 1 | 1 | 1 | 1 | - | 458537-2 | PAWL, FEED | 56 |
| - | 4 | 4 | 4 | 4 | - | 2-21002-2 | SCR, BTN SKT HD CAP 8-32 X .500 | 54 |
| - | 2 | 2 | 2 | 2 | - | 2-21000-8 | SCR, SKT HD CAP 8-32 X .625 | 53 |
| - | 1 | 1 | 1 | 1 | - | 21018-5 | NUT, HEX, REG 6-32 | 52 |
| - | 1 | 1 | 1 | 1 | - | 811242-2 | BUMPER, HOLD DOWN | 51 |
| - | 1 | 1 | 1 | 1 | - | 690753-1 | SPACER, TONKER | 50 |
| - | - | - | - | - | .. | 690602-6 | CAM, PRE FEED, 1 5/8 | 49 |
| - | - | - | - | - | .. | 690602-5 | CAM, PRE FEED, 1 1/8 | 48 |
| - | 1 | - | - | - | - | 690501-4 | CAM, POST FEED, 1 5/8 | 47 |
| - | 1 | 1 | 1 | 1 | - | 459456-1 | APPL. BASIC SUB ASSY (SIDE WISE MOCA) | 46 |
| - | 1 | 1 | 1 | 1 | - | 690191-1 | PLUG, NYLON | 45 |
| - | 1 | 1 | 1 | 1 | - | 455673-1 | RAM, SIDE FEED | 44 |
| - | 1 | 1 | 1 | 1 | - | 690125-1 | SHIM SUB-ASSY | 43 |
| - | 1 | 1 | 1 | 1 | - | 690124-1 | WASHER, RAM (.115) | 42 |
| - | 1 | 1 | 1 | 1 | - | 7-21002-9 | SCR, BTN SKT HD CAP 5/16-24 X 1.00 | 41 |
| - | 1 | 1 | 1 | 1 | - | 23241-6 | BALL, STEEL | 40 |
| - | 1 | 1 | 1 | 1 | - | 690170-1 | SPRING, COMPRESSION | 39 |
| - | 1 | 1 | 1 | 1 | - | 1-690142-1 | DISC, INSULATION | 38 |
| - | 1 | 1 | 1 | 1 | - | 354777-1 | WIRE DISC, ASSEMBLY | 37 |
| - | 1 | 1 | 1 | 1 | - | 22480-5 | SPRING, COMPRESSION | 36 |
| - | 1 | 1 | 1 | 1 | - | 690212-1 | POST, RAM | 35 |
| - | 1 | 1 | 1 | 1 | - | 2-690786-3 | TERMINAL SUPPORT | 34 |
| - | 2 | 2 | 2 | 2 | - | 2-21002-4 | SCR, BTN SKT HD CAP 8-32 X .750 | 33 |
| - | 1 | 1 | 1 | 1 | - | 21024-5 | WASHER, SPRG LOCK, REG NO 10 | 32 |
| - | 1 | 1 | 1 | 1 | - | 3-21000-4 | SCR, SKT HD CAP 10-32 X .375 | 31 |
| - | 1 | 1 | 1 | 1 | - | 1320908-3 | SPACER, STRIP GUIDE | 30 |
| - | 1 | 1 | 1 | 1 | - | 1633091-7 | ASSEMBLY, STRIP GUIDE | 29 |
| - | 1 | 1 | 1 | 1 | - | 1-455888-0 | SPACER, CRIMPER | 28 |
| - | 1 | 1 | 1 | 1 | - | 1320928-1 | PLATE, STRIP GUIDE | 24 |
| - | 1 | - | - | - | - | 690472-2 | STRIPPER | 22 |
| - | 1 | 1 | 1 | 1 | - | 2-21000-7 | SCR, SKT HD CAP 8-32 X .500 | 21 |
| - | 4 | 4 | 4 | 4 | - | 21024-4 | WASHER, SPRG LOCK, REG NO 8 | 20 |
| - | - | - | - | - | - | 691353-1 | STRIPPER | 19 |
| - | 1 | - | - | - | - | 679625-2 | SHEAR HOLDER, FRONT (NO CUT) | 17 |
| - | 1 | 1 | 1 | 1 | - | 3-22280-3 | SPRING, COMPRESSION | 12 |
| - | 1 | 1 | 1 | 1 | - | 690461-2 | STOP, SHEAR | 11 |
| - | - | - | - | - | - | 1-690459-0 | SHEAR HOLDER, FRONT | 10 |
| - | 1 | 1 | 1 | 1 | - | 454276-5 | FLOATING SHEAR, FRONT | 9 |
| - | 1 | 1 | 1 | 1 | - | 7-1633116-5 | ANVIL, COMBINATION | 8 |
| - | 1 | 1 | 1 | 1 | - | 5-240641-2 | SPACER | 7 |
| - | 1 | 1 | 1 | 1 | - | 2-455889-0 | DEPRESSOR, SHEAR | 5 |
| - | 1 | 1 | 1 | 1 | - | 4-238011-5 | BLOCK, CRIMPER SPACER | 4 |
| - | 1 | 1 | 1 | 1 | - | 8-904741-1 | CRIMPER, INSUL O PREMIUM | 3 |
| - | 1 | 1 | 1 | 1 | - | 6-1633305-4 | CRIMPER, WIRE PREMIUM | 1 |

| DIMENSIONS: | | TOLERANCES UNLESS OTHERWISE SPECIFIED: | | MATERIAL: | | FINISH: | | WEIGHT: | | CUSTOMER DRAWING: | |
|-------------|--------|--|--------|-----------|--|---------|--|---------|--|-------------------|--|
| INCHES | 9 PLC | ± | 0.01 | | | | | | | | |
| | 1 PLC | ± | 0.01 | | | | | | | | |
| | 3 PLC | ± | 0.01 | | | | | | | | |
| | 4 PLC | ± | 0.001 | | | | | | | | |
| | ANGLES | ± | 0.0001 | | | | | | | | |