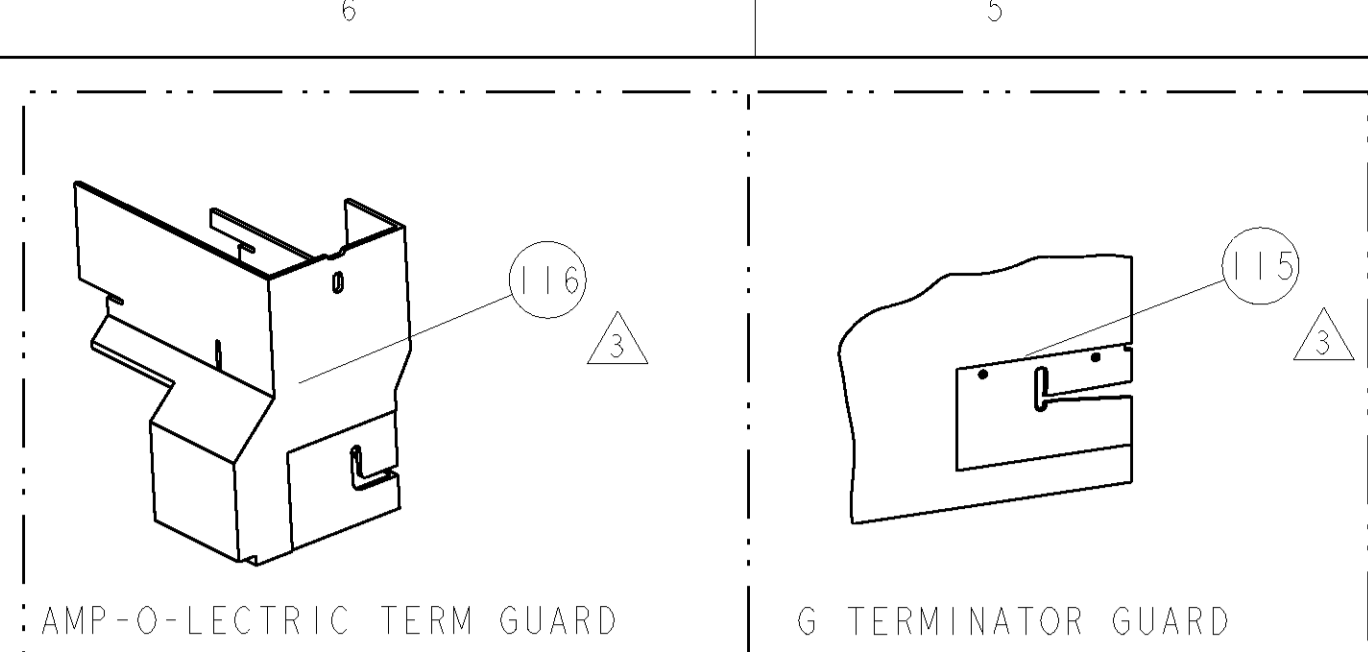


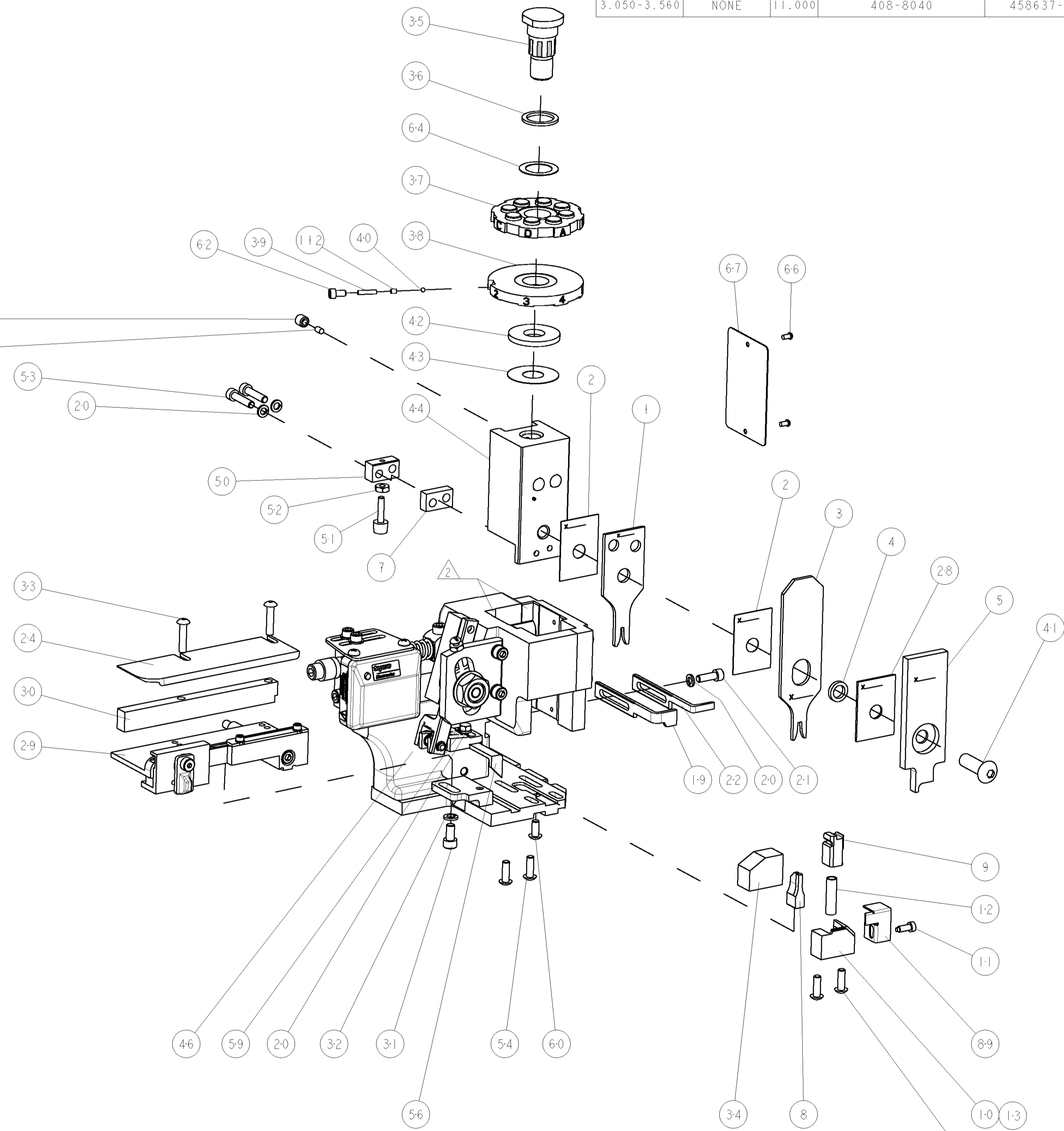
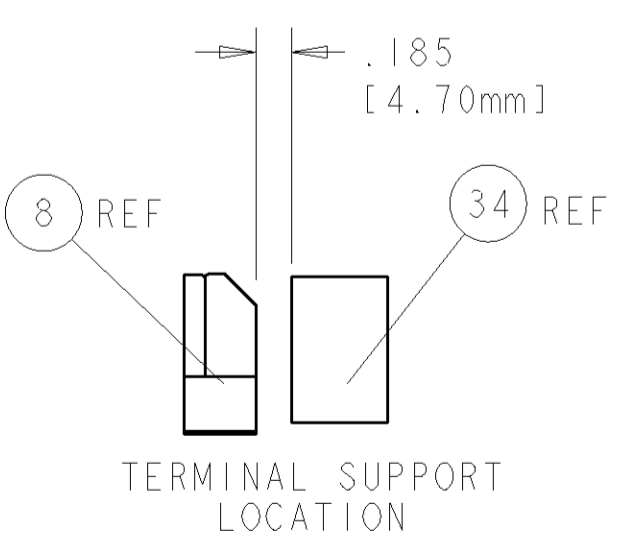
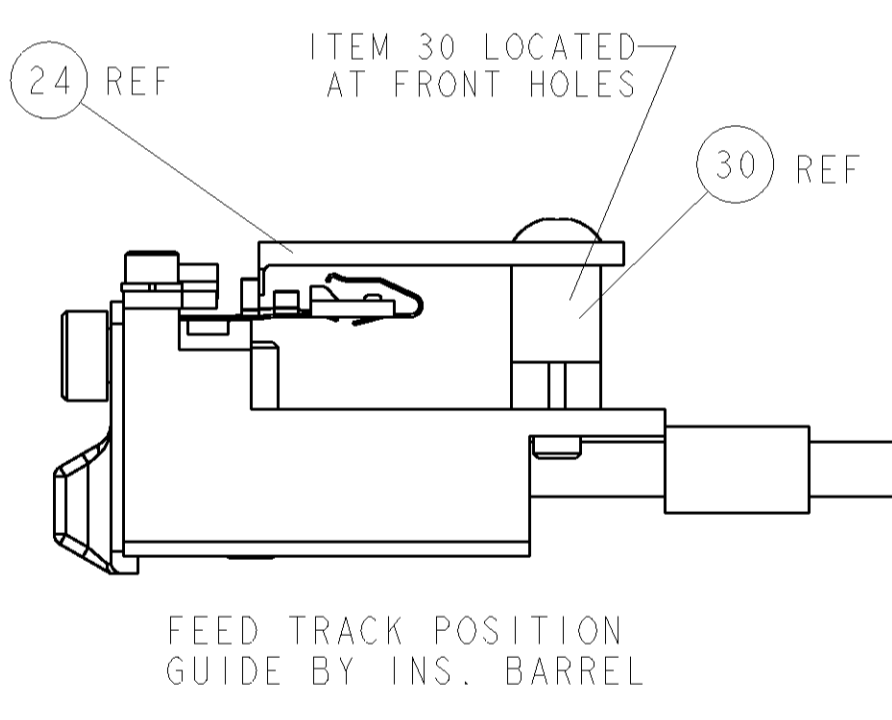
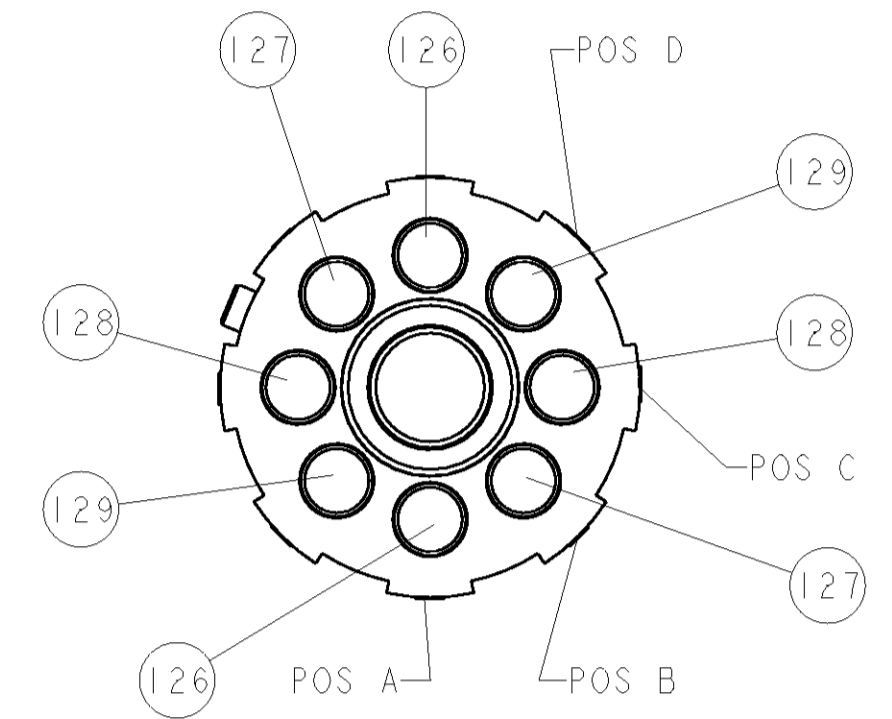
PART NUMBER	REV	FIRST USED	POWER UNIT	FEED TYPE	DESCRIPTION
1852650-1	A	122500-1	LEADMAKER	POST FEED	CUTS CARRIER
1852650-2	A	565435-5	BENCH MODEL K	PRE FEED	CUTS CARRIER
1852650-3	A	354500-1	BENCH MODEL G	PRE FEED	CUTS CARRIER
1852650-6	A	122500-1	LEADMAKER	POST FEED	CONTINUOUS CARRIER
7-1852650-7	A	-	-	-	SPARE PARTS



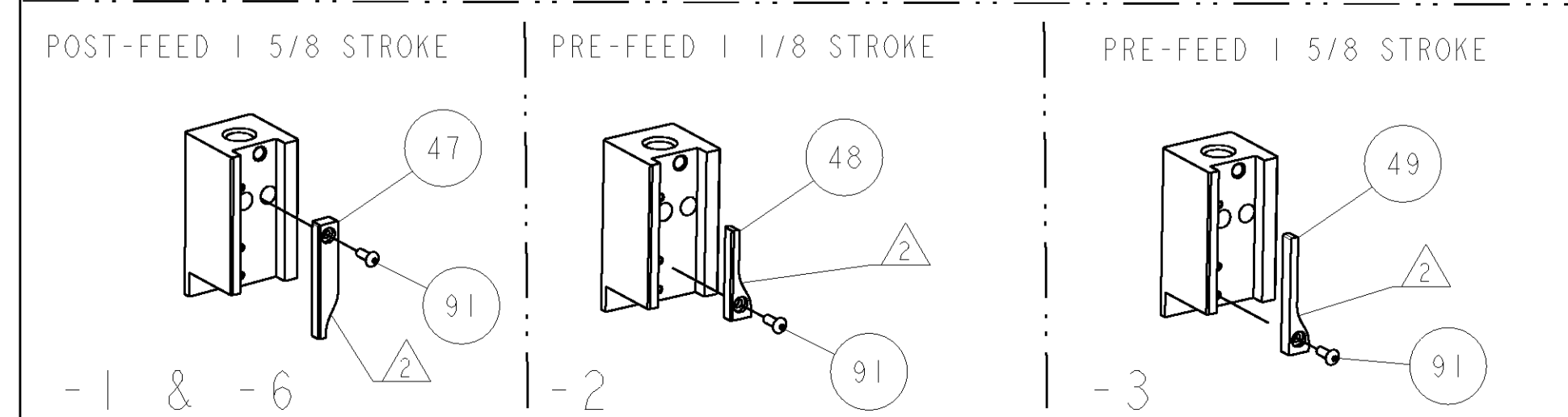
TERMINAL NAME: 3.96mm (.156") PITCH DOUBLE-SIDED EDGE KK® CONNECTOR			
TE P/N	MOLEX P/N	MOLEX TERMINAL - MOLEX CRIMP SPECS	
1949625-1	08-05-0301		
1949625-2	08-03-0303		
		PAD LTR	CRIMP HEIGHT
			WIRE SIZE
-	-	A 1.12mm+ .025/- .025 [1.044+ .001/- .001]	18AWG or 0.8mm2
-	-	B 1.07mm+ .025/- .025 [1.042+ .001/- .001]	20AWG or 0.5mm2
-	-	C 0.99mm+ .030/- .030 [1.039+ .001/- .001]	22AWG or 0.35mm2
-	-	D 0.94mm+ .025/- .025 [1.037+ .001/- .001]	24AWG or 0.2mm2
		CRIMP	SIZE
			TYPE
			RANGE
		WIRE	1.96mm [.077]
		INSUL	2.82mm [.111]
		FEED	11.000
		APPLICATOR INSTRUCTIONS	408-8040
		SET UP GAGE	458637-1
WIRE STRIP LENGTH	TERM APPL SPEC	FEED	APPLICATOR INSTRUCTIONS
3.050-3.560	NONE	11.000	408-8040

LOC	DIST	REVISIONS			
A	66	P LTR	DESCRIPTION	DATE	DWN
		A	RELEASED	17MAR2008	RK GB

- △ RECOMMENDED SPARE PARTS
- △ GREASE LIGHTLY
- △ GUARD MUST BE IN PLACE WHEN OPERATING APPLICATOR IN A BENCH MACHINE



-	2	2	2	2	-	3-354779-5	PIN, WIRE DISC, .3165	129
-	2	2	2	2	-	3-354779-1	PIN, WIRE DISC, .3145	128
-	2	2	2	2	-	2-354779-5	PIN, WIRE DISC, .3115	127
-	2	2	2	2	-	2-354779-2	PIN, WIRE DISC, .3100	126
△	-	-	REF	-	..	455749-1	GUARD WINDOW	116
△	-	-	REF	-	..	679532-1	INSERT, GUARD	115
-	1	1	1	1	-	690603-1	SPRING ASSIST AMP-O-MATOR APPLICATOR	112
-	1	1	1	1	-	1-21002-7	SCR, BTN SKT HD CAP 6-32 X .375	91
-	1	1	1	1	-	318563-1	GUARD, FRONT CHIP	89
-	1	1	1	1	-	455888-3	SPACER, CRIMPER	82
-	1	1	1	1	-	4088040	SF APPL INST 408-8040	72
-	1	1	1	1	-	217238-1	GENERAL INSTRUCTION PKG	71
-	1	1	1	1	-	461264-1	PLATE, IDENTIFICATION	67
-	2	2	2	2	-	21017-2	SCREW, DRIVE	66
-	1	1	1	1	-	986950-1	WASHER, FLAT PRECISION	64
-	1	1	1	1	-	21009-2	SCR, SET, SELF LOCKING 1/4-20 X .250	63
-	1	1	1	1	-	23030-1	SCR, SKT HD CAP 6-32 X .25	62
-	1	1	1	1	-	22733-8	SCR, BHSC, SELF-LOCKING, 8-32 X .375	60
-	1	1	1	1	-	2-22603-0	SCR, HEX HD CAP 8-32 X .312	59
-	1	1	1	1	-	458537-2	PAWL, FEED	56
-	4	4	4	4	-	2-21002-2	SCR, BTN SKT HD CAP 8-32 X .500	54
-	2	2	2	2	-	2-21000-9	SCR, SKT HD CAP 8-32 X .750	53
-	1	1	1	1	-	21018-5	NUT, HEX, REG 6-32	52
-	1	1	1	1	-	811242-2	BUMPER, HOLD DOWN	51
-	1	1	1	1	-	690753-1	SPACER, TONKER	50
-	-	-	1	-	..	690602-6	CAM, PRE FEED, 1 5/8	49
-	-	-	1	-	..	690602-5	CAM, PRE FEED, 1 1/8	48
-	1	-	-	1	-	690501-4	CAM, POST FEED, 1 5/8	47
-	1	1	1	1	-	459456-1	APPL. BASIC SUB ASSY (SIDE WISE MOCA)	46
-	1	1	1	1	-	690191-1	PLUG, NYLON	45
-	1	1	1	1	-	455673-1	RAM, SIDE FEED	44
-	1	1	1	1	-	690125-1	SHIM SUB-ASSY	43
-	1	1	1	1	-	1-690124-4	WASHER, RAM (.120)	42
-	1	1	1	1	-	7-21002-9	SCR, BTN SKT HD CAP 5/16-24 X 1.00	41
-	1	1	1	1	-	23241-6	BALL, STEEL	40
-	1	1	1	1	-	690170-1	SPRING, COMPRESSION	39
-	1	1	1	1	-	690142-1	DISC, INSULATION	38
-	1	1	1	1	-	354777-1	WIRE DISC, ASSEMBLY	37
-	1	1	1	1	-	22480-5	SPRING, COMPRESSION	36
-	1	1	1	1	-	690212-1	POST, RAM	35
-	1	1	1	1	-	690786-3	TERMINAL SUPPORT	34
-	2	2	2	2	-	2-21002-4	SCR, BTN SKT HD CAP 8-32 X .750	33
-	1	1	1	1	-	21024-5	WASHER, SPRG LOCK, REG NO 10	32
-	1	1	1	1	-	3-21000-4	SCR, SKT HD CAP 10-32 X .375	31
-	1	1	1	1	-	1320908-1	SPACER, STRIP GUIDE	30
-	1	1	1	1	-	1633091-1	ASSEMBLY, STRIP GUIDE	29
-	1	1	1	1	-	1-455888-0	SPACER, CRIMPER	28
-	1	1	1	1	-	1320928-1	PLATE, STRIP GUIDE	24
-	1	1	1	1	-	690472-2	STRIPPER	22
-	1	1	1	1	-	2-21000-7	SCR, SKT HD CAP 8-32 X .500	21
-	4	4	4	4	-	21024-4	WASHER, SPRG LOCK, REG NO 8	20
-	-	1	1	-	-	691353-1	STRIPPER	19
△	-	1	1	-	-	679625-1	SHEAR HOLDER, FRONT (NO CUT)	13
△	-	1	1	1	-	3-22280-3	SPRING, COMPRESSION	12
△	-	1	1	1	-	690461-1	STOP, SHEAR	11
△	-	1	1	1	-	690459-1	SHEAR HOLDER, FRONT	10
△	-	1	1	1	-	454276-1	FLOATING SHEAR, FRONT	9
△	1	1	1	1	-	6-1633535-4	ANVIL, COMBINATION	8
-	1	1	1	1	-	6-240641-5	SPACER	7
-	-	-	-	-	..	-	-	6
-	1	1	1	1	-	1-455889-4	DEPRESSOR, SHEAR	5
-	1	1	1	1	-	1-238011-0	BLOCK, CRIMPER SPACER	4
△	1	1	1	1	-	2-1633511-2	CRIMPER, INSULATION F	3
△	1	1	1	1	-	455888-3	SPACER, CRIMPER	2
△	1	1	1	1	-	1633609-8	CRIMPER, WIRE	1



DIMENSIONS:		TOLERANCES UNLESS OTHERWISE SPECIFIED:	
INCHES	9 PLC ±.01	3 PLC ±.001	4 PLC ±.0001
	10 PLC ±.001	11 PLC ±.0001	12 ANGLE ±.0001
	13 PLC ±.001	14 PLC ±.0001	
	15 PLC ±.001	16 PLC ±.0001	
	17 PLC ±.001	18 PLC ±.0001	
	19 PLC ±.001	20 PLC ±.0001	
	21 PLC ±.001	22 PLC ±.0001	
	23 PLC ±.001	24 PLC ±.0001	
	25 PLC ±.001	26 PLC ±.0001	
	27 PLC ±.001	28 PLC ±.0001	
	29 PLC ±.001	30 PLC ±.0001	
	31 PLC ±.001	32 PLC ±.0001	
	33 PLC ±.001	34 PLC ±.0001	
	35 PLC ±.001	36 PLC ±.0001	
	37 PLC ±.001	38 PLC ±.0001	
	39 PLC ±.001	40 PLC ±.0001	
	41 PLC ±.001	42 PLC ±.0001	
	43 PLC ±.001	44 PLC ±.0001	
	45 PLC ±.001	46 PLC ±.0001	
	47 PLC ±.001	48 PLC ±.0001	
	49 PLC ±.001	50 PLC ±.0001	
	51 PLC ±.001	52 PLC ±.0001	
	53 PLC ±.001	54 PLC ±.0001	
	55 PLC ±.001	56 PLC ±.0001	
	57 PLC ±.001	58 PLC ±.0001	
	59 PLC ±.001	60 PLC ±.0001	
	61 PLC ±.001	62 PLC ±.0001	
	63 PLC ±.001	64 PLC ±.0001	
	65 PLC ±.001	66 PLC ±.0001	
	67 PLC ±.001	68 PLC ±.0001	
	69 PLC ±.001	70 PLC ±.0001	
	71 PLC ±.001	72 PLC ±.0001	
	73 PLC ±.001	74 PLC ±.0001	
	75 PLC ±.001	76 PLC ±.0001	
	77 PLC ±.001	78 PLC ±.0001	
	79 PLC ±.001	80 PLC ±.0001	
	81 PLC ±.001	82 PLC ±.0001	
	83 PLC ±.001	84 PLC ±.0001	
	85 PLC ±.001	86 PLC ±.0001	
	87 PLC ±.001	88 PLC ±.0001	
	89 PLC ±.001	90 PLC ±.0001	
	91 PLC ±.001	92 PLC ±.0001	
	93 PLC ±.001	94 PLC ±.0001	
	95 PLC ±.001	96 PLC ±.0001	
	97 PLC ±.001	98 PLC ±.0001	
	99 PLC ±.001	100 PLC ±.0001	