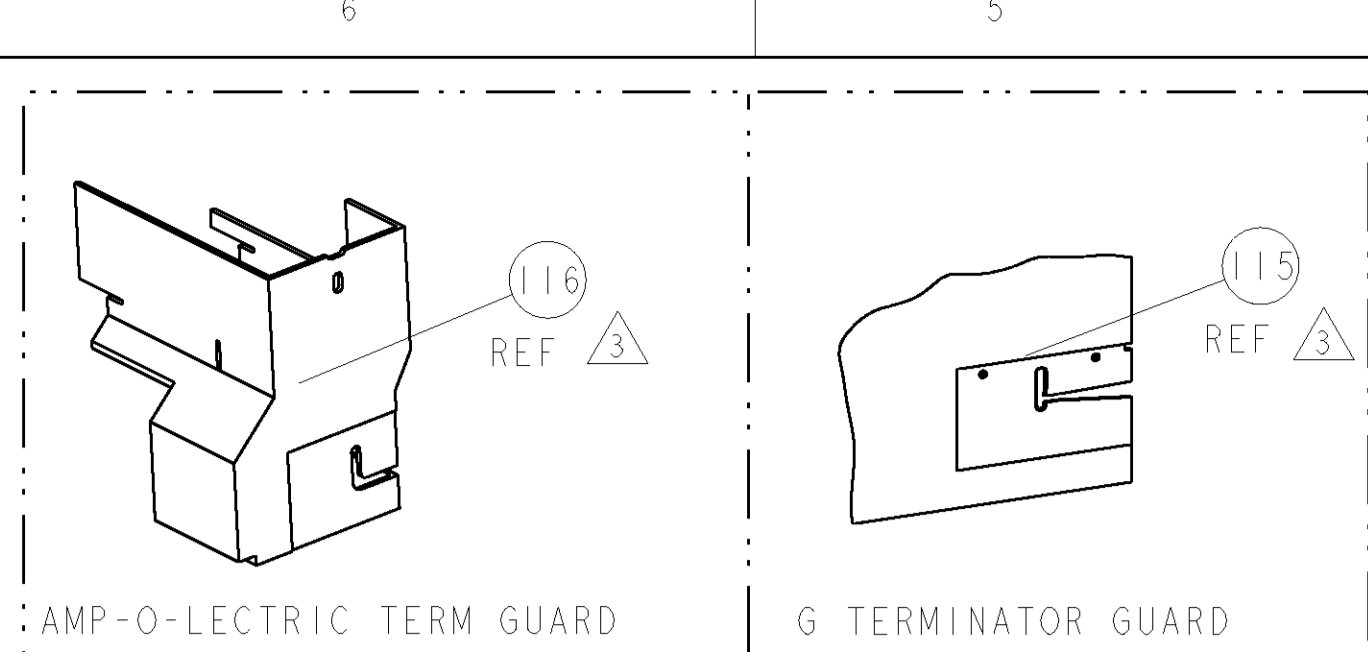
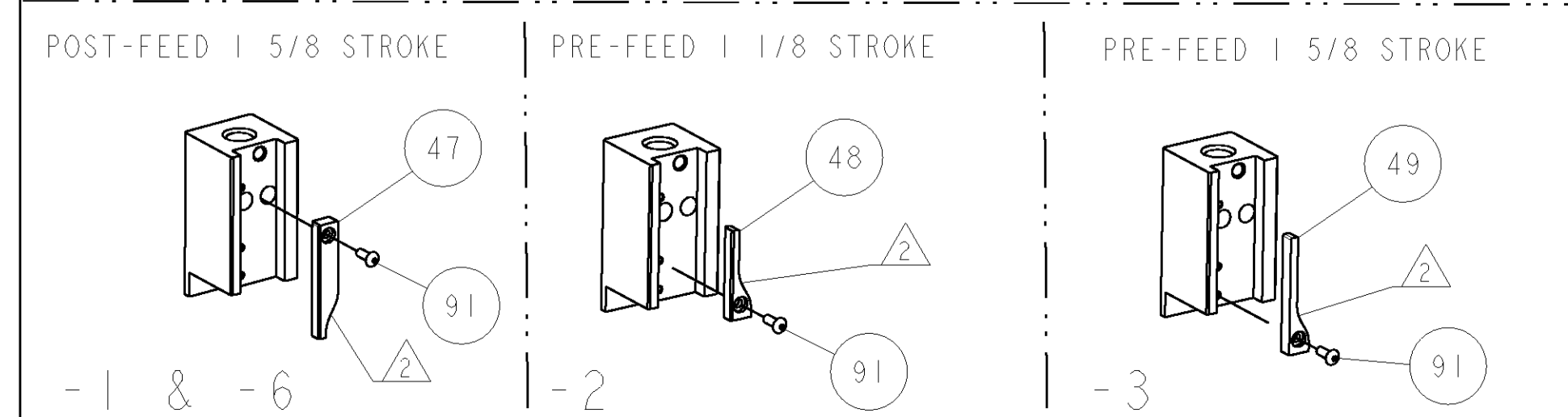
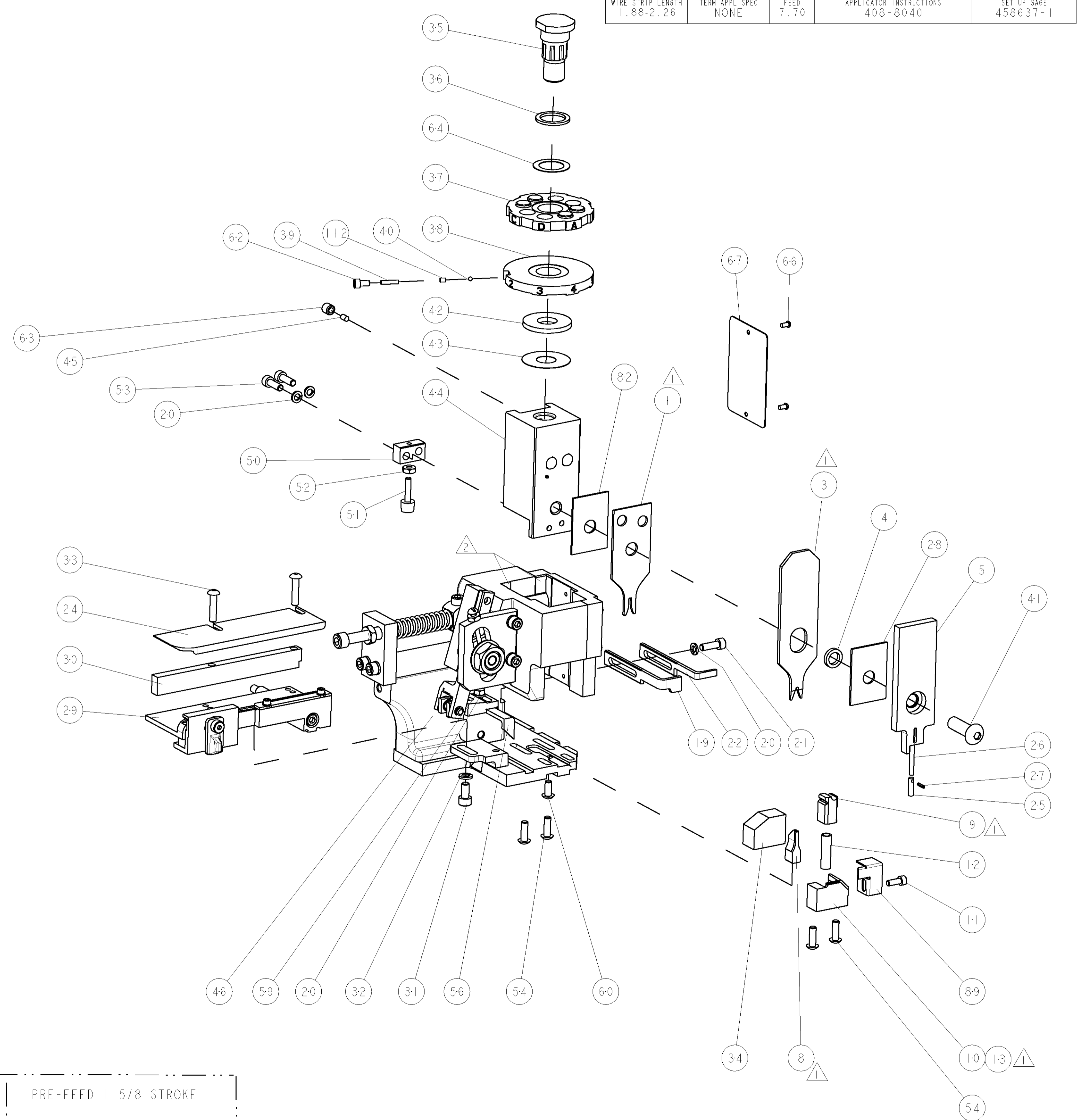
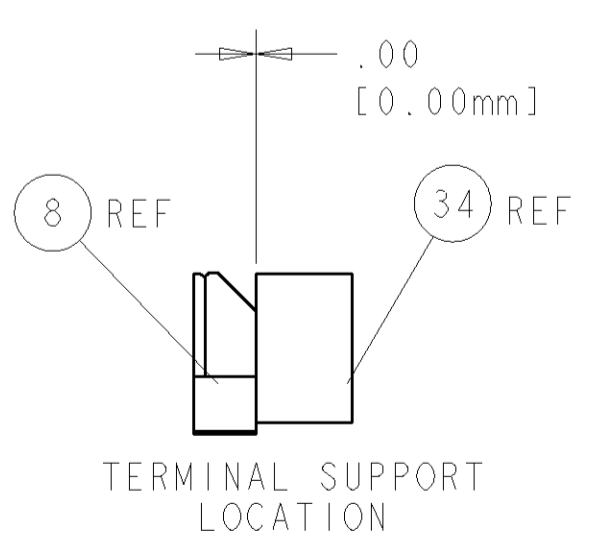
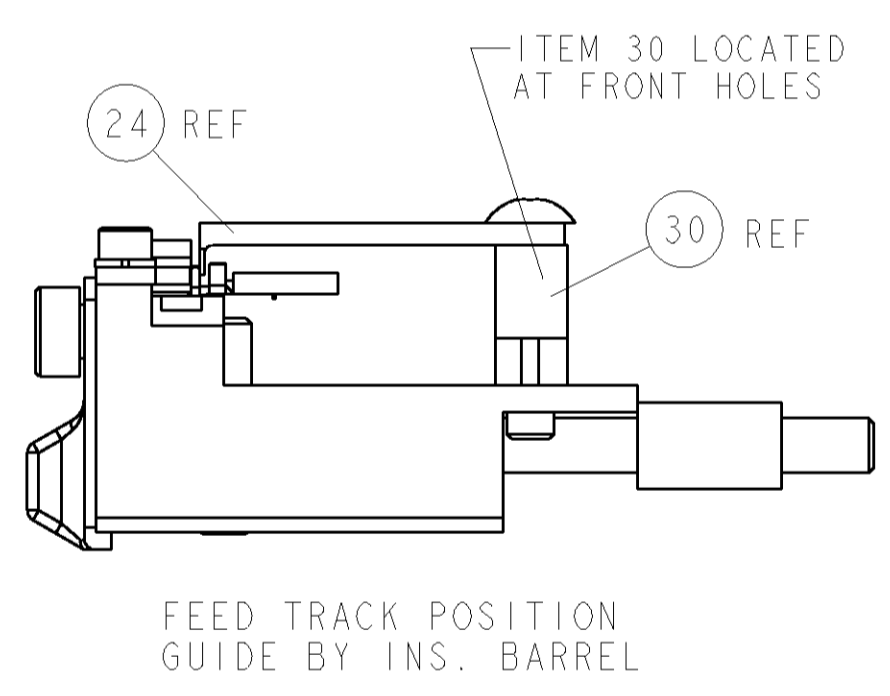
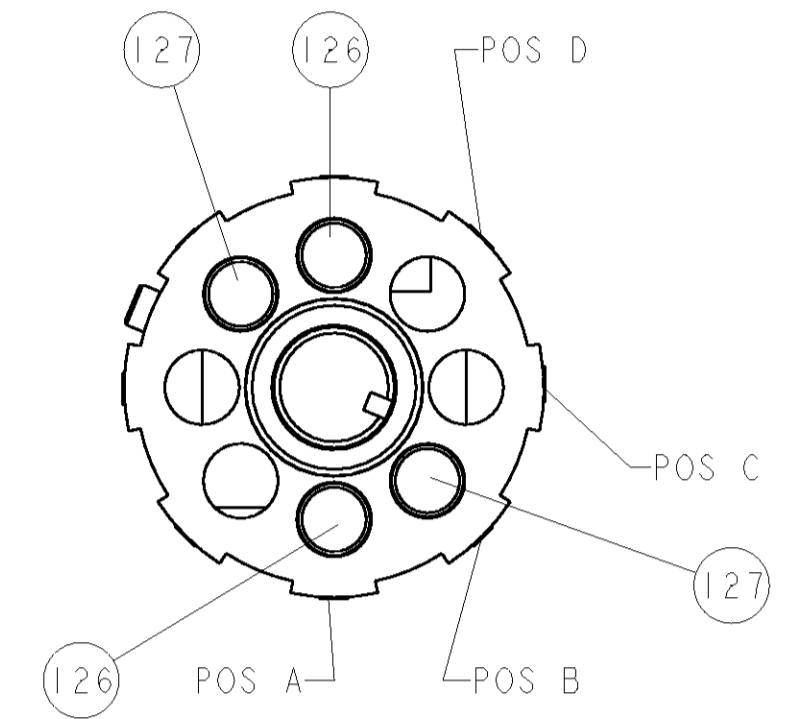


PART NUMBER	REV	FIRST USED	POWER UNIT	FEED TYPE	DESCRIPTION
1852829-1	A	122500-1	LEADMAKER	POST FEED	CUTS CARRIER
1852829-2	A	565435-5	BENCH MODEL K	PRE FEED	CUTS CARRIER
1852829-3	A	354500-1	BENCH MODEL G	PRE FEED	CUTS CARRIER
1852829-6	A	122500-1	LEADMAKER	POST FEED	CONTINUOUS CARRIER
7-1852829-7	A	-	-	-	SPARE PARTS



TERMINAL NAME: SRC-A, CRIMP SNAP-IN			
TE PN	ERNIE	ERNIE TERMINAL - TE CRIMP SPECS	
1949935-1	37404		
-	-	PAD LTR	CRIMP HEIGHT
-	-	A	1.57mm+.05/- .05 [ .062+.002/- .002 ]
-	-	B	1.37mm+.05/- .05 [ .054+.002/- .002 ]
-	-	C	-
-	-	D	-
-	-	CRIMP	SIZE
-	-	-	TYPE
-	-	-	RANGE
-	-	WIRE	1.78mm [ .070 ]
-	-	INSUL	2.03mm [ .080 ]
WIRE STRIP LENGTH	TERM APPL SPEC	FEED	APPLICATOR INSTRUCTIONS
1.88-2.26	NONE	7.70	408-8040
			SET UP GAGE
			458637-1

- RECOMMENDED SPARE PARTS
- GREASE LIGHTLY
- GUARD MUST BE IN PLACE WHEN OPERATING APPLICATOR IN A BENCH MACHINE



LOC	DIST	REV	DESCRIPTION	DATE	DWN	APVD
A	66		RELEASED	08JUN2009	RK	TE

-	2	2	2	2	-	9-354778-9	PIN, WIRE DISC, .2990	127
-	2	2	2	2	-	8-354778-4	PIN, WIRE DISC, .2915	126
-	-	-	REF	-	..	455749-1	GUARD WINDOW	116
-	-	-	REF	-	..	679532-1	INSERT, GUARD	115
-	1	1	1	1	-	690603-1	SPRING ASSIST AMP-O-MATOR APPLICATOR	112
-	1	1	1	1	-	1-21002-7	SCR, BTN SKT HD CAP 6-32 X .375	91
-	1	1	1	1	-	318563-1	GUARD, FRONT CHIP	89
-	1	1	1	1	-	455888-9	SPACER, CRIMPER	82
-	1	1	1	1	-	4088040	SF APPL INST 408-8040	72
-	1	1	1	1	-	217238-1	GENERAL INSTRUCTION PKG	71
-	1	1	1	1	-	461264-1	PLATE, IDENTIFICATION	67
-	2	2	2	2	-	21017-2	SCREW, DRIVE	66
-	1	1	1	1	-	986950-1	WASHER, FLAT PRECISION	64
-	1	1	1	1	-	21009-2	SCR, SET, SELF LOCKING 1/4-20 X .250	63
-	1	1	1	1	-	23030-1	SCR, SKT HD CAP 6-32 X .25	62
-	1	1	1	1	-	22733-8	SCR, BHSC, SELF-LOCKING, 8-32 X .375	60
-	1	1	1	1	-	2-22603-0	SCR, HEX HD CAP 8-32 X .312	59
-	1	1	1	1	-	458537-2	PAWL, FEED	56
-	4	4	4	4	-	2-21002-7	SCR, BTN SKT HD CAP 8-32 X .500	54
-	2	2	2	2	-	2-21000-7	SCR, SKT HD CAP 8-32 X .500	53
-	1	1	1	1	-	21018-5	NUT, HEX, REG 6-32	52
-	1	1	1	1	-	811242-2	BUMPER, HOLD DOWN	51
-	1	1	1	1	-	690753-1	SPACER, TONKER	50
-	-	-	-	-	..	690602-6	CAM, PRE FEED, 1 5/8	49
-	-	-	-	-	..	690602-5	CAM, PRE FEED, 1 1/8	48
-	1	-	-	-	-	690501-4	CAM, POST-FEED 1 5/8	47
-	1	1	1	1	-	459456-1	APPL. BASIC SUB ASSY (SIDE WISE MQCA)	46
-	1	1	1	1	-	690191-1	PLUG, NYLON	45
-	1	1	1	1	-	455673-1	RAM, SIDE FEED	44
-	1	1	1	1	-	690125-1	SHIM SUB-ASSY	43
-	1	1	1	1	-	690124-1	WASHER, RAM (.115)	42
-	1	1	1	1	-	7-21002-9	SCR, BTN SKT HD CAP 5/16-24 X 1.00	41
-	1	1	1	1	-	23241-6	BALL, STEEL	40
-	1	1	1	1	-	690170-1	SPRING, COMPRESSION	39
-	1	1	1	1	-	690142-1	DISC, INSULATION	38
-	1	1	1	1	-	354777-1	WIRE DISC, ASSEMBLY	37
-	1	1	1	1	-	22480-5	SPRING, COMPRESSION	36
-	1	1	1	1	-	690212-1	POST, RAM	35
-	1	1	1	1	-	1-690786-4	TERMINAL SUPPORT	34
-	2	2	2	2	-	2-21002-4	SCR, BTN SKT HD CAP 8-32 X .750	33
-	1	1	1	1	-	21024-5	WASHER, SPRG LOCK, REG NO 10	32
-	1	1	1	1	-	3-21000-4	SCR, SKT HD CAP 10-32 X .375	31
-	1	1	1	1	-	1-1320908-5	SPACER, STRIP GUIDE	30
-	1	1	1	1	-	1633091-1	ASSEMBLY, STRIP GUIDE	29
-	1	1	1	1	-	1-455888-0	SPACER, CRIMPER	28
-	1	1	1	1	-	21028-2	PIN, SLOTTED SPRING .062 X .250	27
-	1	1	1	1	-	5-547505-2	SPRING, COMPRESSION	26
-	1	1	1	1	-	854769-4	HOLDER, INS	25
-	1	1	1	1	-	1320928-1	PLATE, STRIP GUIDE	24
-	1	-	-	-	-	690472-2	STRIPPER	22
-	1	1	1	1	-	2-21000-7	SCR, SKT HD CAP 8-32 X .500	21
-	4	4	4	4	-	21024-4	WASHER, SPRG LOCK, REG NO 8	20
-	-	-	-	-	-	691353-1	STRIPPER	19
-	1	-	-	-	-	679625-1	SHEAR HOLDER, FRONT (NO CUT)	13
-	1	1	1	1	-	3-22280-3	SPRING, COMPRESSION	12
-	1	1	1	1	-	1-21000-9	SCR, SKT HD CAP 6-32 X .375	11
-	-	-	-	-	..	690459-1	SHEAR HOLDER, FRONT	10
-	1	1	1	1	-	462006-1	FLOATING SHEAR, FRONT	9
-	1	1	1	1	-	4-1633108-2	ANVIL, COMBINATION .070	8
-	-	-	-	-	..	-	-	7
-	-	-	-	-	..	-	-	6
-	1	1	1	1	-	854772-1	DEPRESSOR, SHEAR	5
-	1	1	1	1	-	1-238011-0	BLOCK, CRIMPER SPACER	4
-	1	1	1	1	-	1633757-2	CRIMPER, INSULATION 0	3
-	-	-	-	-	..	-	-	2
-	1	1	1	1	-	6-456404-3	CRIMPER, WIRE PREMIUM	1

DIMENSIONS:		TOLERANCES UNLESS OTHERWISE SPECIFIED:	
INCHES	9 PLC ±.01	1 PLC ±.01	3 PLC ±.001
	1 PLC ±.01	3 PLC ±.001	4 PLC ±.0001
	4 PLC ±.0001	ANGLES ±.0001	

REV	DATE	BY	CHK	DESCRIPTION
1	31MAR2009	DR. HUANG	31MAR2009	INITIAL GROSS
2	31MAR2009	W. DEMING	31MAR2009	NAME

APVD	DATE	BY	CHK	DESCRIPTION
3	31MAR2009	W. DEMING	31MAR2009	NAME

PRODUCT SPEC	APPLICATION SPEC	SIZE	CAGE CODE	DRAWING NO	RESTRICTED TO
-	-	A1	00779	1852829	-

CUSTOMER DRAWING	SCALE	SHEET	OF	REV
-	3:5	1	1	A

CUSTOMER VIEWABLE ASSEMBLY