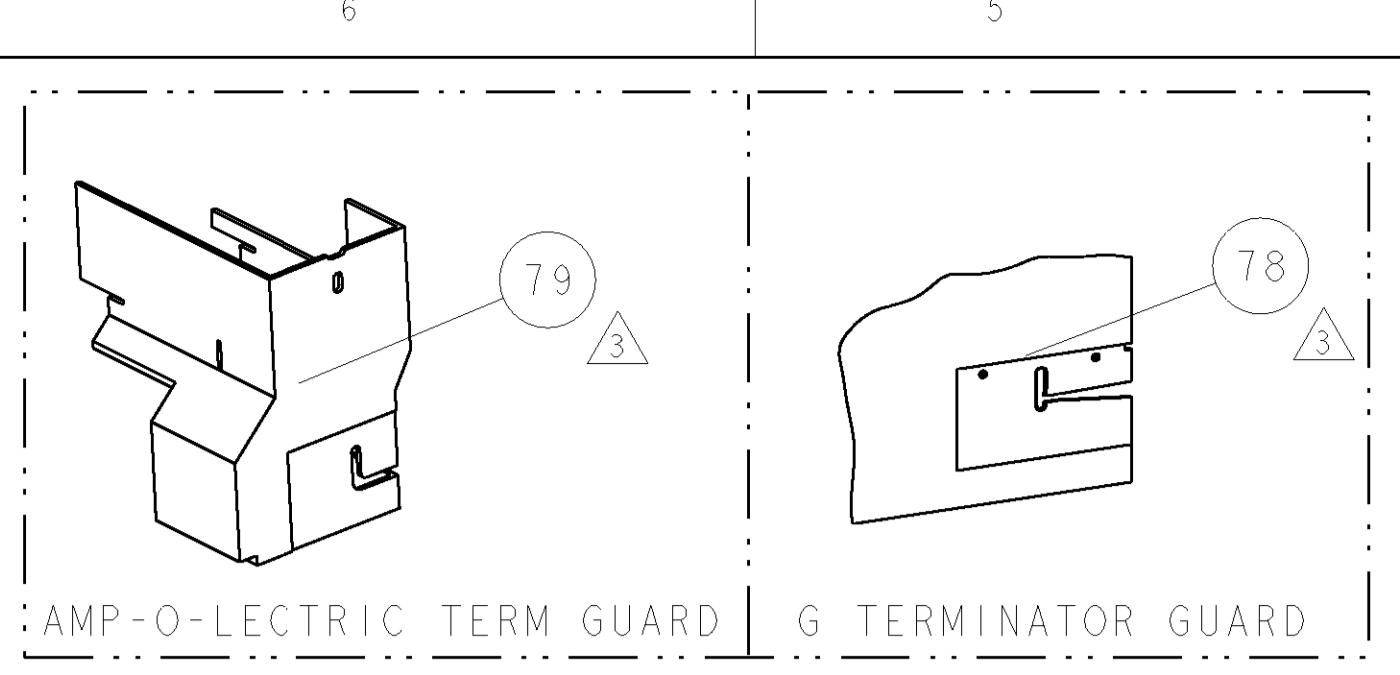


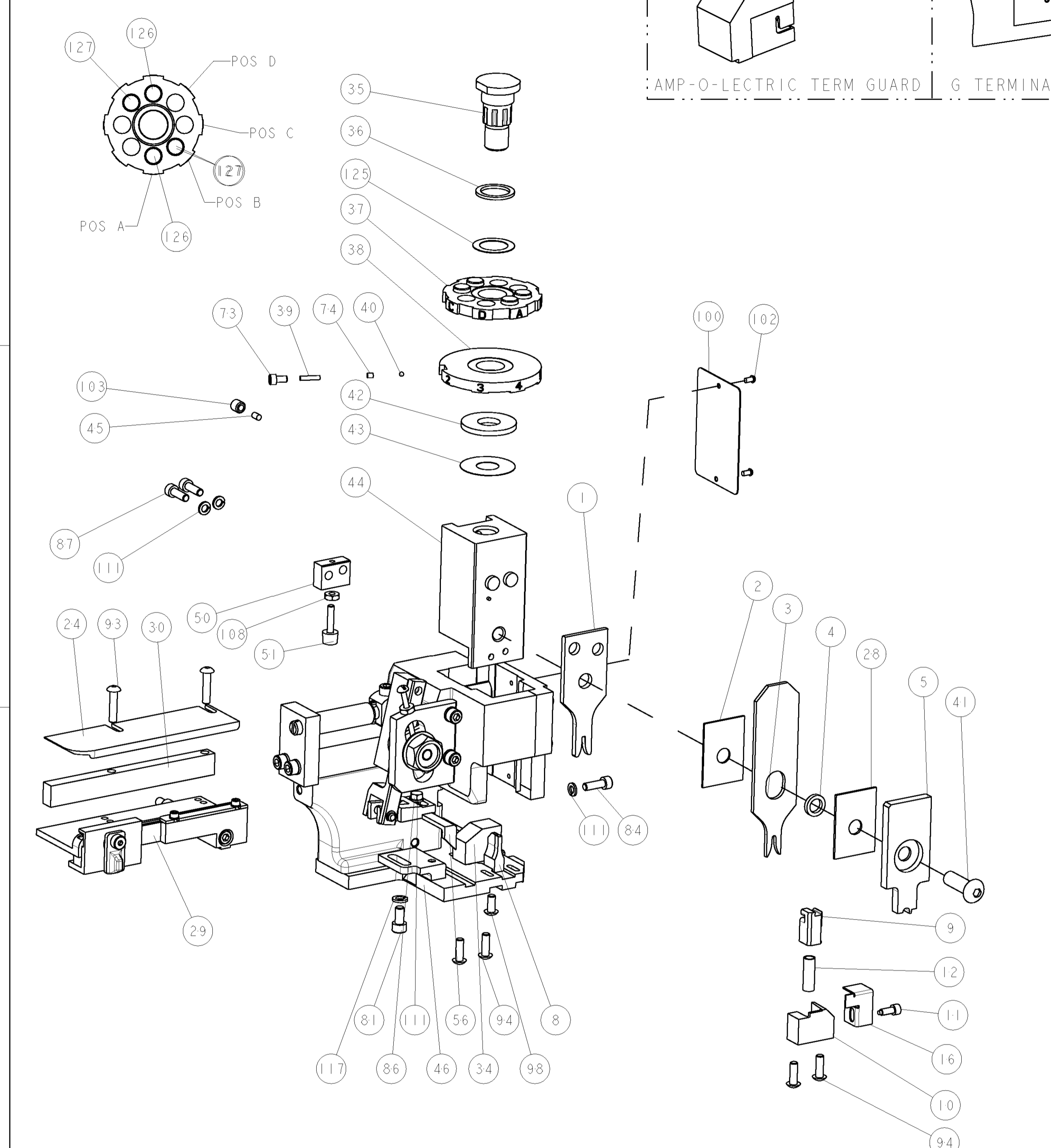
PART NUMBER	REV	FIRST USED	POWER UNIT	FEED TYPE
1385837-1	A	122500-1	LEADMAKER	POST FEED
1385837-2	A	565435-5	BENCH MODEL K	PRE FEED
1385837-3	A	354500-1	BENCH MODEL G	PRE FEED



TERMINAL NAME: NSF-0.3

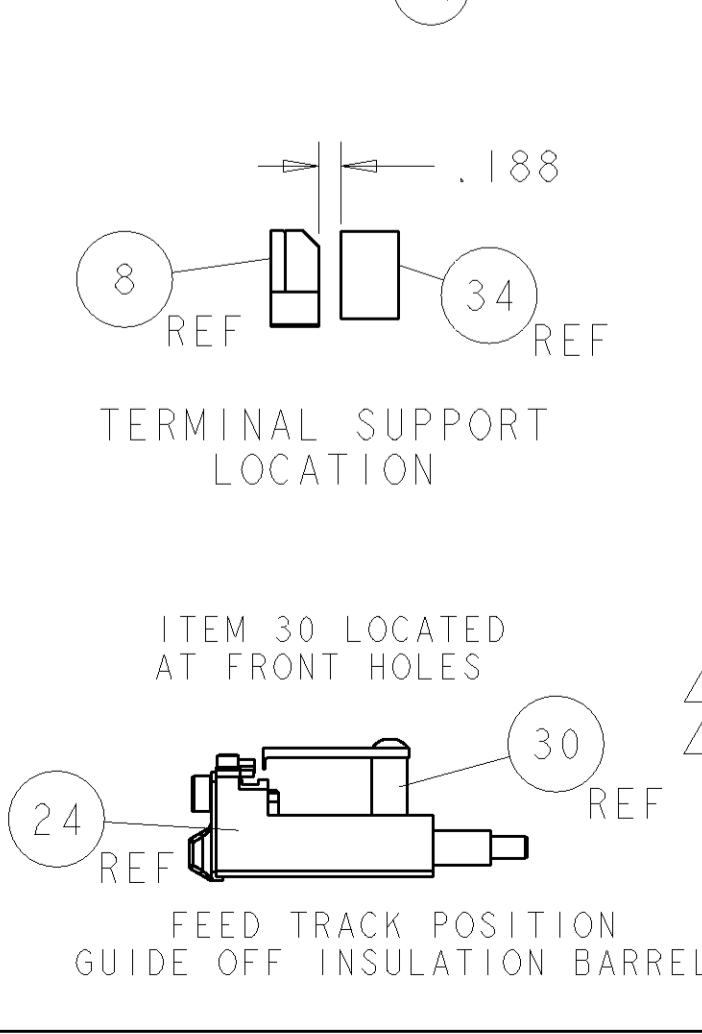
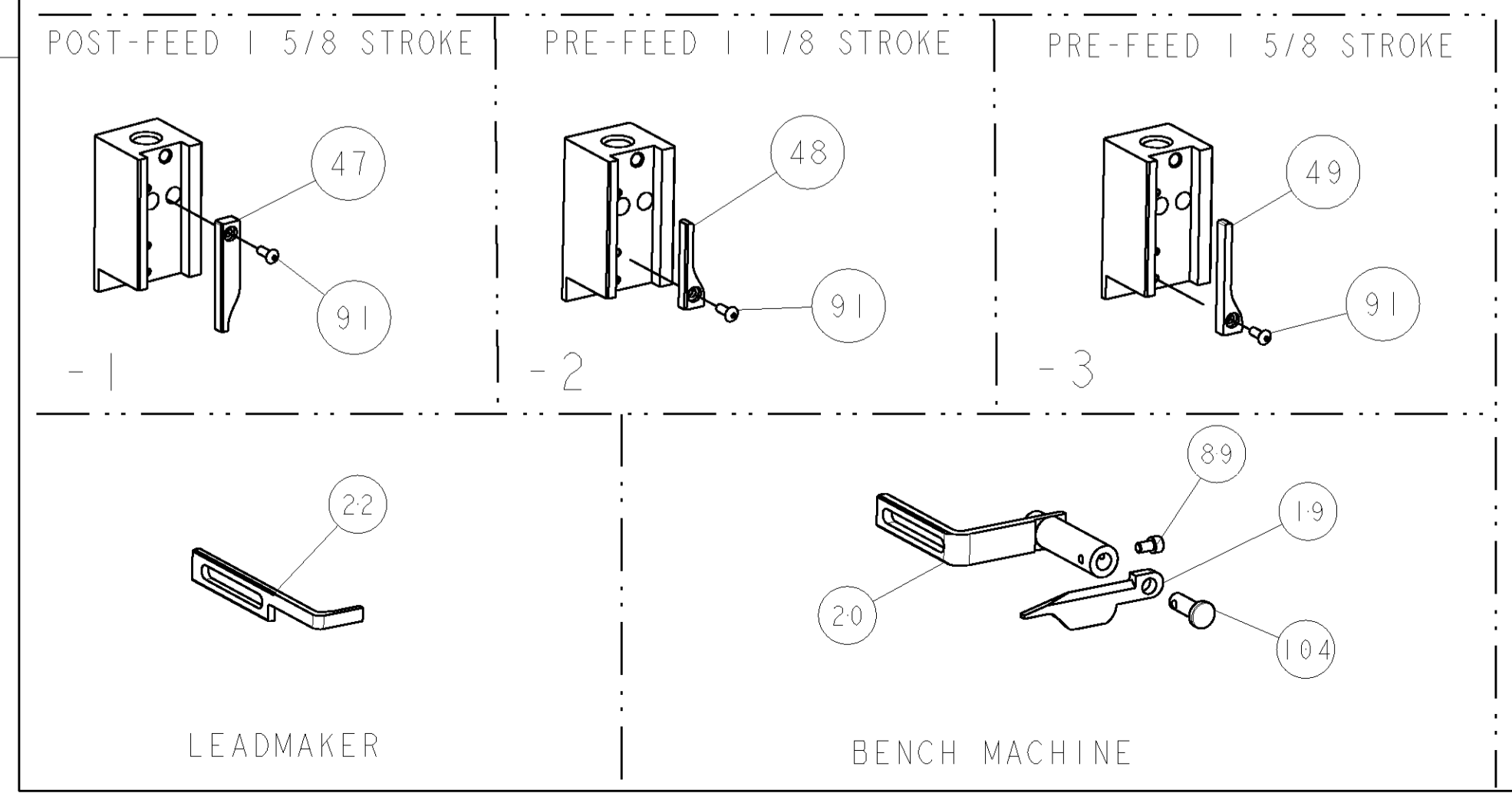
TYCO PN	MFG PN	AMP TERMINAL - AMP CRIMP SPECS		
1642754	MT095-94080	CRIMP HEIGHT		
		WIRE SIZE		
		CRIMP SIZE		
		CRIMP TYPE		
		CRIMP RANGE		
		WIRE		
		INSUL		
WIRE STRIP LENGTH	TERM APPL SPEC	FEED	APPL INSTRUCTIONS	SET UP GAGE
.165-.180	1642754	.590	408-8040	458637-1

LOC	DIST	REV	DESCRIPTION	DATE	BY	APPD
A	66					
		A	RELEASED	21OCT2004	LG	TE
		A1	ECR-014575	15JUN2006	MY	GB



- △ RECOMMENDED SPARE PARTS
- △ GREASE LIGHTLY
- △ GUARD MUST BE IN PLACE WHEN OPERATING APPLICATOR IN A BENCH MACHINE

-	-	-	-	-	-	129
-	-	-	-	-	-	128
2	2	2	-	5-354779-9	PIN, WIRE DISC, .3285	127
2	2	2	-	5-354779-7	PIN, WIRE DISC, .3275	126
1	1	1	-	986950-1	WASHER, FLAT PRECISION	125
1	1	1	-	217238-1	GENERAL INSTRUCTION PKG	124
1	1	1	-	4088040	SF APPL INST 408-8040	123
-	-	-	-	-	-	122
-	-	-	-	-	-	121
-	-	-	-	-	-	120
-	-	-	-	-	-	119
-	-	-	-	-	-	118
1	1	1	-	21024-5	WASHER, SPRG LOCK, REG NO 10	117
-	-	-	-	-	-	116
-	-	-	-	-	-	115
-	-	-	-	-	-	114
-	-	-	-	-	-	113
-	-	-	-	-	-	112
4	4	4	-	21024-4	WASHER, SPRG LOCK, REG NO 8	111
-	-	-	-	-	-	110
-	-	-	-	-	-	109
1	1	1	-	21018-5	NUT, HEX, REG 6-32	108
-	-	-	-	-	-	107
-	-	-	-	-	-	106
-	-	-	-	-	-	105
1	1	1	-	992031-1	PIN, CLEVIS	104
1	1	1	-	21009-2	SCR, SET, SELF LOCKING 1/4-20 X .250	103
2	2	2	-	21017-2	SCREW, DRIVE	102
-	-	-	-	-	-	101
1	1	1	-	461264-1	PLATE, IDENTIFICATION	100
-	-	-	-	-	-	99
1	1	1	-	22733-8	SCR, BHSC, SELF-LOCKING, 8-32 X .375	98
-	-	-	-	-	-	97
-	-	-	-	-	-	96
-	-	-	-	-	-	95
4	4	4	-	2-21002-2	SCR, BTN SKT HD CAP 8-32 X .500	94
2	2	2	-	2-21002-4	SCR, BTN SKT HD CAP 8-32 X .750	93
-	-	-	-	-	-	92
1	1	1	-	1-21002-7	SCR, BTN SKT HD CAP 6-32 X .375	91
-	-	-	-	-	-	90
1	1	1	-	7-21000-9	SCR, SKT HD CAP 4-40 X .188	89
-	-	-	-	-	-	88
2	2	2	-	2-21000-7	SCR, SKT HD CAP 8-32 X .500	87
1	1	1	-	2-22603-0	SCR, HEX HD CAP 8-32 X .312	86
-	-	-	-	-	-	85
1	1	1	-	2-21000-7	SCR, SKT HD CAP 8-32 X .500	84
-	-	-	-	-	-	83
-	-	-	-	-	-	82
1	1	1	-	3-21000-4	SCR, SKT HD CAP 10-32 X .375	81
-	-	-	-	-	-	80
-	-	-	-	-	-	79
-	-	-	-	-	-	78
-	-	-	-	-	-	77
-	-	-	-	-	-	76
-	-	-	-	-	-	75
1	1	1	-	690603-1	SPRING ASSIST AMP-O-MATOR APPLICATOR	74
-	-	-	-	-	-	73
-3	-2	-1	U/M	PART NO	DESCRIPTION	ITEM NO



-	-	-	-	23030-1	SCR, SKT HD CAP 6-32 x .25	73
-	-	-	-	-	-	72
-	-	-	-	-	-	71
-	-	-	-	-	-	70
-	-	-	-	-	-	69
-	-	-	-	-	-	68
-	-	-	-	-	-	67
-	-	-	-	-	-	66
-	-	-	-	-	-	65
-	-	-	-	-	-	64
-	-	-	-	-	-	63
-	-	-	-	-	-	62
-	-	-	-	-	-	61
-	-	-	-	-	-	60
-	-	-	-	-	-	59
-	-	-	-	-	-	58
-	-	-	-	-	-	57
1	1	1	-	458537-2	PAWL, FEED	56
-	-	-	-	-	-	55
-	-	-	-	-	-	54
-	-	-	-	-	-	53
-	-	-	-	-	-	52
1	1	1	-	811242-2	BUMPER, HOLD DOWN	51
1	1	1	-	690753-1	SPACER, TONKER	50
1	1	1	-	690602-6	CAM, PRE FEED, 1 5/8	49
-	-	-	-	690602-5	CAM, PRE FEED, 1 1/8	48
1	1	1	-	690501-4	CAM, POST FEED, 1 5/8	47
1	1	1	-	459456-1	APPL. BASIC SUB ASSEMBLY	46
1	1	1	-	690191-1	PLUG, NYLON	45
1	1	1	-	455673-1	RAM	44
1	1	1	-	690125-1	SHIM SUB-ASSY	43
1	1	1	-	690124-1	WASHER, RAM (.115)	42
1	1	1	-	7-21002-9	SCR, BTN SKT HD CAP 5/16-24 X 1.00	41
1	1	1	-	23241-6	BALL, STEEL	40
1	1	1	-	690170-1	SPRING, COMPRESSION	39
1	1	1	-	690142-1	DISC, INSULATION	38
1	1	1	-	354777-1	WIRE DISC, ASSEMBLY	37
1	1	1	-	22480-5	SPRING, COMPRESSION	36
1	1	1	-	690212-1	POST, RAM	35
1	1	1	-	690786-3	TERMINAL SUPPORT	34
-	-	-	-	-	-	33
-	-	-	-	-	-	32
-	-	-	-	-	-	31
1	1	1	-	1320908-1	SPACER, STRIP GUIDE	30
1	1	1	-	1633091-1	ASSEMBLY, STRIP GUIDE	29
1	1	1	-	1-455888-0	SPACER, CRIMPER	28
-	-	-	-	-	-	27
-	-	-	-	-	-	26
-	-	-	-	-	-	25
1	1	1	-	1320928-1	PLATE, STRIP GUIDE	24
-	-	-	-	-	-	23
-	-	-	-	-	-	22
-	-	-	-	-	-	21
1	1	1	-	679218-1	STRIPPER/ WIRE STOP ASSY	20
1	1	1	-	458949-1	STRIPPER, SIDE	19
-	-	-	-	-	-	18
-	-	-	-	-	-	17
1	1	1	-	318563-1	GUARD, FRONT CHIP	16
-	-	-	-	-	-	15
-	-	-	-	-	-	14
-	-	-	-	-	-	13
1	1	1	-	5-22280-0	SPRING, COMPRESSION	12
1	1	1	-	690461-1	STOP, SHEAR	11
1	1	1	-	690459-1	SHEAR HOLDER, FRONT	10
1	1	1	-	454276-1	FLOATING SHEAR, FRONT	9
1	1	1	-	1-1633116-2	ANVIL, COMBINATION	8
-	-	-	-	-	-	7
-	-	-	-	-	-	6
1	1	1	-	1-455889-4	DEPRESSOR, SHEAR	5
1	1	1	-	1-238011-0	BLOCK, CRIMPER SPACER	4
1	1	1	-	7-904741-0	CRIMPER, INSUL O PREMIUM	3
1	1	1	-	455888-8	SPACER, CRIMPER	2
1	1	1	-	5-1490019-4	CRIMPER, WIRE PREMIUM	1

DIMENSIONS:		TOLERANCES UNLESS OTHERWISE SPECIFIED:		DRAWING NO	
INCHES		0 PLC	±	07OCT2004	79
		1 PLC	±0.1	07OCT2004	78
		3 PLC	±0.01	07OCT2004	77
		4 PLC	±0.001	07OCT2004	76
		ANGLES	±0.001		75

DATE	BY	CHK	APPD	NAME	SIZE	CAGE CODE	DRAWING NO	RESTRICTED TO
07OCT2004	C. REICHEL	DEFER		Tyco Electronics	A1	00779	1385837	
07OCT2004	TIM ELBIN			Harrisburg, PA 17105-3608				
07OCT2004	J. BENCHOFF							

SCALE 3:5 SHEET 1 OF 1 REV A1