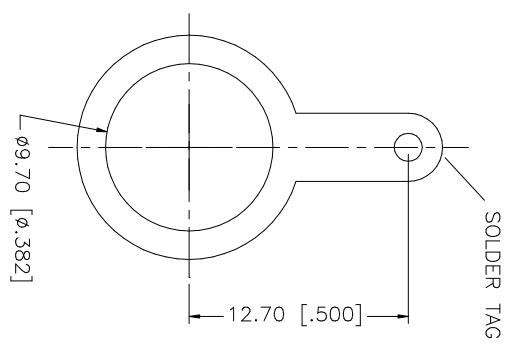
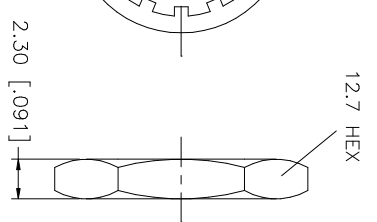
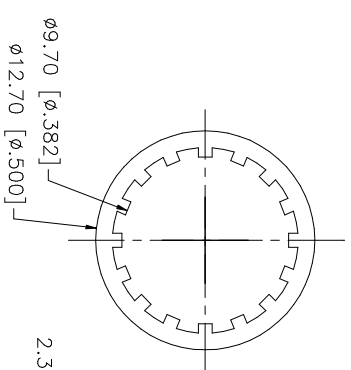
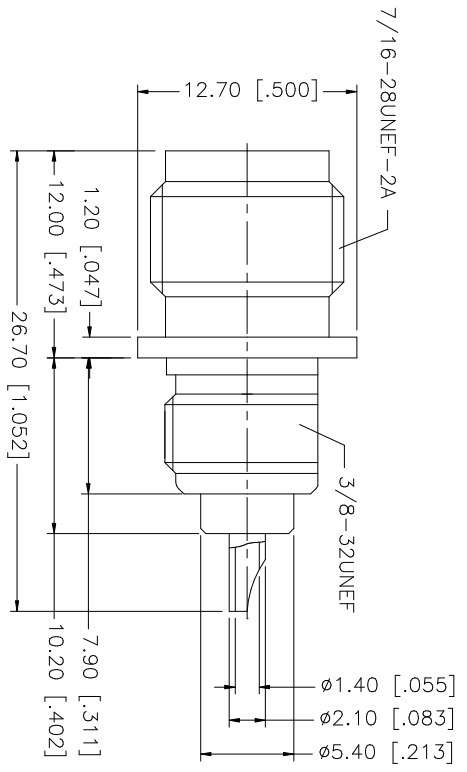
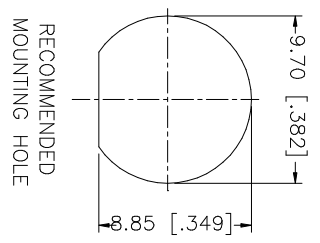


REV.	DATE	DESCRIPTION
A	01/10/04	UPDATE DRAWING FORMAT



NOTE:
1. MAX. PANEL THICKNESS = 3.2mm

Amphenol Connex

TNC BULKHEAD RECEIPT. JACK

QTY	FINISH	MATERIAL	DESCRIPTION
1	NICKEL	BRASS	SOLDER TAB
1	NICKEL	BRASS	HEX NUT
1	NICKEL	BRASS	LOCK WASHER
1	GOLD	PHOS. BRONZE	CONTACT PIN
1	NATURAL	DELIRIN	INSULATOR
1	NICKEL	BRASS	BODY

APPROVALS	DATE
DRAWN G.R.S.	01/10/04
CHECKED	
ISSUED	
SHEET 1 OF 1	

DO NOT SCALE DRAWING	CAD FILE	DWG. NO.	REV	SIZE	SCALE
	C:/122/122332.DWG	122332.DWG	A	A	NA