


# SACC-DSI-M5MS-4CON-L180

Order No.: 1530634



<http://eshop.phoenixcontact.de/phoenix/treeViewClick.do?UID=1530634>

Sensor/actuator flush-type plug, 4-pos., M5, prewall/screw mounting, with straight solder connection

Commercial data	
GTIN (EAN)	
sales group	D125
Pack	20 pcs.
Customs tariff	85366990
Catalog page information	Page 38 (PC-2011)

### Product notes

WEEE/RoHS-compliant since: 11/23/2005



<http://www.download.phoenixcontact.com>  
Please note that the data given here has been taken from the online catalog. For comprehensive information and data, please refer to the user documentation. The General Terms and Conditions of Use apply to Internet downloads.

## Technical data

General data	
Rated current at 40°C	1 A
Rated voltage	60 V
Number of positions	4
Volume resistance	≤ 3 mΩ
Insulation resistance	≥ 100 MΩ

Ambient temperature (operation)	-25 °C ... 85 °C
---------------------------------	------------------

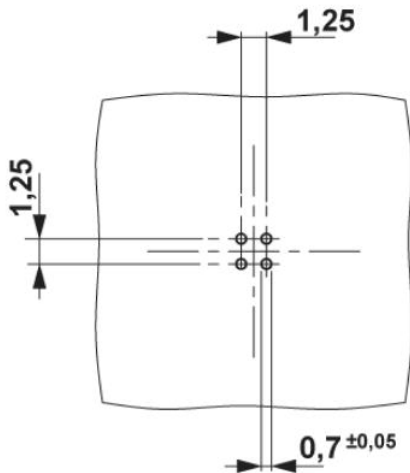
**General characteristics**

Standards/regulations	M5 connector IEC 61076-2-105
Surge voltage category	II
Pollution degree	3
Degree of protection	IP67
Contact material	CuZn
Contact surface material	Au
Contact carrier material	PA 66
Material, knurls	Nickel-plated brass
Sealing material	Viton
Mounting type	Rear mounting M5 x 0.5 With locking nut
Connection method	Solder pins
Status display	No
Test voltage	800 V

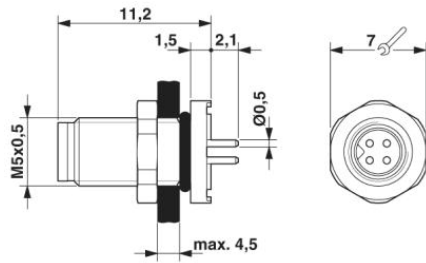
**Diagrams/Drawings**

Drilling plan/solder pad geometry

M5 flush-type connector

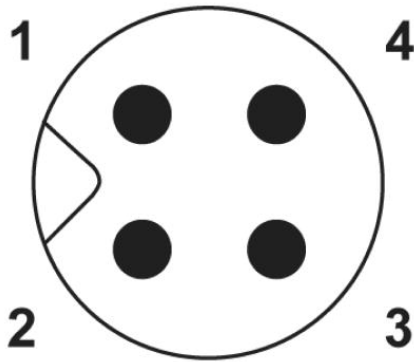


Dimensioned drawing



M5 flush-type connector

Schematic diagram



Pin assignment M5 plug, 4-pos., view male side

**Address**

PHOENIX CONTACT Inc., USA  
586 Fulling Mill Road  
Middletown, PA 17057, USA  
Phone (800) 888-7388  
Fax (717) 944-1625  
<http://www.phoenixcon.com>



© 2011 Phoenix Contact  
Technical modifications reserved;