



WEIGHT

1.29g/cm (.116 oz/in)

RECOMMENDED TORQUE

17.7 N-cm (25 in-oz)

MATERIALS AND FINISH

HOUSING

Material:

.025-in. (.64-mm) thick
Beryllium Copper per QQ-C-533

Finish:

See finish table on opposite page

CAM

Material:

Beryllium Copper per QQ-C-533

Finish:

See finish table on opposite page

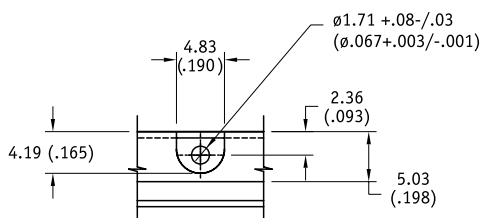
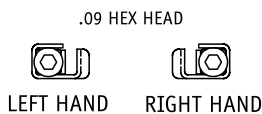
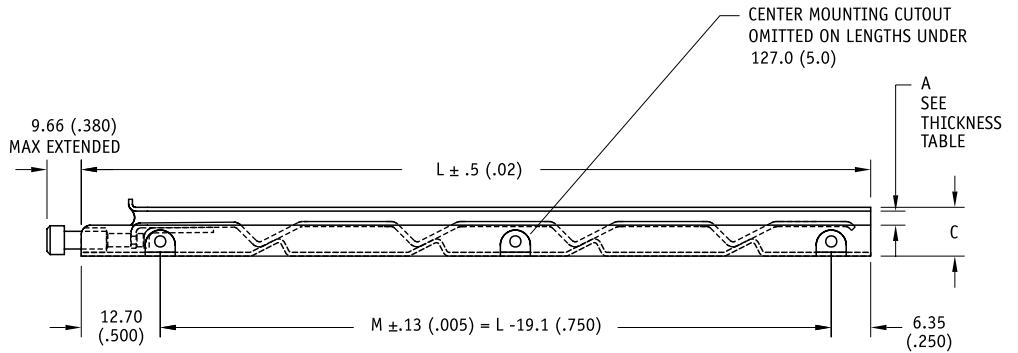
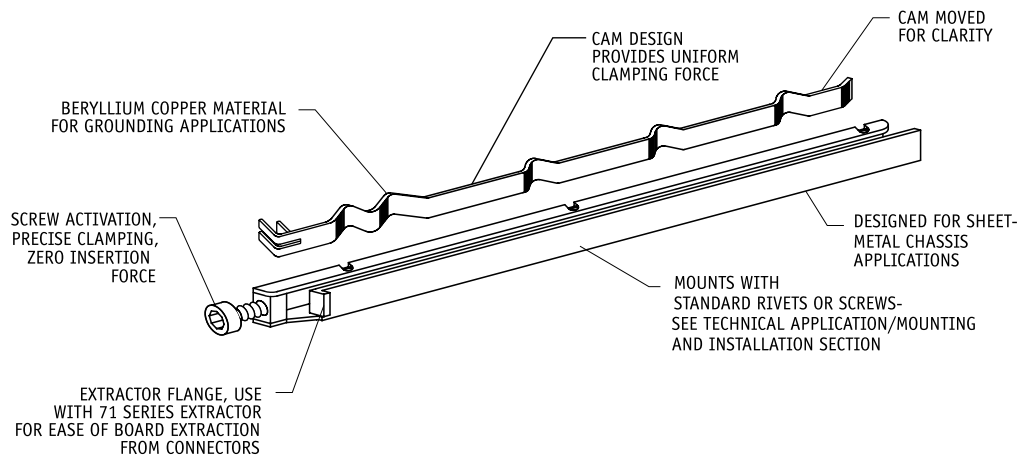
SCREW

Material:

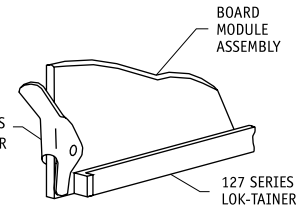
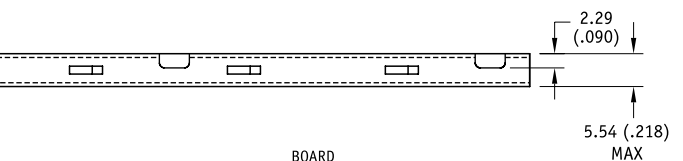
Stainless steel

Finish:

Passivated



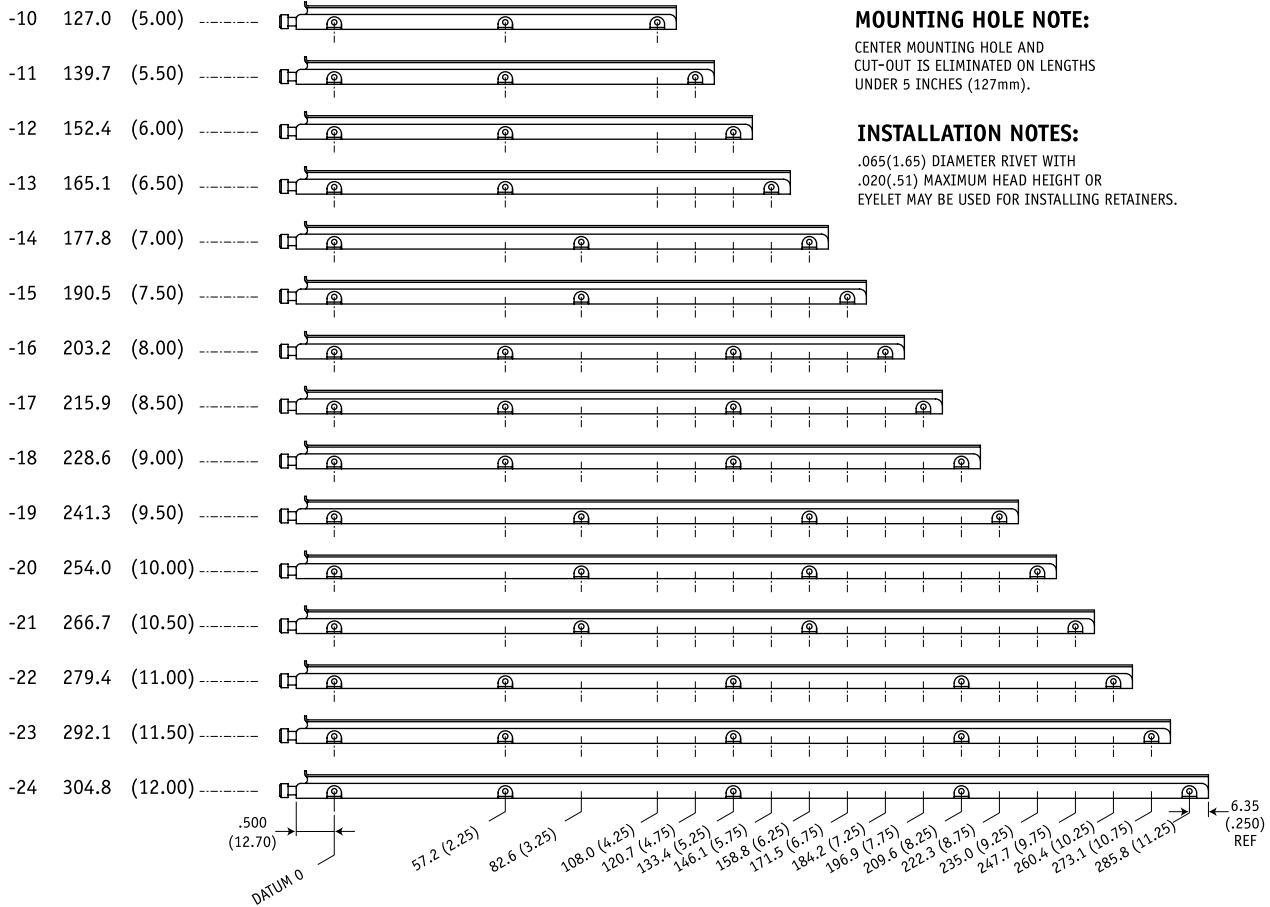
MOUNTING HOLE DETAIL



71 SERIES EXTRACTOR
OPTIONAL/NOT TO SCALE

Units: mm(in)
unless specified otherwise,
.xx = ± .25, .x = ± .5
(.xxx = ±.010, .xx = ± .02)

MOUNTING HOLE DIMENSIONS 127 SERIES



MOUNTING HOLE NOTE:

CENTER MOUNTING HOLE AND CUT-OUT IS ELIMINATED ON LENGTHS UNDER 5 INCHES (127mm).

INSTALLATION NOTES:

.065(1.65) DIAMETER RIVET WITH .020(.51) MAXIMUM HEAD HEIGHT OR EYELET MAY BE USED FOR INSTALLING RETAINERS.

Note: -6 [76.2 (3.00)] to -9 [114.3 (4.50)], mounting hole dims as per 12.70 (.500) datum and 6.35 (.250) Ref as noted above.

Part Number Code

Series 127 LOK-TAINER Screw-Actuated **127 - B - 2 - 10 - 5 - L**

Material

Beryllium Copper _____ **B**
or select from Materials Table

Board Thickness

1.60 (.063) PCB Thickness _____ **2**
or select from Board Thickness Table

Length

Length in 12.7 (.50) increments _____ **6** [76.2 (3.00)]
to 24 [304.8 (12.00)]

Finish

Gold Plate _____ **5**
or select from Finish Table

Screw Action

Left hand _____ **L**
Right hand _____ **R**

Part Number Code example: 127B-4-12-6-R

Series 127 Screw-actuated LOK-TAINER, Beryllium Copper housing with flange, 152.4-mm (6.00-in.) long, Nickel plate finish, and right hand screw action.

MATERIALS TABLE

Code Letter	Material
B	Beryllium Copper, 1/4H per, ASTM-B-194
S	Steel per, ASTM-A-366

BOARD THICKNESS TABLE

Dash #	A		C
	Min	Max	
-2	.025 (0.64)	.070 (1.78)	.309 (7.85)
-4	.087 (2.21)	.132 (3.36)	.376 (9.55)

Dash # FINISH TABLE

NONE	Silver Plate per QQ-S-365, Type III, Grade A
-1	None
-2	Ebanol per MIL-F-495 for Beryllium Copper per MIL-C-13924 for Steel
-4	Copper Plate per MIL-C 14550, Class 2
-5	Gold Plate per MIL-G-45204, Type 1, Class 1
-6	Nickel Plate per QQ-N-290, Class 1, Grade G, Bright
-7	Zinc Plate Clear Chromate, per ASTM-B-633, Fe/Zn 8
-8	Zinc Plate Yellow Chromate, per ASTM-B-633, Fe/Zn 8

NOTE: No finish (-1) not available with "S" Steel material