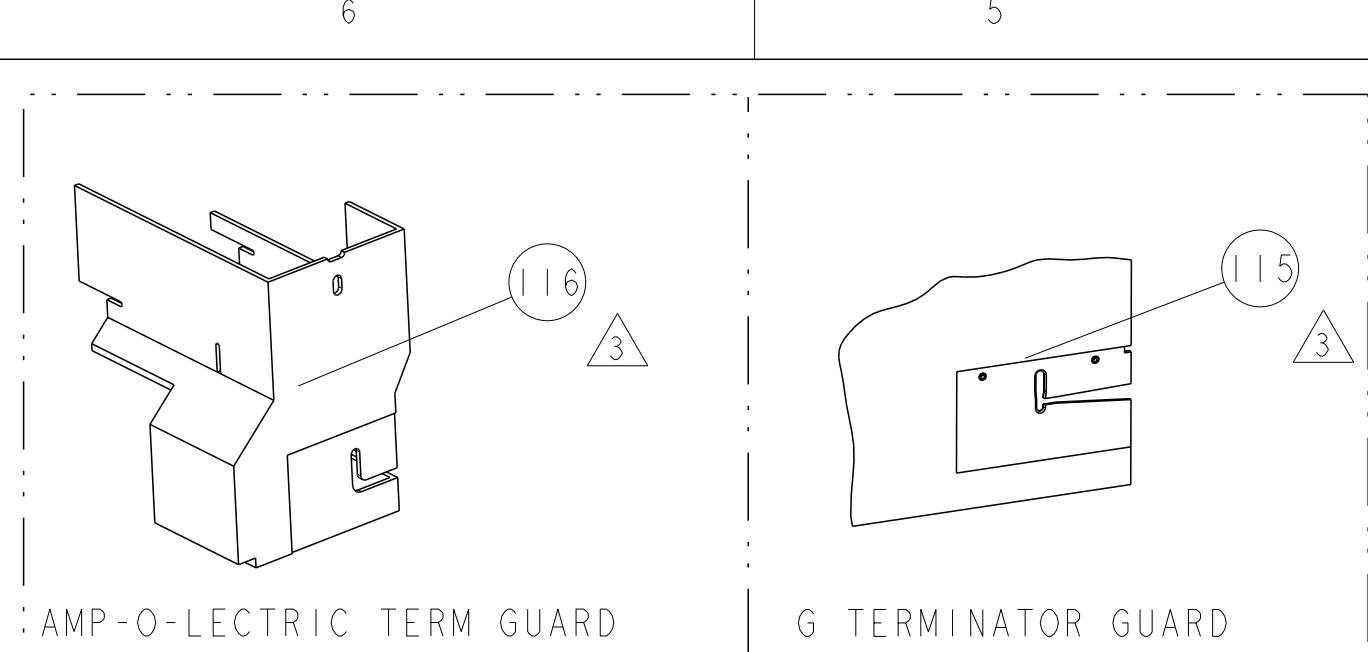


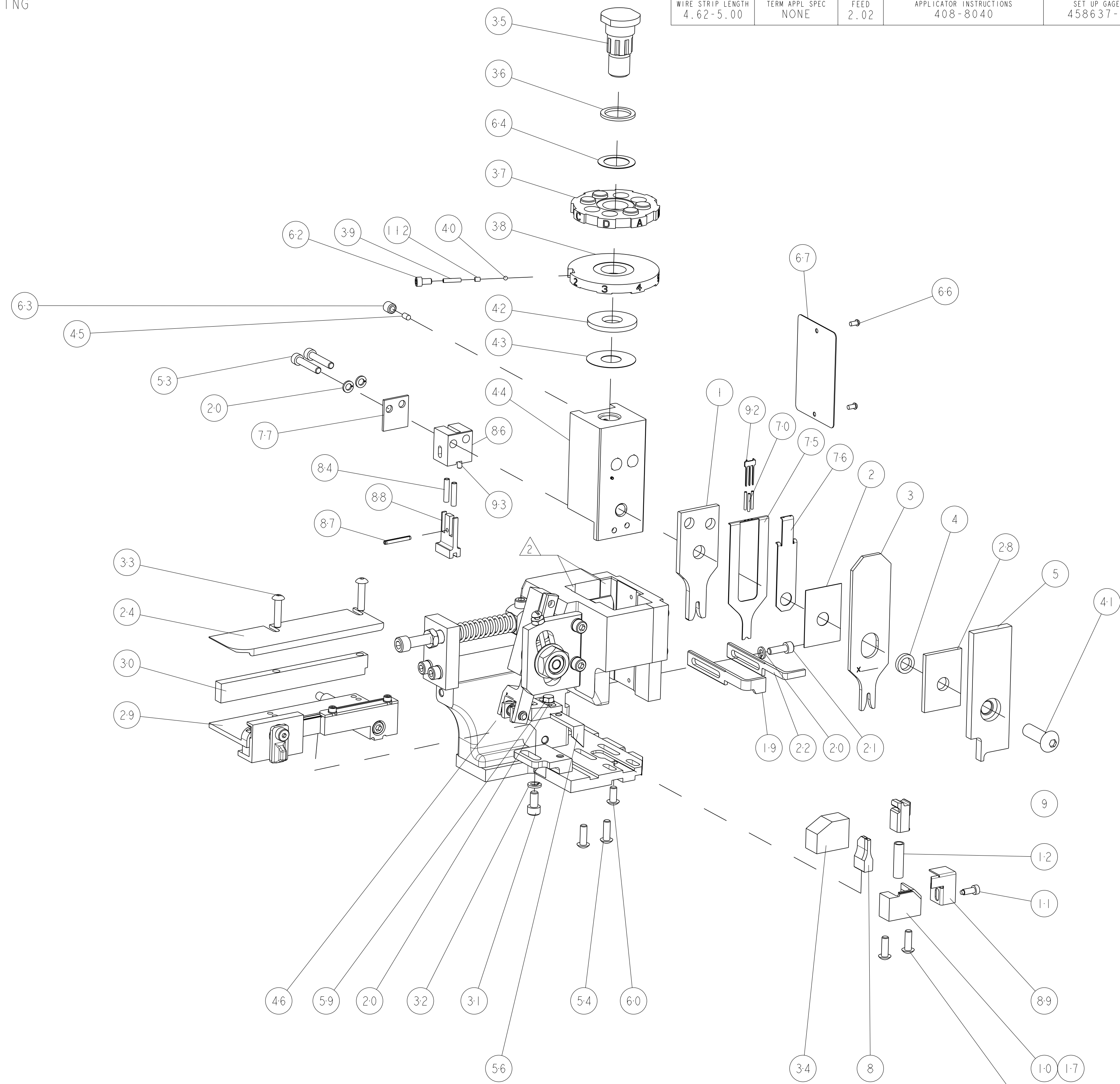
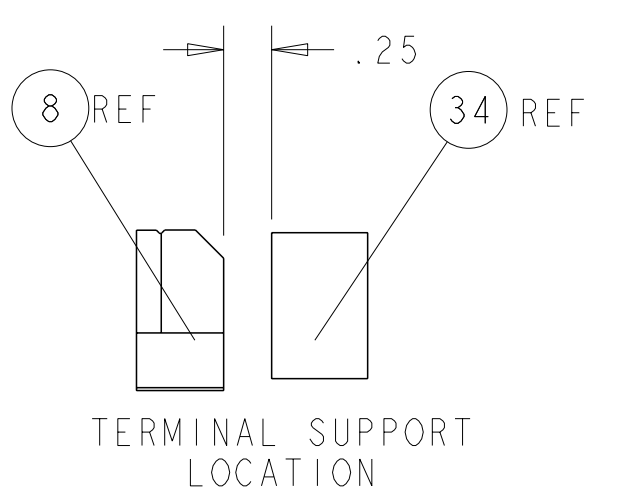
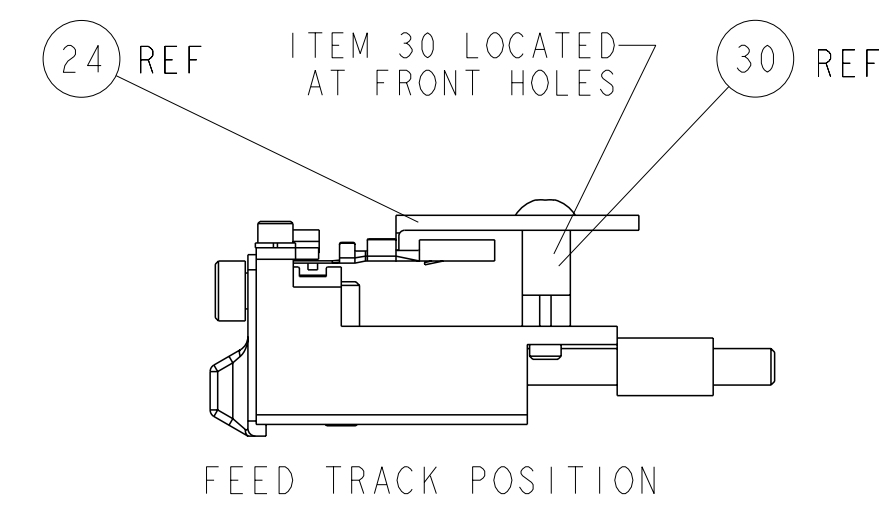
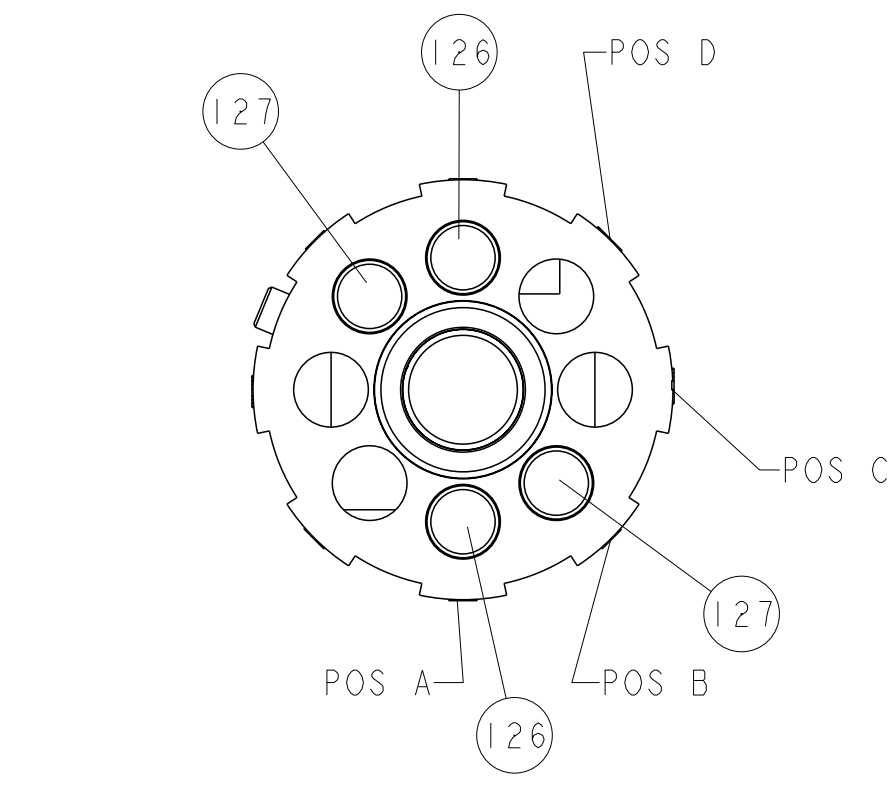
| PART NUMBER | REV | FIRST USED | POWER UNIT | FEED TYPE | DESCRIPTION |
|-------------|-----|------------|---------------|-----------|--------------------|
| 1852385-1 | C | 122500-1 | LEADMAKER | POST FEED | CUTS CARRIER |
| 1852385-2 | C | 565435-5 | BENCH MODEL K | PRE FEED | CUTS CARRIER |
| 1852385-3 | C | 354500-1 | BENCH MODEL G | PRE FEED | CUTS CARRIER |
| 1852385-6 | C | 122500-1 | LEADMAKER | POST FEED | CONTINUOUS CARRIER |
| 7-1852385-7 | A | - | - | - | SPARE PARTS |



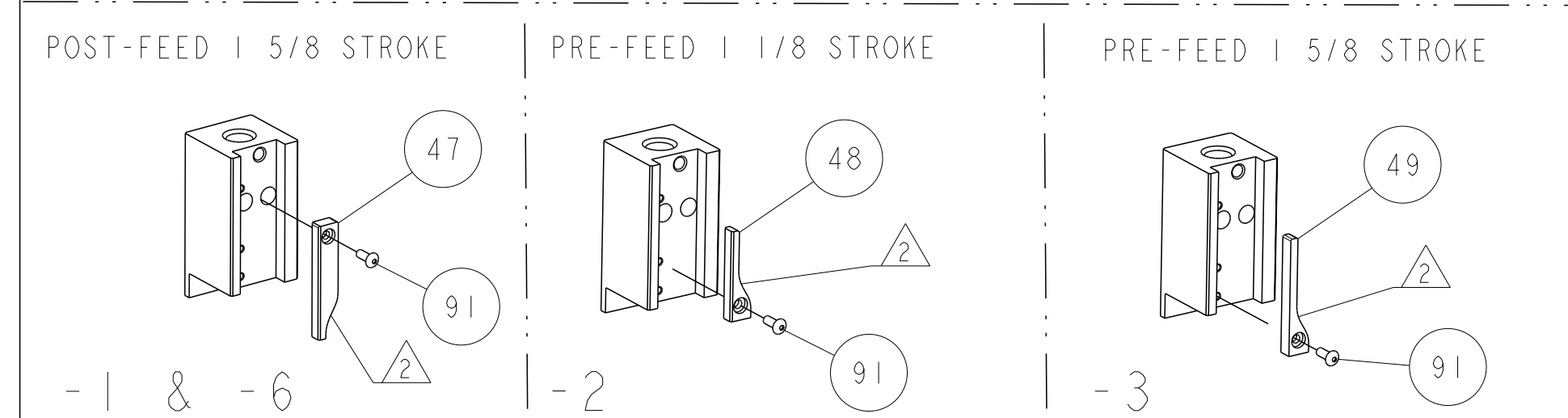
| TEC PN | | MANF PN | | MOLEX TERMINAL - MOLEX CRIMP SPECS | |
|--------------------------------|------------------------|--------------|-------------------------------------|------------------------------------|-----------|
| 1949221 | 33012-3002 | | | | |
| | | PAD LTR | | CRIMP HEIGHT | WIRE SIZE |
| | | A | | 1.30±0.05mm[.051±.002] | 18AWG |
| | | B | | 1.25±0.05mm[.049±.002] | 20AWG |
| | | C | | - | - |
| | | D | | - | - |
| | | CRIMP | | SIZE | TYPE |
| | | WIRE | | 2.08mm[.082] | F |
| | | INSUL | | 2.29mm[.090] | O |
| | | FEED | | 2.59 max | |
| WIRE STRIP LENGTH 4.62-5.00 | TERM APPL SPEC NONE | FEED 2.02 | APPLICATOR INSTRUCTIONS 408-8040 | SET UP GAGE 458637-1 | |

| LOC | DIST | REV | DESCRIPTION | DATE | BY | APPD |
|-----|------|-----|---|-----------|-----|------|
| A | 66 | | | | | |
| | | A1 | MOLEX WAS AMP TERMINAL AND SPEC (ZONE D3) | JUNE2007 | CMR | TB |
| | | B | ECR-07-022847 | SEPT2007 | CMR | GB |
| | | C | ECR-12-001955 | 31JAN2012 | MY | GB |

- ▲ RECOMMENDED SPARE PARTS
- ▲ GREASE LIGHTLY
- ▲ GUARD MUST BE IN PLACE WHEN OPERATING APPLICATOR IN A BENCH MACHINE



| | | | | | | | | |
|---|---|-----|-----|---|---|-------------|---------------------------------------|-----|
| - | 2 | 2 | 2 | 2 | - | 3-354779-2 | PIN, WIRE DISC, .3150 | 127 |
| - | 2 | 2 | 2 | 2 | - | 2-354779-9 | PIN, WIRE DISC, .3135 | 126 |
| - | - | - | REF | - | - | 455749-1 | GUARD WINDOW | 116 |
| - | - | REF | - | - | - | 679532-1 | INSERT, GUARD | 115 |
| ▲ | 1 | 1 | 1 | 1 | - | 690603-1 | SPRING ASSIST AMP-O-MATOR APPLICATOR | 112 |
| ▲ | 1 | 1 | 1 | 1 | - | 2-21008-1 | SCR, SET, SELF LOCKING 1/4-20 X .250 | 93 |
| - | 1 | 1 | 1 | 1 | - | 1424350-1 | HOLDER, PIN, WIRED | 92 |
| - | 1 | 1 | 1 | 1 | - | 1-21002-7 | SCR, BTN SKT HD CAP 6-32 X .375 | 91 |
| - | 1 | 1 | 1 | 1 | - | 318563-1 | GUARD, FRONT CHIP | 89 |
| - | 1 | 1 | 1 | 1 | - | 8-1338389-5 | HOLD DOWN, TERMINAL | 88 |
| - | 1 | 1 | 1 | 1 | - | 4-21028-0 | PIN, SLOTTED SPRING .094 X .750 | 87 |
| - | 1 | 1 | 1 | 1 | - | 455052-1 | CARRIER, HOLD DOWN | 86 |
| - | 2 | 2 | 2 | 2 | - | 22278-9 | SPRING, COMPRESSION | 84 |
| - | 1 | 1 | 1 | 1 | - | 455053-1 | PLATE, RETAINING | 77 |
| - | 1 | 1 | 1 | 1 | - | 1490524-1 | DEPRESSOR, SPACER | 76 |
| - | 1 | 1 | 1 | 1 | - | 1490525-3 | DEPRESSOR, WIRE | 75 |
| - | 1 | 1 | 1 | 1 | - | 4088040 | SF APPL INST 408-8040 | 72 |
| - | 1 | 1 | 1 | 1 | - | 217238-1 | GENERAL INSTRUCTION PKG | 71 |
| - | 3 | 3 | 3 | 3 | - | 2-23147-2 | SPRING, COMPRESSION | 70 |
| - | 1 | 1 | 1 | 1 | - | 461264-1 | PLATE, IDENTIFICATION | 67 |
| - | 2 | 2 | 2 | 2 | - | 21017-2 | SCREW, DRIVE | 66 |
| - | 1 | 1 | 1 | 1 | - | 986950-1 | WASHER, FLAT PRECISION | 64 |
| - | 1 | 1 | 1 | 1 | - | 21009-2 | SCR, SET, SELF LOCKING 1/4-20 X .250 | 63 |
| - | 1 | 1 | 1 | 1 | - | 23030-1 | SCR, SKT HD CAP 6-32 x .25 | 62 |
| - | 1 | 1 | 1 | 1 | - | 22733-8 | SCR, BHSC, SELF-LOCKING, 8-32 X .375 | 60 |
| - | 1 | 1 | 1 | 1 | - | 2-22603-0 | SCR, HEX HD CAP 8-32 X .312 | 59 |
| - | 1 | 1 | 1 | 1 | - | 458537-2 | PAWL, FEED | 56 |
| - | 4 | 4 | 4 | 4 | - | 2-21002-2 | SCR, BTN SKT HD CAP 8-32 X .500 | 54 |
| - | 2 | 2 | 2 | 2 | - | 3-21000-0 | SCR, SKT HD CAP 8-32 X .875 | 53 |
| - | - | 1 | - | - | - | 690602-6 | CAM, PRE FEED, 1 5/8 | 49 |
| - | - | - | 1 | - | - | 690602-5 | CAM, PRE FEED, 1 1/8 | 48 |
| - | 1 | - | - | 1 | - | 690501-4 | CAM, POST-FEED 1 5/8 | 47 |
| - | 1 | 1 | 1 | 1 | - | 459456-1 | APPL. BASIC SUB ASSY (SIDE WISE MQCA) | 46 |
| - | 1 | 1 | 1 | 1 | - | 690191-1 | PLUG, NYLON | 45 |
| - | 1 | 1 | 1 | 1 | - | 455673-1 | RAM, SIDE FEED | 44 |
| - | 1 | 1 | 1 | 1 | - | 690125-1 | SHIM SUB-ASSY | 43 |
| - | 1 | 1 | 1 | 1 | - | 690124-1 | WASHER, RAM (.115) | 42 |
| - | 1 | 1 | 1 | 1 | - | 7-21002-9 | SCR, BTN SKT HD CAP 5/16-24 X 1.00 | 41 |
| - | 1 | 1 | 1 | 1 | - | 23241-6 | BALL, STEEL | 40 |
| - | 1 | 1 | 1 | 1 | - | 690170-1 | SPRING, COMPRESSION | 39 |
| - | 1 | 1 | 1 | 1 | - | 690142-1 | DISC, INSULATION | 38 |
| - | 1 | 1 | 1 | 1 | - | 354777-1 | WIRE DISC, ASSEMBLY | 37 |
| - | 1 | 1 | 1 | 1 | - | 22480-5 | SPRING, COMPRESSION | 36 |
| - | 1 | 1 | 1 | 1 | - | 690212-1 | POST, RAM | 35 |
| - | 1 | 1 | 1 | 1 | - | 690786-3 | TERMINAL SUPPORT | 34 |
| - | 2 | 2 | 2 | 2 | - | 2-21002-4 | SCR, BTN SKT HD CAP 8-32 X .750 | 33 |
| - | 1 | 1 | 1 | 1 | - | 21024-5 | WASHER, SPRG LOCK, REG NO 10 | 32 |
| - | 1 | 1 | 1 | 1 | - | 3-21000-4 | SCR, SKT HD CAP 10-32 X .375 | 31 |
| - | 1 | 1 | 1 | 1 | - | 1320908-1 | SPACER, STRIP GUIDE | 30 |
| - | 1 | 1 | 1 | 1 | - | 1633091-3 | ASSEMBLY, STRIP GUIDE | 29 |
| - | 1 | 1 | 1 | 1 | - | 2-455888-7 | SPACER, CRIMPER | 28 |
| - | 1 | 1 | 1 | 1 | - | 1320928-1 | PLATE, STRIP GUIDE | 24 |
| - | 1 | - | - | 1 | - | 690472-2 | STRIPPER | 22 |
| - | 1 | 1 | 1 | 1 | - | 2-21000-7 | SCR, SKT HD CAP 8-32 X .500 | 21 |
| - | 4 | 4 | 4 | 4 | - | 21024-4 | WASHER, SPRG LOCK, REG NO 8 | 20 |
| ▲ | - | 1 | 1 | 1 | - | 691353-1 | STRIPPER | 19 |
| ▲ | 1 | - | - | - | - | 679625-1 | SHEAR HOLDER, FRONT (NO CUT) | 17 |
| ▲ | 1 | 1 | 1 | 1 | - | 3-22280-3 | SPRING, COMPRESSION | 12 |
| ▲ | 1 | 1 | 1 | 1 | - | 690461-1 | STOP, SHEAR | 11 |
| ▲ | - | 1 | 1 | 1 | - | 690459-1 | SHEAR HOLDER, FRONT | 10 |
| ▲ | 1 | 1 | 1 | 1 | - | 454276-1 | FLOATING SHEAR, FRONT | 9 |
| ▲ | 1 | 1 | 1 | 1 | - | 8-1633116-6 | ANVIL, COMBINATION | 8 |
| ▲ | 1 | 1 | 1 | 1 | - | 1-455889-4 | DEPRESSOR, SHEAR | 5 |
| ▲ | 1 | 1 | 1 | 1 | - | 238011-4 | BLOCK, CRIMPER SPACER | 4 |
| ▲ | 1 | 1 | 1 | 1 | - | 1-683454-4 | CRIMPER, INSULATION 0 | 3 |
| ▲ | 1 | 1 | 1 | 1 | - | 455888-3 | SPACER, CRIMPER | 2 |
| ▲ | 1 | 1 | 1 | 1 | - | 6-1490019-2 | CRIMPER, WIRE PREMIUM | 1 |



THIS DRAWING IS A CONTROLLED DOCUMENT.

APPROVED: T. ELBIN, T. BENCHOFF

DATE: 5DEC2006

NAME: SIDE FEED HDM APPLICATOR

SIZE: A1, CAGE CODE: 100779, DRAWING NO: 1852385

SCALE: 3:5, SHEET: 1 OF 1, REV: C

Mouser Electronics

Authorized Distributor

Click to View Pricing, Inventory, Delivery & Lifecycle Information:

[TE Connectivity:](#)

[1852385-3](#)