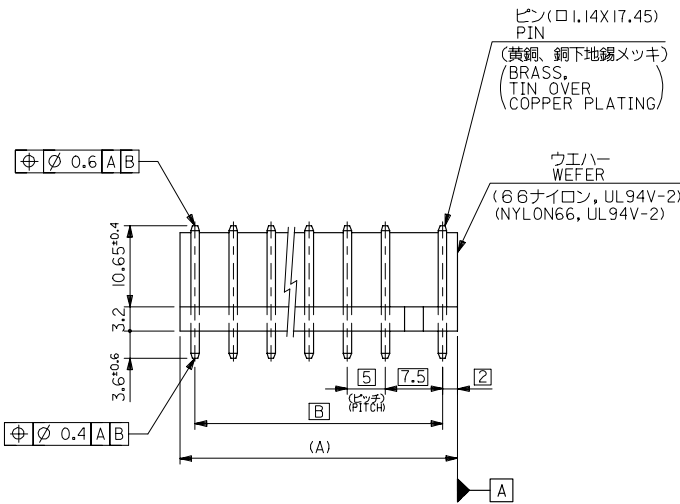


10 9 8 7 6 5 4 3 2 1

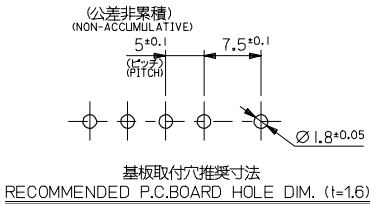
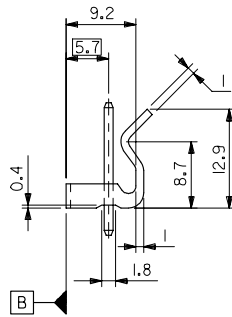
F  
E  
D  
C  
B  
A

F  
E  
D  
C  
B  
A



注記  
NOTE

1. ウエハーの反りは、長さ 25.4mm に対して最大 0.22mm  
CAMBER MUST BE WITHIN 0.22mm MAX. PER 25.4mm.



27.5	31.5	10-31-1068	5289-6A	6
22.5	26.5	10-31-1058	5289-5A	5
17.5	21.5	10-31-1048	5289-4A	4
12.5	16.5	10-31-1038	5289-3A	3
7.5	11.5	10-31-1028	5289-2A	2
B	(A)	EDP NO.	ENG. NO.	機 材 C R T S.

REVISED EC NO. J2008-0904 2007/09/28 DRAWN: HABEI CHKD: THIRUYANA 2007/09/28 APPR: NUKITA 2007/09/28	GENERAL TOLERANCES (UNLESS SPECIFIED)		DIMENSION STYLE MM ONLY		SCALE 2:1	DESIGN UNITS METRIC	THIRD ANGLE PROJECTION
	10 UNDER	±0.2	DRAWN BY S. MATSUZAKI	DATE '96/08/06	TITLE KK 5/7.5 WAFER ASSY WITH LOCK		
	10 OVER 30 UNDER	±0.25	CHECKED BY Y. MIZUNO	DATE '96/08/07			
	30 OVER	±0.3	APPROVED BY M. FUKUSHIMA	DATE '96/08/07	MOLEX INCORPORATED		
	ANGULAR	±3 °	MATERIAL NO.				
DRAFT WHERE APPLICABLE MUST REMAIN WITHIN DIMENSIONS		SEE TABLE		THIS DRAWING CONTAINS INFORMATION THAT IS PROPRIETARY TO MOLEX INCORPORATED AND SHOULD NOT BE USED WITHOUT WRITTEN PERMISSION			