

LOC	DIST	REVISIONS					
A	66	P	LTR	DESCRIPTION	DATE	DWN	APVD
			A1	SEE PRODUCT DRAWING	-	-	-


SEE PRODUCTION DRAWING
1852590

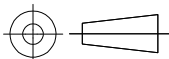
THIS DRAWING IS UNPUBLISHED.

ALL INTERNATIONAL RIGHTS RESERVED.

BY TYCO ELECTRONICS CORPORATION.

© COPYRIGHT

DIMENSIONS: INCHES	DWN	M.YOUNGER	15FEB2011	MATERIAL	-	FINISH	-
	CHK	-	-	 Tyco Electronics Corporation Harrisburg, PA 17105-3608			
TOLERANCES UNLESS OTHERWISE SPECIFIED:	APVD	-	-				
	PRODUCT SPEC	-	-	SIDE FEED HDM APPLICATOR			
	APPLICATION SPEC	-	-	SIZE	CAGE CODE	DRAWING NO	RESTRICTED TO
0 PLC ± -	WEIGHT	-	-	A4	00779	C-1852590	-
1 PLC ± -	CUSTOMER DRAWING			SCALE	1:1	SHEET	1 OF 1
2 PLC ± -				REV	A1		
3 PLC ± -							
4 PLC ± -							
ANGLES ± -							



Mouser Electronics

Authorized Distributor

Click to View Pricing, Inventory, Delivery & Lifecycle Information:

[TE Connectivity:](#)

[1852590-1](#)