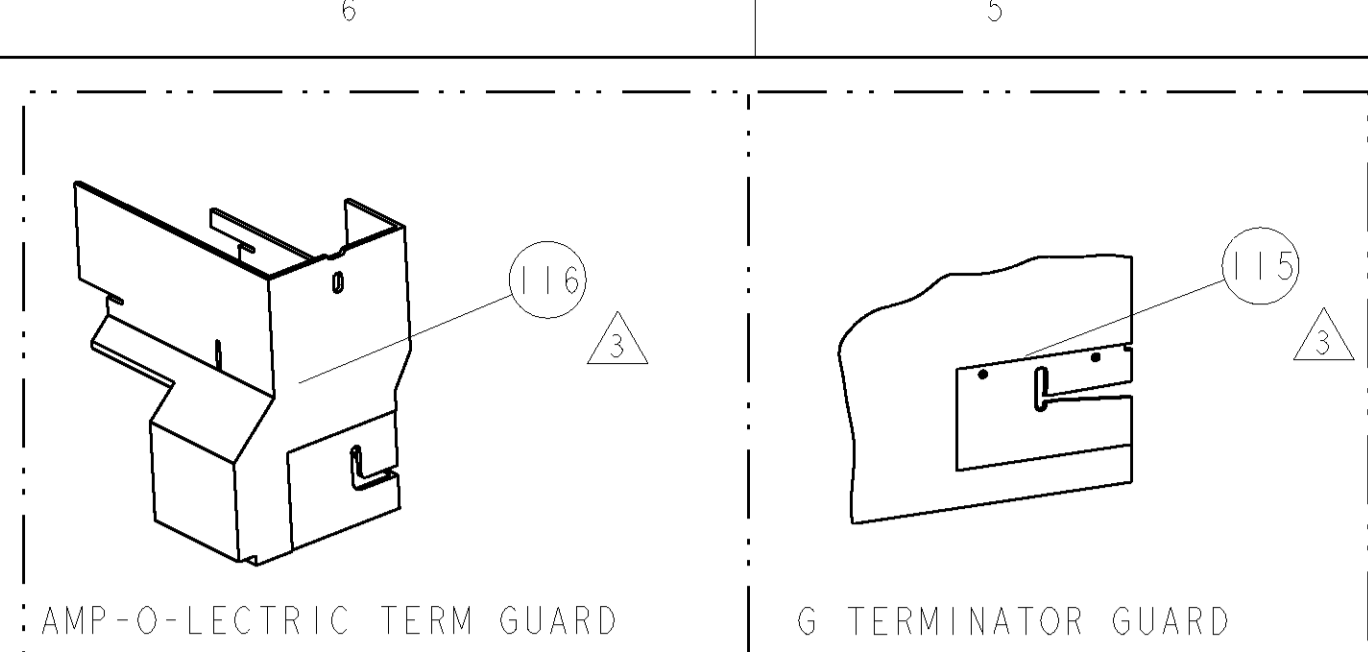


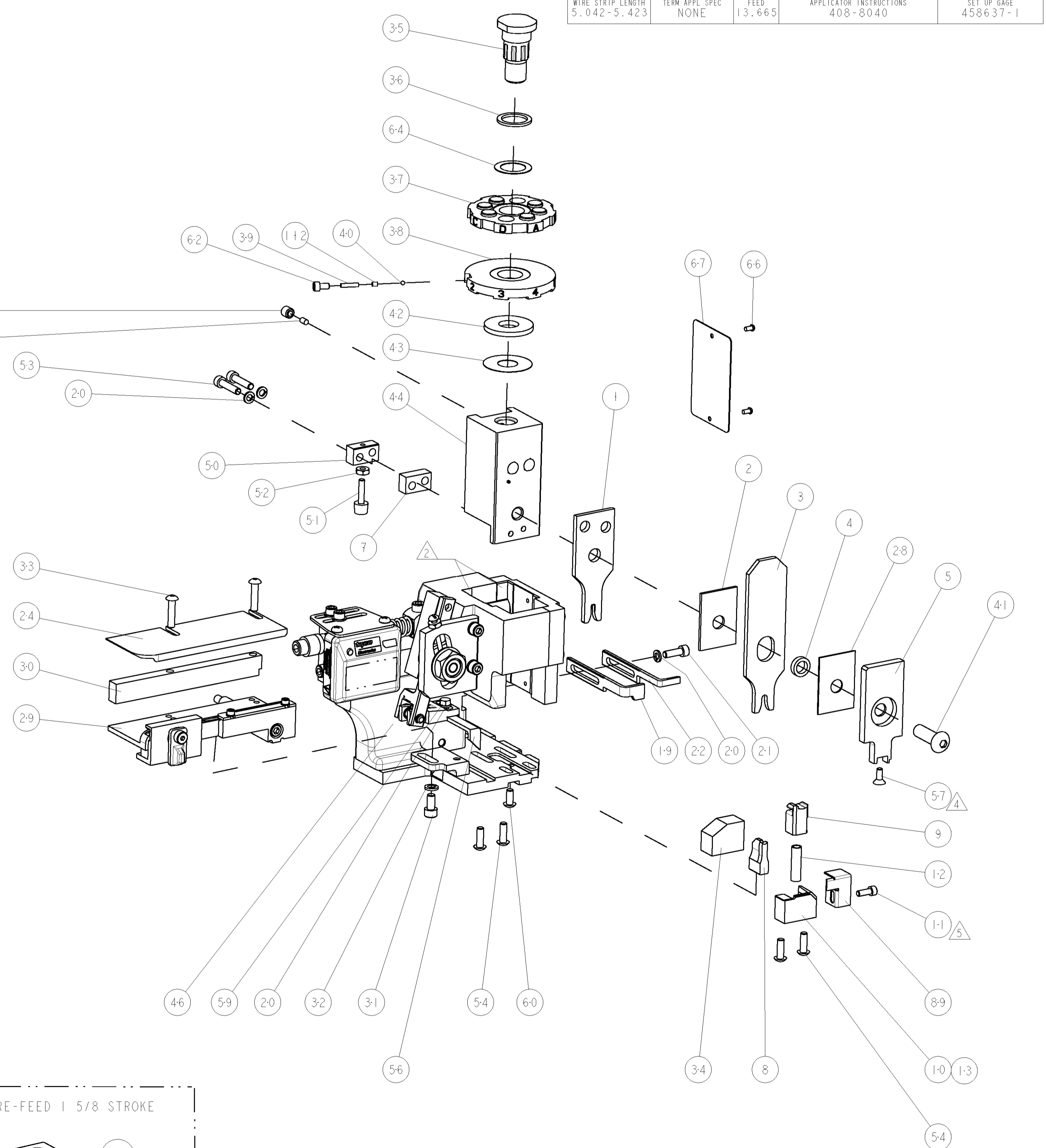
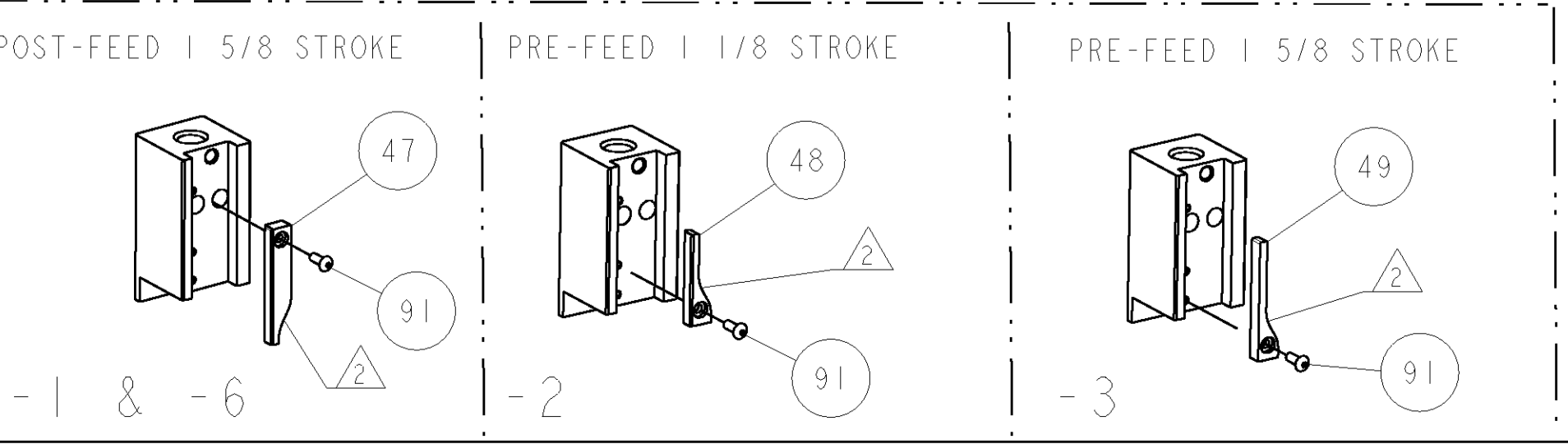
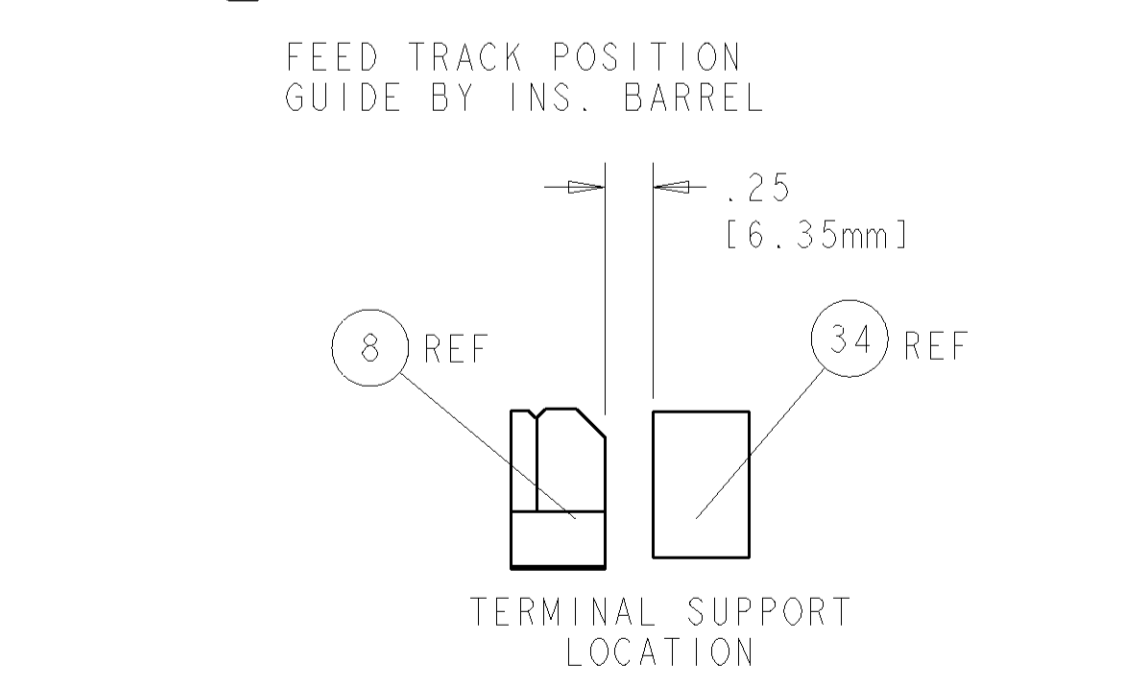
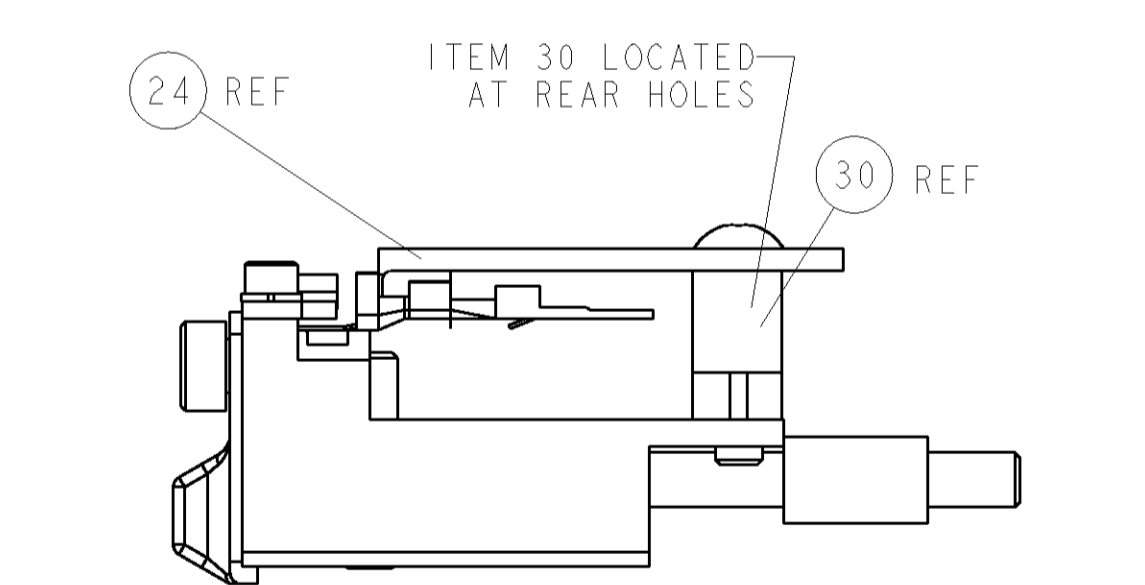
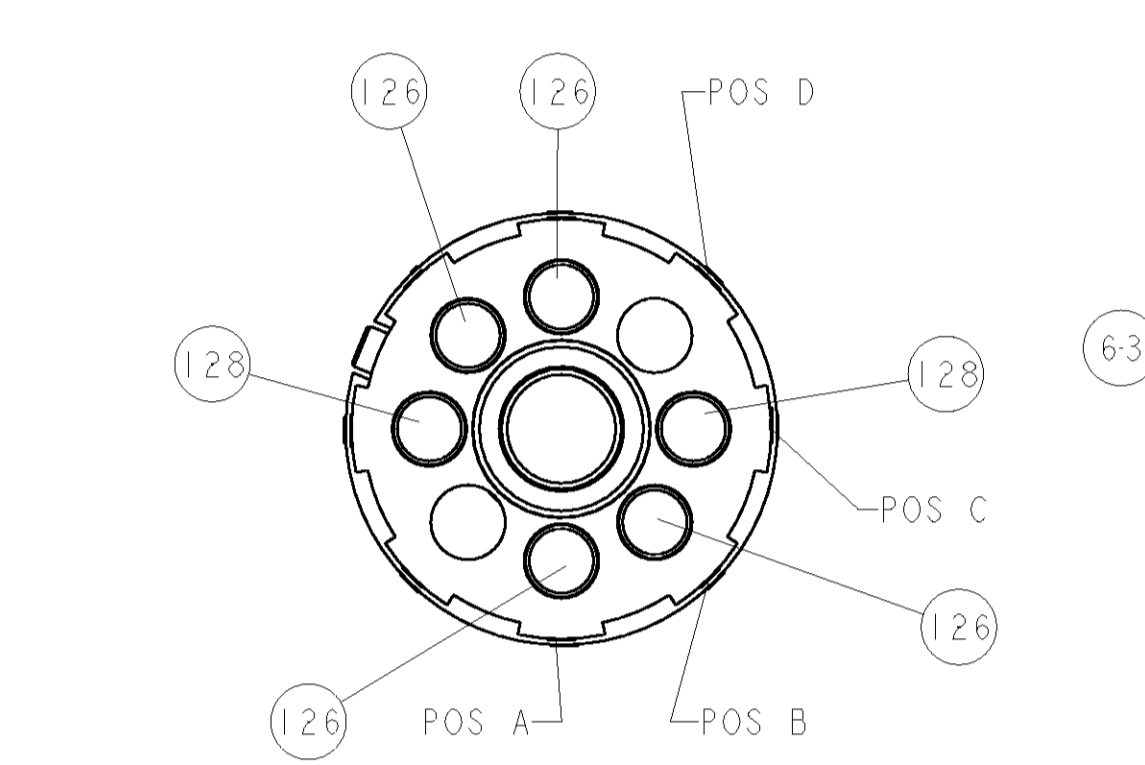
PART NUMBER	REV	FIRST USED	POWER UNIT	FEED TYPE	DESCRIPTION
1852628-1	A	122500-1	LEADMAKER	POST FEED	CUTS CARRIER
1852628-2	A	565435-5	BENCH MODEL K	PRE FEED	CUTS CARRIER
1852628-3	A	354500-1	BENCH MODEL G	PRE FEED	CUTS CARRIER
1852628-6	A	122500-1	LEADMAKER	POST FEED	CONTINUOUS CARRIER
7-1852628-7	A	-	-	-	SPARE PARTS



TE PN		COMP PN		PACKARD TERMINAL - PACKARD CRIMP SPECS	
1949603-1	-	12084611	-	CRIMP HEIGHT	WIRE SIZE
-	-	-	-	A 1.65mm±.05/-0.05 [ .065±.002/-0.002 ]	1mm2
-	-	-	-	B 1.65mm±.05/-0.05 [ .065±.002/-0.002 ]	18AWG or 0.8mm2
-	-	-	-	C 1.60mm±.05/-0.05 [ .063±.002/-0.002 ]	20AWG or 0.5mm2
-	-	-	-	D	-
SEAL PN.	CRIMP	SIZE	TYPE	RANGE	
1949604-1	-	15324973	WIRE	2.16mm [ .085 ]	F 0.50-1.00
-	-	-	INSUL	3.94mm [ .155 ]	O Ø2.0-2.9
WIRE STRIP LENGTH	TERM APPL SPEC	FEED	APPLICATOR INSTRUCTIONS		SET UP GAGE
5.042-5.423	NONE	13.665	408-8040		458637-1

LOC	DIST	REVISIONS				
A	66	P LTR	DESCRIPTION	DATE	DWN	APVD
		A	RELEASED	29FEB2008	BH	BH

- △ RECOMMENDED SPARE PARTS
- △ GREASE LIGHTLY
- △ GUARD MUST BE IN PLACE WHEN OPERATING APPLICATOR IN A BENCH MACHINE
- △ APPLY TORO-SEAL IN ALLEN SOCKET TO FILL HOLE AFTER FLAT HD HAS BEEN ADJUSTED TO CORRECT HEIGHT AT QUALIFICATION. APPLY PN 1-23419-5 LOC-TITE TO THREADS.
- △ GRIND AT ASSEMBLY.



-	2	2	2	2	-	354779-4	PIN, WIRE DISC, .3010	128
-	2	2	2	2	-	354779-1	PIN, WIRE DISC, .2995	127
-	2	2	2	2	-	354779-1	PIN, WIRE DISC, .2995	126
△	-	-	REF	-	..	455749-1	GUARD WINDOW	116
△	-	-	REF	-	..	679532-1	INSERT, GUARD	115
-	1	1	1	1	-	690603-1	SPRING ASSIST AMP-O-MATOR APPLICATOR	112
-	1	1	1	1	-	1-21002-7	SCR, BTN SKT HD CAP 6-32 X .375	91
-	1	1	1	1	-	318563-1	GUARD, FRONT CHIP	89
-	1	1	1	1	-	4088040	SF APPL INST 408-8040	72
-	1	1	1	1	-	217238-1	GENERAL INSTRUCTION PKG	71
-	1	1	1	1	-	461264-1	PLATE, IDENTIFICATION	67
-	2	2	2	2	-	21017-2	SCREW, DRIVE	66
-	1	1	1	1	-	986950-1	WASHER, FLAT PRECISION	64
-	1	1	1	1	-	21009-2	SCR, SET, SELF LOCKING 1/4-20 X .250	63
-	1	1	1	1	-	23030-1	SCR, SKT HD CAP 6-32 X .25	62
-	1	1	1	1	-	22733-8	SCR, BHSC, SELF-LOCKING, 8-32 X .375	60
-	1	1	1	1	-	2-22603-0	SCR, HEX HD CAP 8-32 X .312	59
△	-	1	1	1	-	1-21003-9	SCR, FLT SKT HD CAP 6-32 X .375	57
-	1	1	1	1	-	458537-2	PAWL, FEED	56
-	4	4	4	4	-	2-21002-2	SCR, BTN SKT HD CAP 8-32 X .500	54
-	2	2	2	2	-	2-21000-9	SCR, SKT HD CAP 8-32 X .750	53
-	1	1	1	1	-	21018-5	NUT, HEX, REG 6-32	52
-	1	1	1	1	-	811242-2	BUMPER, HOLD DOWN	51
-	1	1	1	1	-	690753-1	SPACER, TONKER	50
-	-	-	-	-	..	690602-6	CAM, PRE FEED, 1 5/8	49
-	-	-	-	-	..	690602-5	CAM, PRE FEED, 1 1/8	48
-	1	-	-	-	-	690501-4	CAM, POST FEED, 1 5/8	47
-	1	1	1	1	-	459456-1	APPL. BASIC SUB ASSY (SIDE WISE MOCA)	46
-	1	1	1	1	-	690191-1	PLUG, NYLON	45
-	1	1	1	1	-	455673-1	RAM, SIDE FEED	44
-	1	1	1	1	-	690125-1	SHIM SUB-ASSY	43
-	1	1	1	1	-	690124-1	WASHER, RAM (.115)	42
-	1	1	1	1	-	7-21002-9	SCR, BTN SKT HD CAP 5/16-24 X 1.00	41
-	1	1	1	1	-	23241-6	BALL, STEEL	40
-	1	1	1	1	-	690170-1	SPRING, COMPRESSION	39
-	1	1	1	1	-	690142-4	DISC, INSULATION	38
-	1	1	1	1	-	354777-1	WIRE DISC, ASSEMBLY	37
-	1	1	1	1	-	22480-5	SPRING, COMPRESSION	36
-	1	1	1	1	-	690212-1	POST, RAM	35
-	1	1	1	1	-	690786-3	TERMINAL SUPPORT	34
-	2	2	2	2	-	2-21002-4	SCR, BTN SKT HD CAP 8-32 X .750	33
-	1	1	1	1	-	21024-5	WASHER, SPRG LOCK, REG NO 10	32
-	1	1	1	1	-	3-21000-4	SCR, SKT HD CAP 10-32 X .375	31
-	1	1	1	1	-	1320908-8	SPACER, STRIP GUIDE	30
-	1	1	1	1	-	1633091-1	ASSEMBLY, STRIP GUIDE	29
-	1	1	1	1	-	455888-7	SPACER, CRIMPER	28
-	1	1	1	1	-	1320928-3	PLATE, STRIP GUIDE	24
-	1	-	-	-	-	690472-2	STRIPPER	22
-	1	1	1	1	-	2-21000-7	SCR, SKT HD CAP 8-32 X .500	21
-	4	4	4	4	-	21024-4	WASHER, SPRG LOCK, REG NO 8	20
-	-	-	-	-	-	691353-1	STRIPPER	19
△	-	-	-	-	-	679625-2	SHEAR HOLDER, FRONT (NO CUT)	13
-	1	1	1	1	-	3-22280-3	SPRING, COMPRESSION	12
△	-	-	-	-	-	1-21000-9	SCR, SKT HD CAP 6-32 X .375	11
△	-	-	-	-	-	1-690459-0	SHEAR HOLDER, FRONT	10
△	-	-	-	-	-	318707-2	FLOATING SHEAR, FRONT	9
△	1	1	1	1	-	5-1633535-8	ANVIL, COMBINATION	8
-	1	1	1	1	-	6-240641-8	SPACER	7
-	-	-	-	-	..	-	-	6
-	1	1	1	1	-	318701-1	DEPRESSOR, SHEAR	5
-	1	1	1	1	-	238011-2	BLOCK, CRIMPER SPACER	4
△	1	1	1	1	-	3-456135-7	CRIMPER, INSULATION O PREMIUM	3
△	1	1	1	1	-	1-455888-5	SPACER, CRIMPER	2
△	1	1	1	1	-	1633609-6	CRIMPER, WIRE	1

DIMENSIONS:		TOLERANCES UNLESS OTHERWISE SPECIFIED:		DRAWN		DATE		APPROVED	
INCHES	9 PLC ±.01	1 PLC ±.01	3 PLC ±.001	4 PLC ±.0001	ELBMAN	14JAN2008	ELBMAN	14JAN2008	ELBMAN
MATERIAL	FINISH	WEIGHT	CUSTOMER DRAWING	SCALE	3:5	SHEET	1	OF	1
CUSTOMER DRAWING		SCALE		3:5		SHEET		1	

CUSTOMER VIEWABLE ASSEMBLY

# Mouser Electronics

Authorized Distributor

Click to View Pricing, Inventory, Delivery & Lifecycle Information:

[TE Connectivity:](#)

[1852628-2](#)