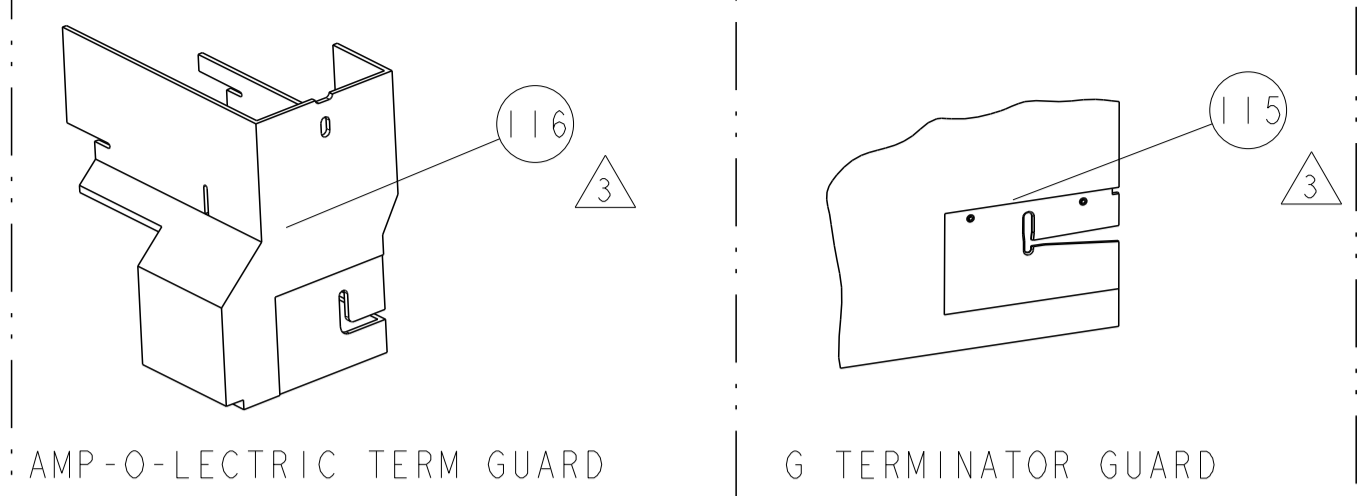
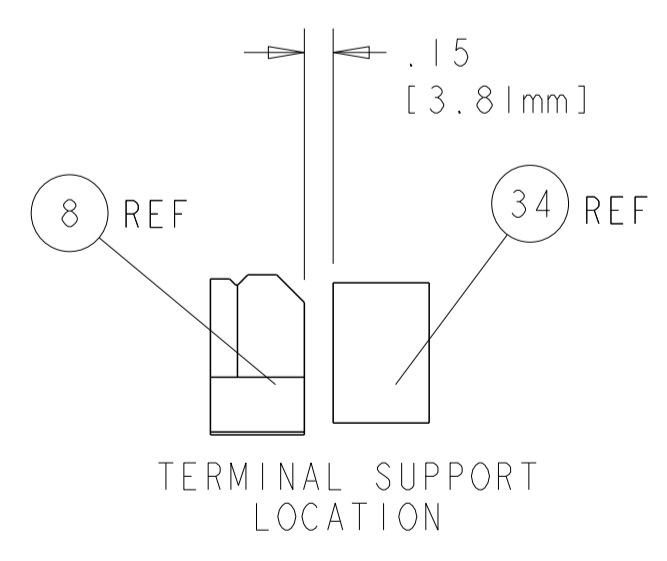
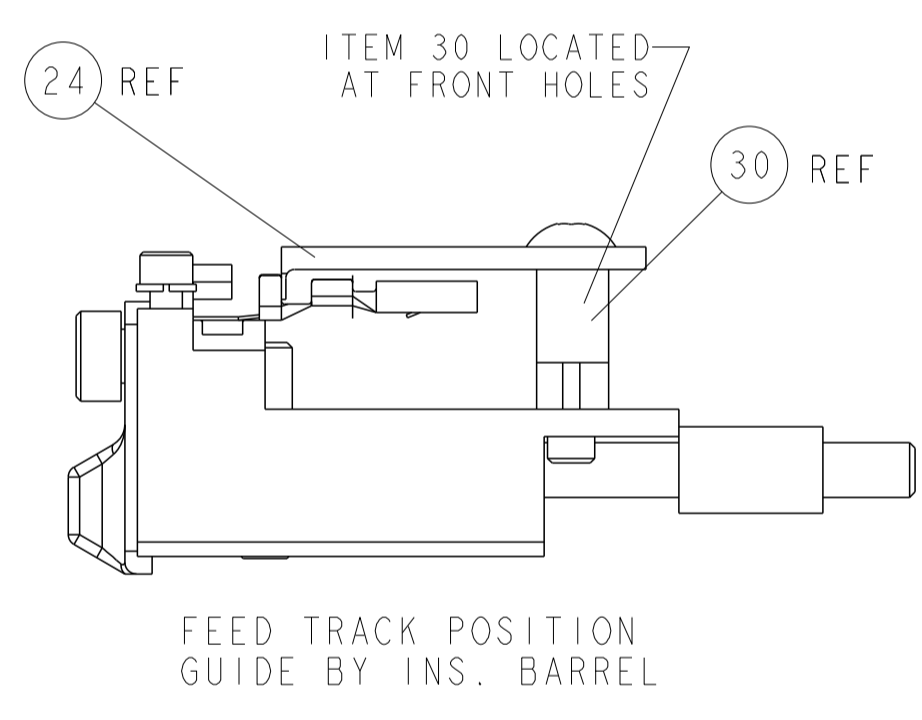
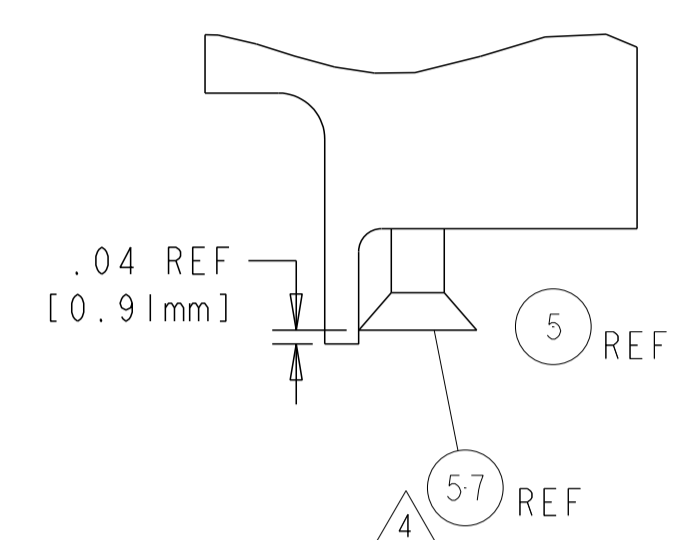
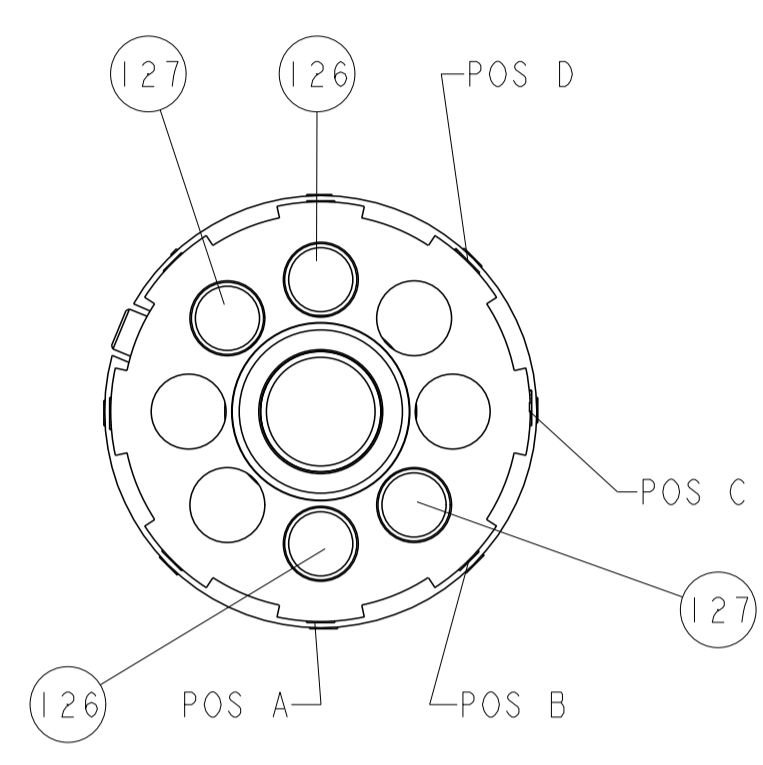
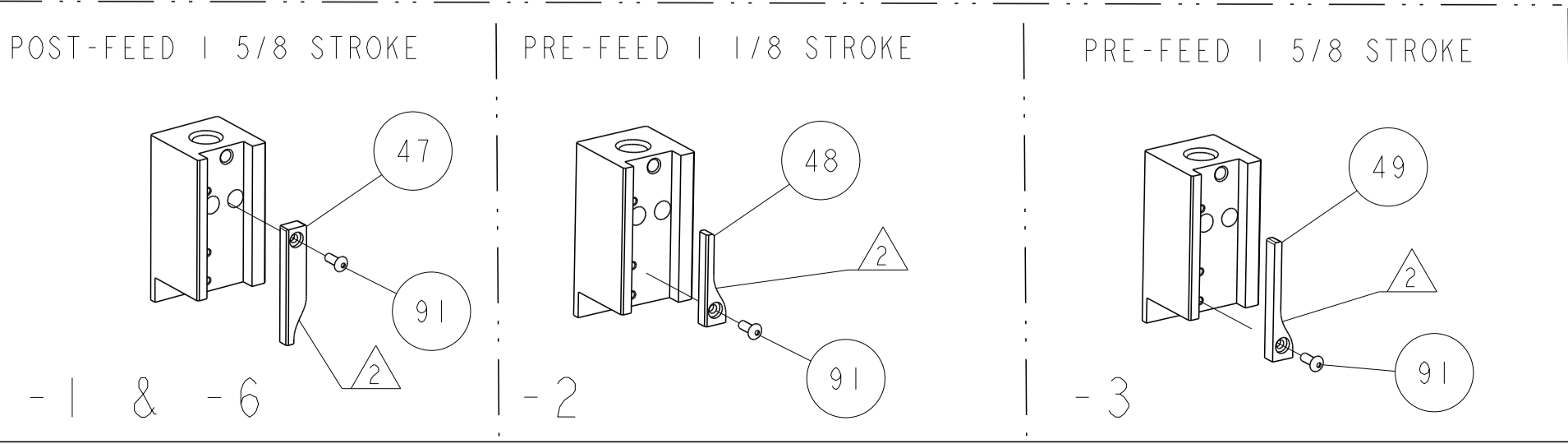
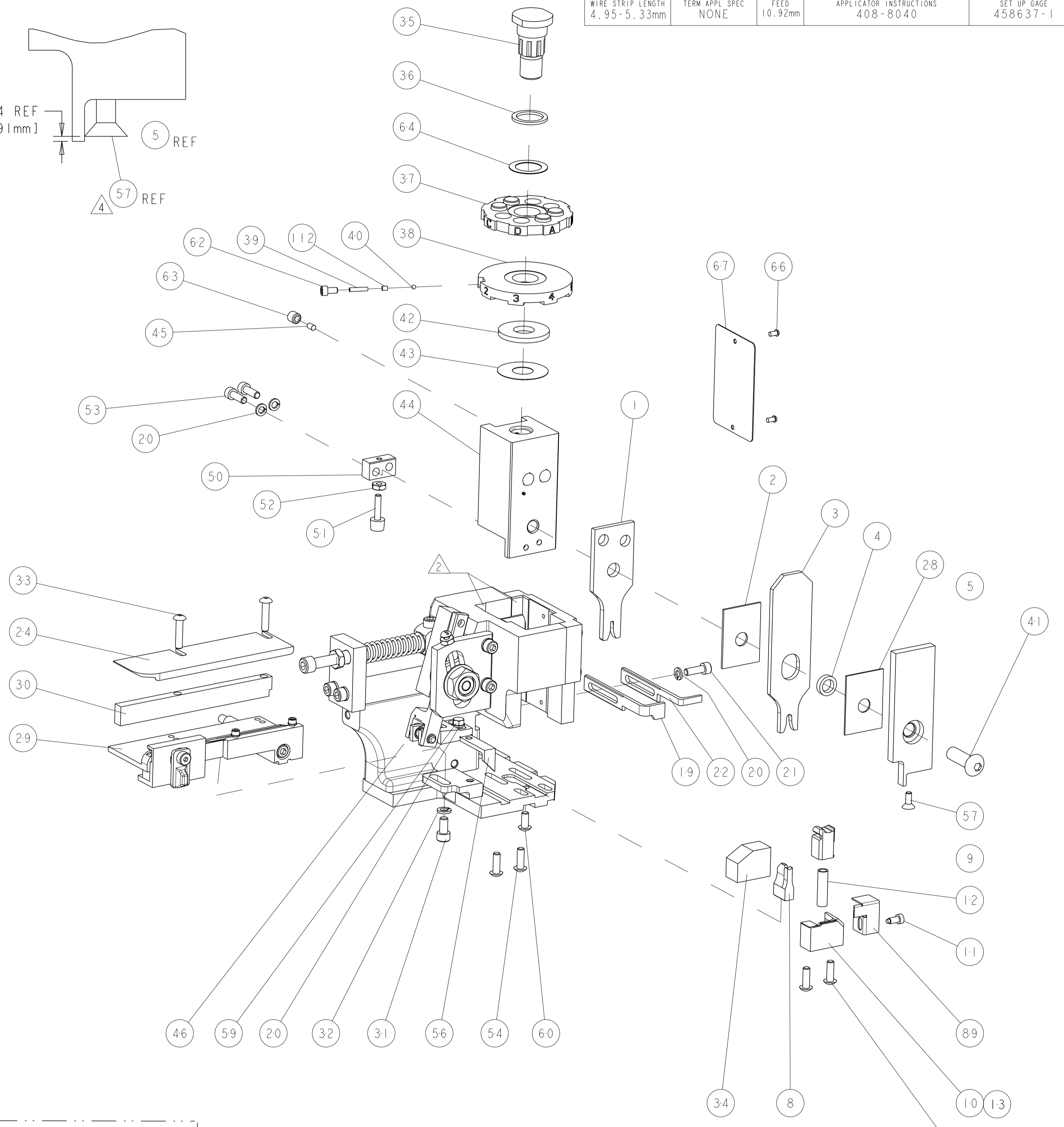


PART NUMBER	REV	FIRST USED	POWER UNIT	FEED TYPE	DESCRIPTION
1852531-1	A	122500-1	LEADMAKER	POST FEED	CUTS CARRIER
1852531-2	A	565435-5	BENCH MODEL K	PRE FEED	CUTS CARRIER
1852531-3	A	354500-1	BENCH MODEL G	PRE FEED	CUTS CARRIER
1852531-6	A	122500-1	LEADMAKER	POST FEED	CONTINUOUS CARRIER
7-1852531-7	A	-	-	-	SPARE PARTS

- △ 1 RECOMMENDED SPARE PARTS
- △ 2 GREASE LIGHTLY
- △ 3 GUARD MUST BE IN PLACE WHEN OPERATING APPLICATOR IN A BENCH MACHINE



TERMINAL NAME: F M/P .280 SEALED TANGLESS					
TE PN	PACKARD PN	PACKARD TERMINAL - PACKARD CRIMP SPECS			
1949458	15326264				
		PAD LTR	CRIMP HEIGHT	WIRE SIZE	
		A	1.15±0.05mm [.045±.002]	0.50mm2	
		B	1.05±0.05mm [.041±.002]	0.35mm2	
		C	-	-	
		D	-	-	
		CRIMP	SIZE	TYPE	RANGE
SEAL PN.	-	-	-	-	-
286970-1	15366021	WIRE	1.75mm [.069]	F	0.35-0.50mm2
-	-	INSUL	3.60mm [1.42]	O	1.2-1.85mm
WIRE STRIP LENGTH	TERM APPL SPEC	FEED	APPLICATOR INSTRUCTIONS		SET UP GAGE
4.95-5.33mm	NONE	10.92mm	408-8040		458637-1



LOC	DIST	REVISIONS				
A	66	P LTR	DESCRIPTION	DATE	DWN	APVD
		A	PRODUCT RELEASE	22AUG2007	CMR	GB
		A1	ECR-14-013118	3SEP14	RS	LZ

2	2	2	2	-	5-354779-2	PIN, WIRE DISC, .3250	127
2	2	2	2	-	4-354779-1	PIN, WIRE DISC, .3195	126
-	-	REF	-	..	455749-1	GUARD WINDOW	116
-	-	REF	-	..	679532-1	INSERT, GUARD	115
-	1	1	1	-	690603-1	SPRING ASSIST AMP-O-MATOR APPLICATOR	112
-	1	1	1	-	1-21002-7	SCR, BTN SKT HD CAP 6-32 X .375	91
-	1	1	1	-	318563-1	GUARD, FRONT CHIP	89
-	1	1	1	-	4088040	SF APPL INST 408-8040	72
-	1	1	1	-	217238-1	GENERAL INSTRUCTION PKG	71
-	1	1	1	-	461264-1	PLATE, IDENTIFICATION	67
-	2	2	2	-	21017-2	SCREW, DRIVE	66
-	1	1	1	-	986950-1	WASHER, FLAT PRECISION	64
-	1	1	1	-	21009-2	SCR, SET, SELF LOCKING 1/4-20 X .250	63
-	1	1	1	-	23030-1	SCR, SKT HD CAP 6-32 x .25	62
-	1	1	1	-	22733-8	SCR, BHSC, SELF-LOCKING, 8-32 X .375	60
-	1	1	1	-	2-22603-0	SCR, HEX HD CAP 8-32 X .312	59
-	1	1	1	-	1-21003-9	SCR, FLT SKT HD CAP 6-32 X .375	57
-	1	1	1	-	458537-2	PAWL, FEED	56
-	4	4	4	-	2-21002-2	SCR, BTN SKT HD CAP 8-32 X .500	54
-	2	2	2	-	2-21000-7	SCR, SKT HD CAP 8-32 X .500	53
-	1	1	1	-	21018-5	NUT, HEX, REG 6-32	52
-	1	1	1	-	811242-2	BUMPER, HOLD DOWN	51
-	1	1	1	-	690753-1	SPACER, TONKER	50
-	-	1	-	..	690602-6	CAM, PRE FEED, 1/8	49
-	-	1	-	..	690602-5	CAM, PRE FEED, 1/8	48
-	1	-	-	..	690501-4	CAM, POST-FEED 1/8	47
-	1	1	1	-	459456-1	APPL. BASIC SUB ASSY (SIDE WISE MOCA)	46
-	1	1	1	-	690191-1	PLUG, NYLON	45
-	1	1	1	-	455673-1	RAM, SIDE FEED	44
-	1	1	1	-	690125-1	SHIM SUB-ASSY	43
-	1	1	1	-	690124-1	WASHER, RAM (.115)	42
-	1	1	1	-	7-21002-9	SCR, BTN SKT HD CAP 5/16-24 X 1.00	41
-	1	1	1	-	23241-6	BALL, STEEL	40
-	1	1	1	-	690170-1	SPRING, COMPRESSION	39
-	1	1	1	-	690142-6	DISC, INSULATION	38
-	1	1	1	-	354777-1	WIRE DISC, ASSEMBLY	37
-	1	1	1	-	22480-5	SPRING, COMPRESSION	36
-	1	1	1	-	690212-1	POST, RAM	35
-	1	1	1	-	3-690786-5	TERMINAL SUPPORT	34
-	2	2	2	-	2-21002-4	SCR, BTN SKT HD CAP 8-32 X .750	33
-	1	1	1	-	21024-5	WASHER, SPRG LOCK, REG NO 10	32
-	1	1	1	-	3-21000-4	SCR, SKT HD CAP 10-32 X .375	31
-	1	1	1	-	1-1320908-5	SPACER, STRIP GUIDE	30
-	1	1	1	-	1633091-1	ASSEMBLY, STRIP GUIDE	29
-	1	1	1	-	455888-7	SPACER, CRIMPER	28
-	1	1	1	-	1320928-1	STRIP GUIDE	24
-	1	-	-	-	690472-2	STRIPPER	22
-	1	1	1	-	2-21000-7	SCR, SKT HD CAP 8-32 X .500	21
-	4	4	4	-	21024-4	WASHER, SPRG LOCK, REG NO 8	20
-	-	1	-	..	691353-1	STRIPPER	19
△	-	-	-	-	679625-2	SHEAR HOLDER, FRONT (NO CUT)	13
△	-	1	1	-	3-22280-3	SPRING, COMPRESSION	12
△	-	1	1	-	690461-2	STOP, SHEAR	11
△	-	1	1	-	1-690459-0	SHEAR HOLDER, FRONT	10
△	-	1	1	-	318707-2	FLOATING SHEAR, FRONT	9
△	1	1	1	-	3-1633535-5	ANVIL, COMBINATION	8
-	-	-	-	..	-	-	7
-	-	-	-	..	-	-	6
-	1	1	1	-	318701-1	DEPRESSOR, SHEAR	5
-	1	1	1	-	238011-2	BLOCK, CRIMPER SPACER	4
△	1	1	1	-	7-1583690-2	CRIMPER, INSUL O	3
-	1	1	1	-	1-455888-0	SPACER, CRIMPER	2
△	1	1	1	-	5-1633305-7	CRIMPER, WIRE PREMIUM	1

DIMENSIONS:		TOLERANCES UNLESS OTHERWISE SPECIFIED:		APVD		NAME	
0 PLC	±	0.001		C. REICHELDEFFER	TE CONNECTIVITY	Harrisburg, PA 17105-3608	
1 PLC	±	0.01		T. ELBIN	10AUG2007	SIDE FEED HDM APPLICATOR	
2 PLC	±	0.01		A. BENCHOFF	10AUG2007	-	
3 PLC	±	0.001		APPLICATION SPEC			
4 PLC	±	0.0001		PRODUCT SPEC			
MATERIAL:		FINISH:		WEIGHT:	SIZE	CAGE CODE	DRAWING NO
-		-		-	A1	00779	C=1852531
CUSTOMER DRAWING				SCALE		SHEET	
-				3:5		1 OF 1	