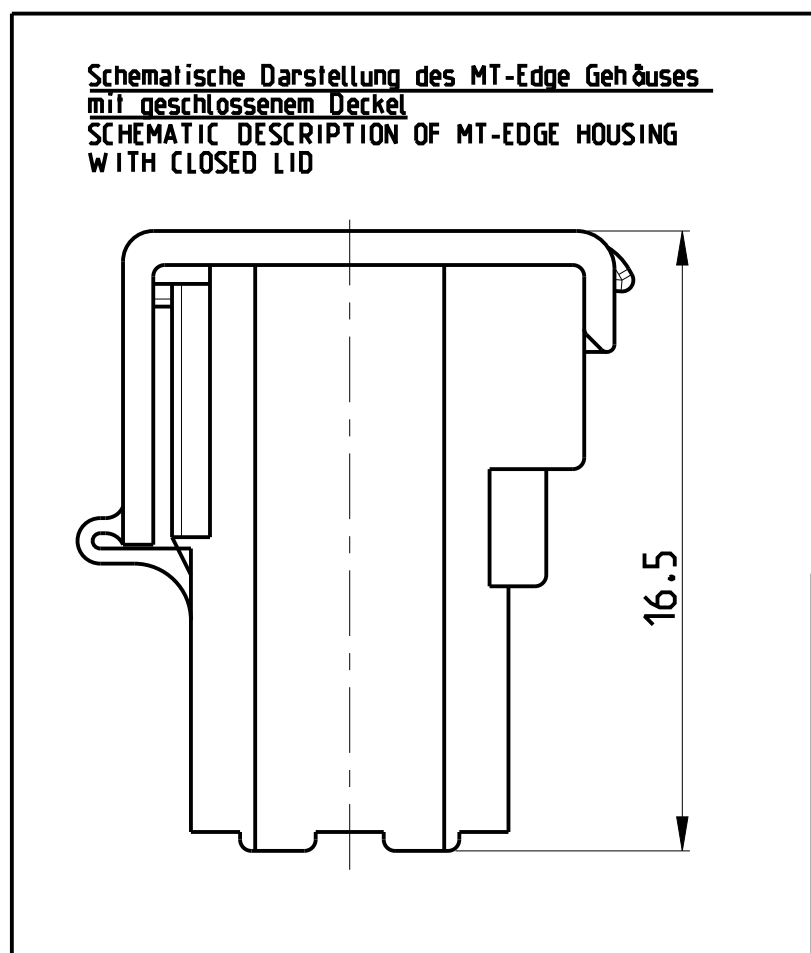
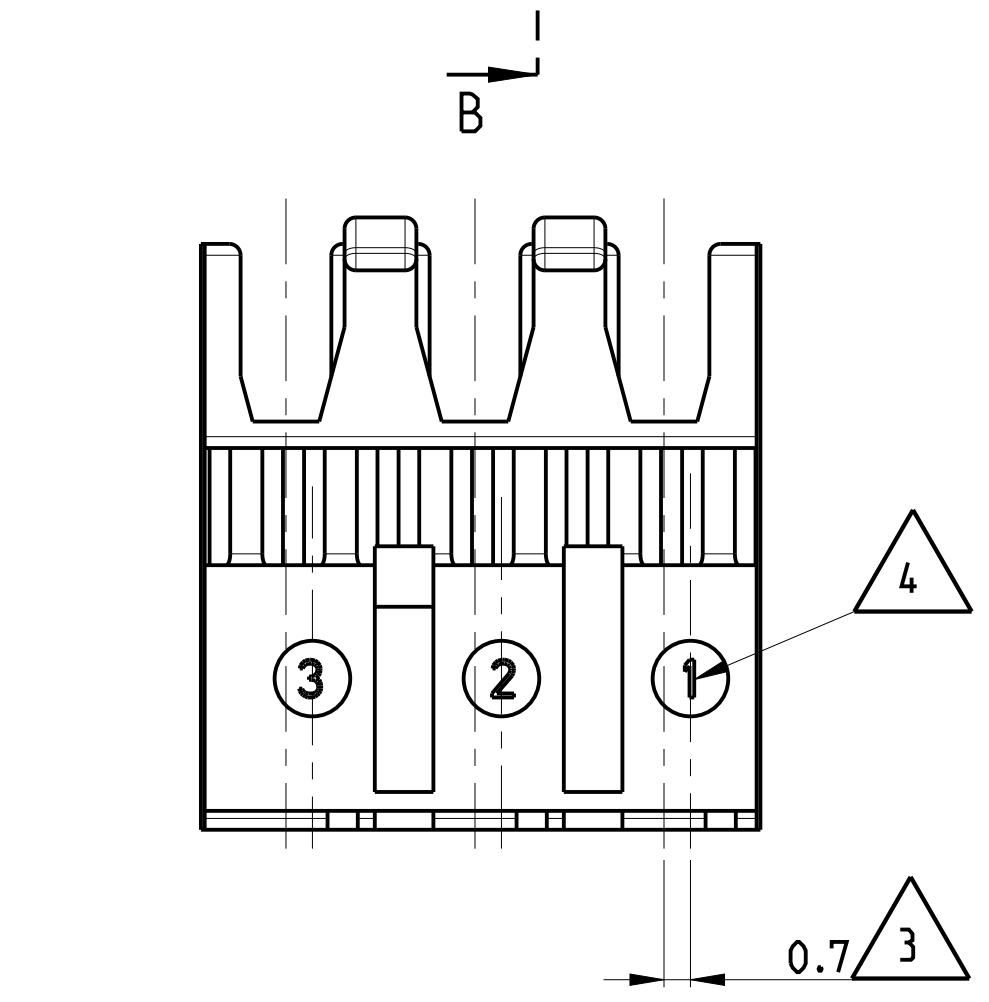
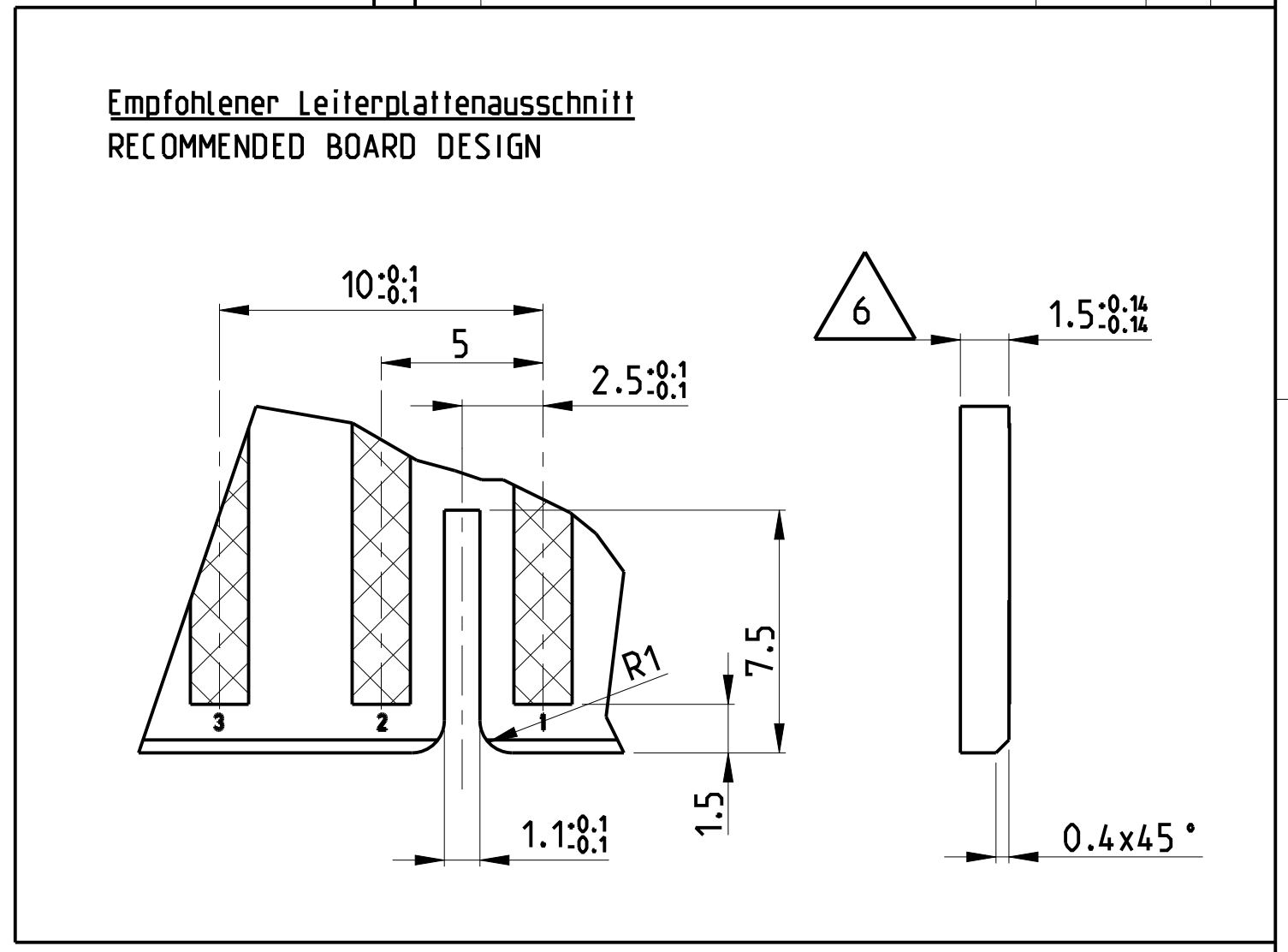
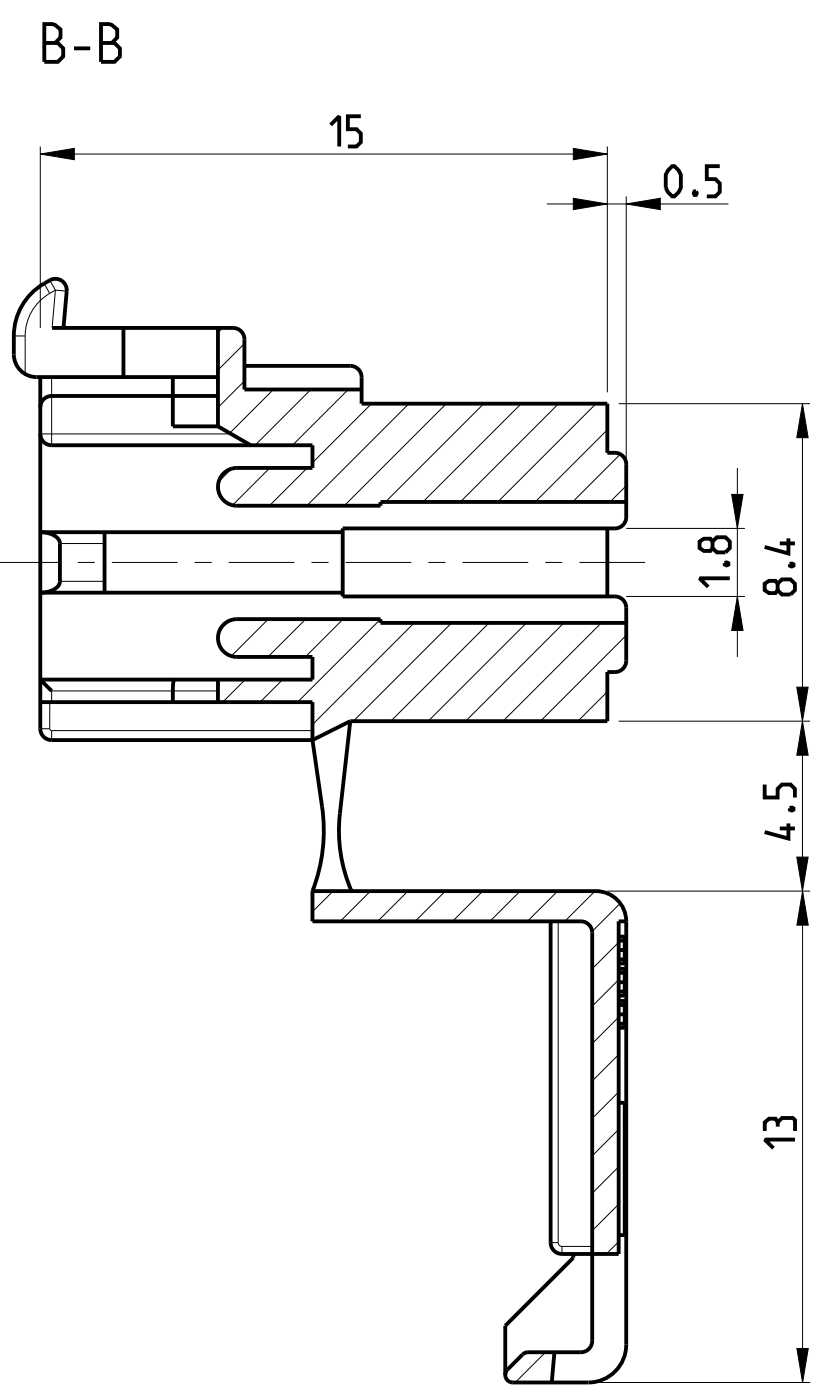
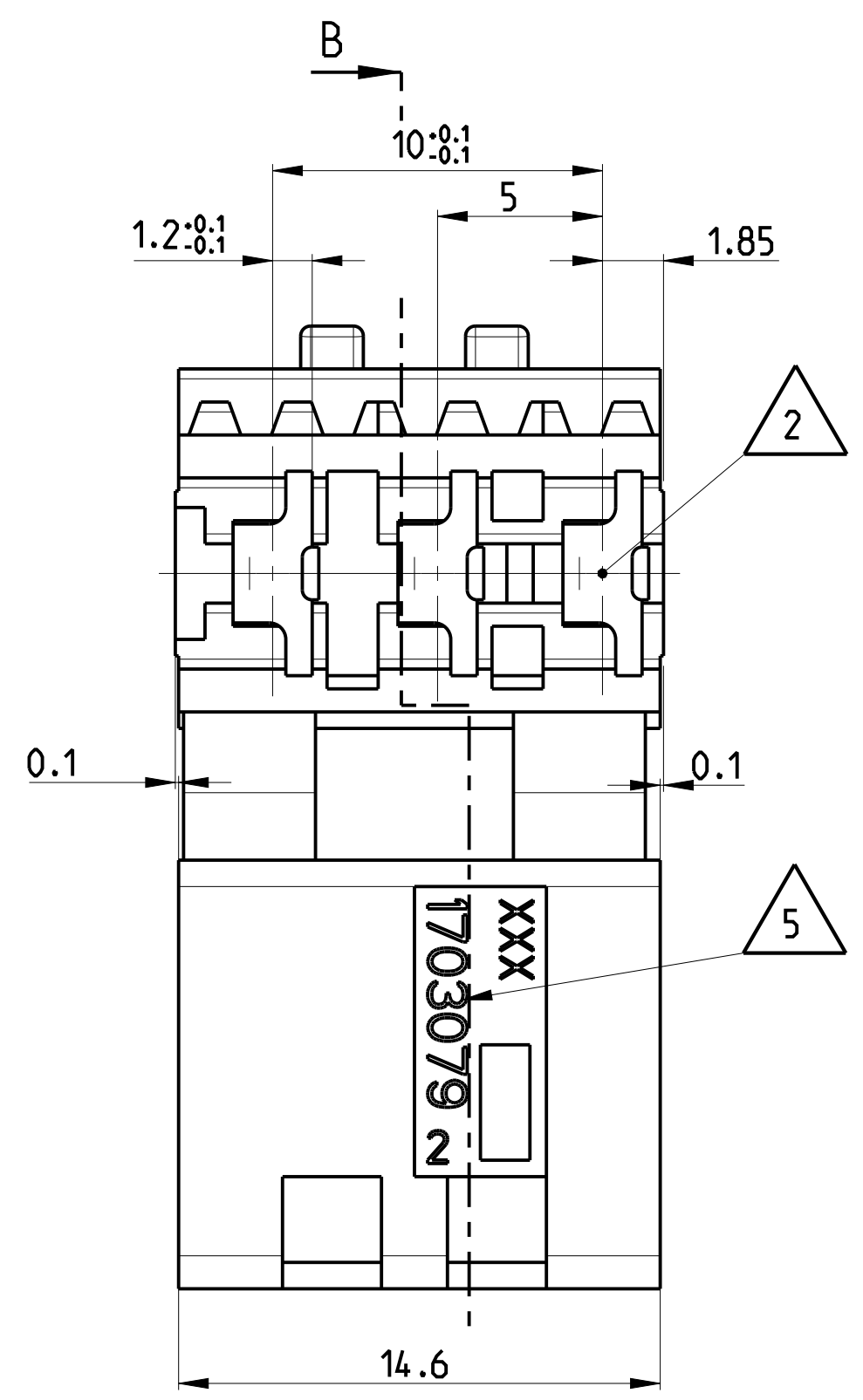


THIS DRAWING IS UNPUBLISHED. RELEASED FOR PUBLICATION 2003
 (C) COPYRIGHT 2003 ALL RIGHTS RESERVED.

LOC	DIST	REVISIONS					
A	I	P	LTR	DESCRIPTION	DATE	DWH	APVD
		B		ECR-12-002845	17APR2012	MKD	RRP
		B1		ECR-14-006224	28APR2014	KD	BW



Bemerkungen
NOTES

- 1 Massgebend ist der deutsche Text
ONLY THE GERMAN-LANGUAGE VERSION SHALL BE BINDING
- 2 Lage des Kontaktpunktes auf der Leiterplatte; Abweichung ±0.4
POSITION OF CONTACT POINT ON BOARD; DEVIATION ±0.4
- 3 Kontaktierung zur Drahtmitte um 0.7mm versetzt
CONTACTING 0.7mm DISPLACED TO WIRE CENTRELINE
- 4 Kontaktkammer-Nr.
CONTACT CAVITY #
- 5 Firmenlogo und Leergehäuse-Nr.
ARTWORK LOGO AND HOUSING # (NON LOADED)
- 6 Ausführung nach DIN 60249-2-4
BOARD DESIGN ACCORDING TO DIN 60249-2-4
- 7 Crimp Kontakt-Nr.:
Material: CuSn4 926770-1, 926917-1
CRIMP CONTACT #:
MATERIAL: CuSn4

1-1703079-1	MT-EDGE HOUSING	NATURE
PART NO.	DESCRIPTION	COLOR

THIS DRAWING IS A CONTROLLED DOCUMENT.		DWH MAHNKE, B. 24SEP2004	TE Connectivity
DIMENSIONS: mm		CHK STREDAK, F. 20DEC2004	
TOLERANCES UNLESS OTHERWISE SPECIFIED:		APVD BLFICHER, M. 21DEC2004	
0 PLC ± 1 PLC ±0.15mm 2 PLC ± 3 PLC ± 4 PLC ± ANGLES ±° FINISH		NAME 3 POS. MT-EDGE HOUSING RAST 5mm	
MATERIAL PA6.6 / UL94V-2		PRODUCT SPEC 108-18003 APPLICATION SPEC 114-18002 WEIGHT 1.491 g CUSTOMER DRAWING	SIZE A2 CAGE CODE C-1703079 DRAWING NO. C-1703079 RESTRICTED TO - SCALE 5:1 SHEET 1 OF 1 REV B1

Mouser Electronics

Authorized Distributor

Click to View Pricing, Inventory, Delivery & Lifecycle Information:

[TE Connectivity:](#)

[1-1703079-1](#)