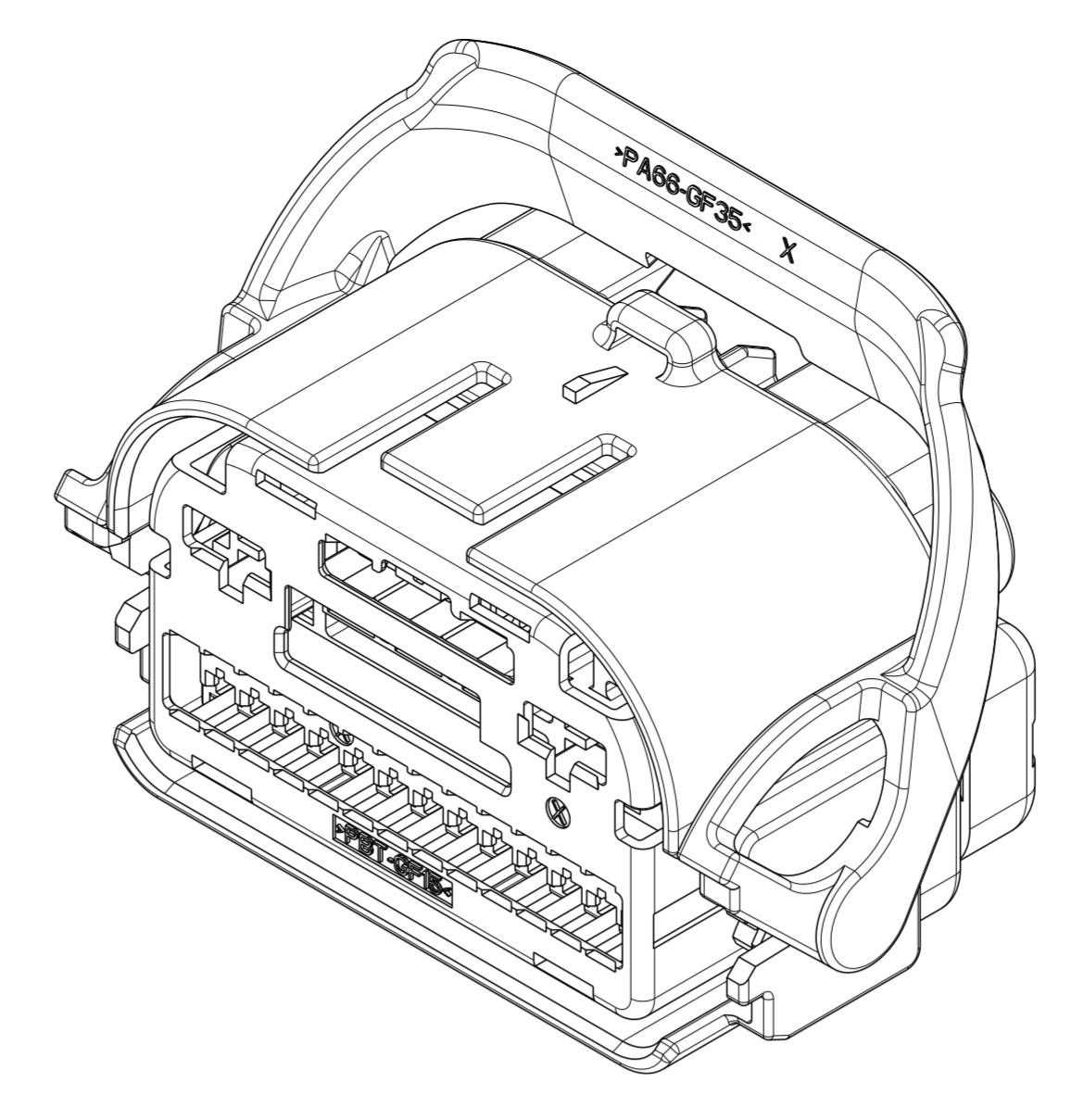


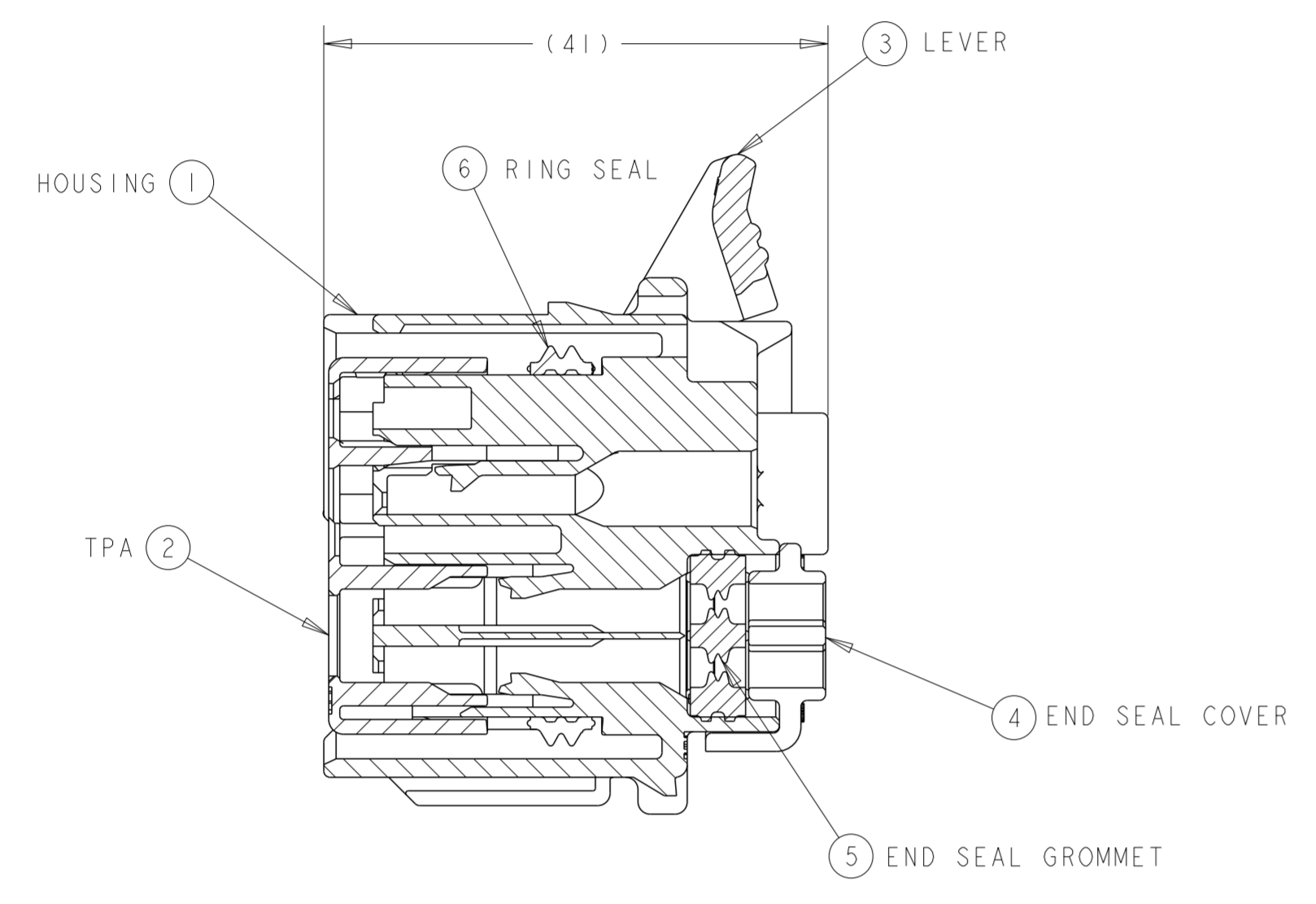
LIST OF PARTS

QTY REQUIRED			ITEM	DESCRIPTION	COLOR	MATERIAL SPECIFICATION	RECYCLING CODE	WEIGHT (GRAM)
INDEX C	INDEX B	INDEX A						
-	-	1	1	HOUSING, KEYING OPTION "A"	BLACK	30% GF PBT	>PBT-GF30<	TBD
-	1	-	1	HOUSING, KEYING OPTION "B"	GRAY	30% GF PBT	>PBT-GF30<	TBD
1	-	-	1	HOUSING, KEYING OPTION "C"	NATURAL	30% GF PBT	>PBT-GF30<	TBD
1	1	1	2	TPA	RED	15% GF PBT	>PBT-GF15<	TBD
1	1	1	3	LEVER	GRAY	33% GF NYLON	>PA66-GF33<	TBD
1	1	1	4	END SEAL COVER	BLACK	15% GF PBT	>PBT-GF15<	TBD
1	1	1	5	END SEAL GROMMET	LT BLUE	SILICON	>VMO<	TBD
1	1	1	6	RING SEAL	BLUE	SILICON	>VMO<	TBD

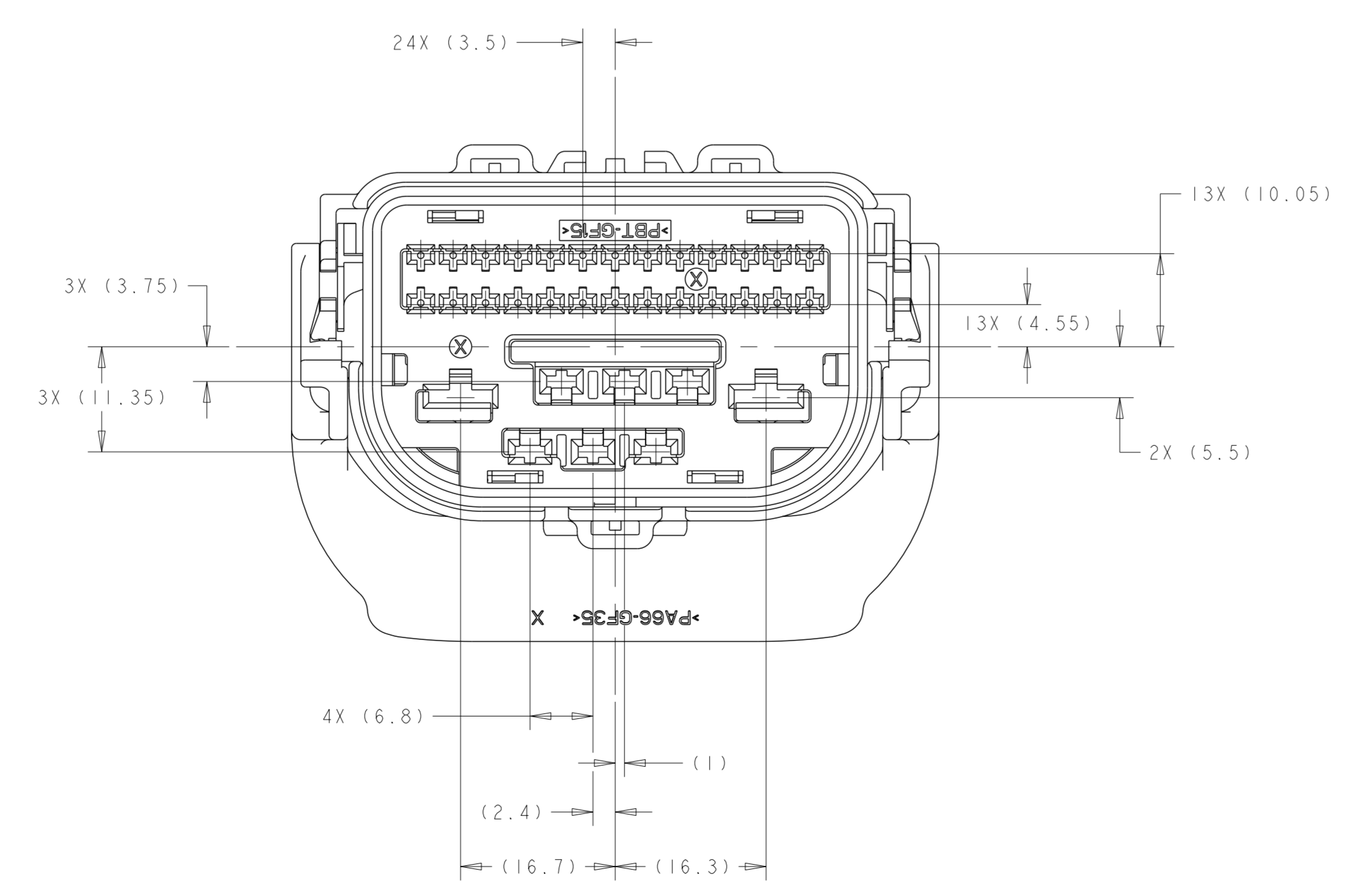
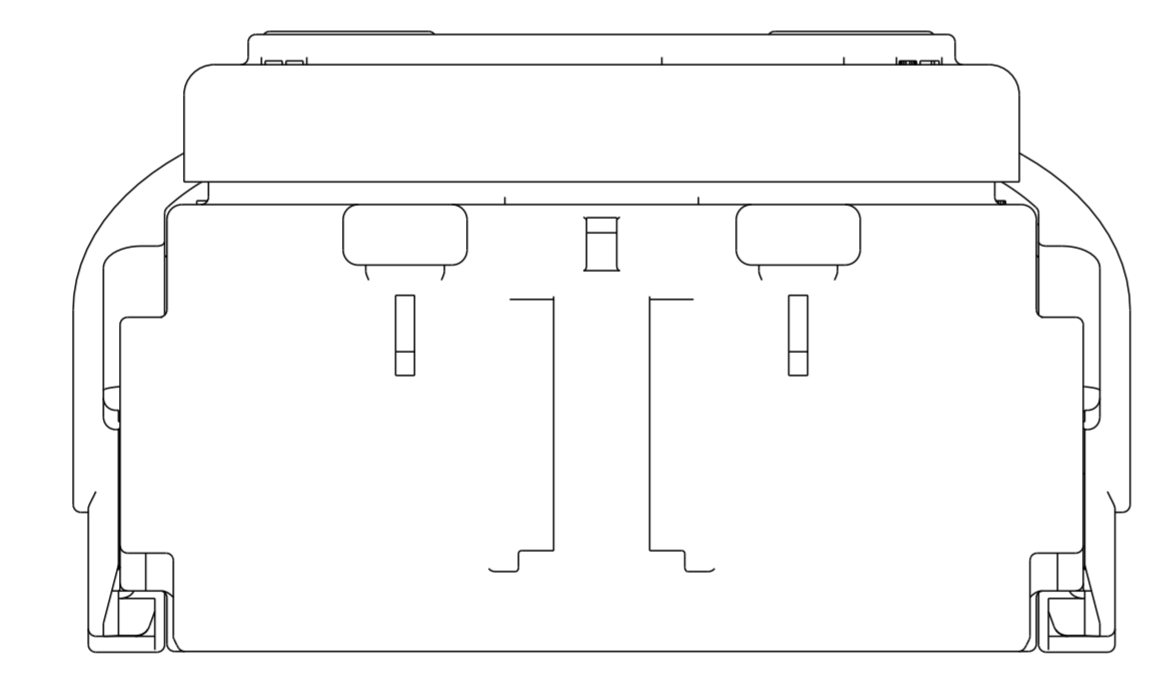
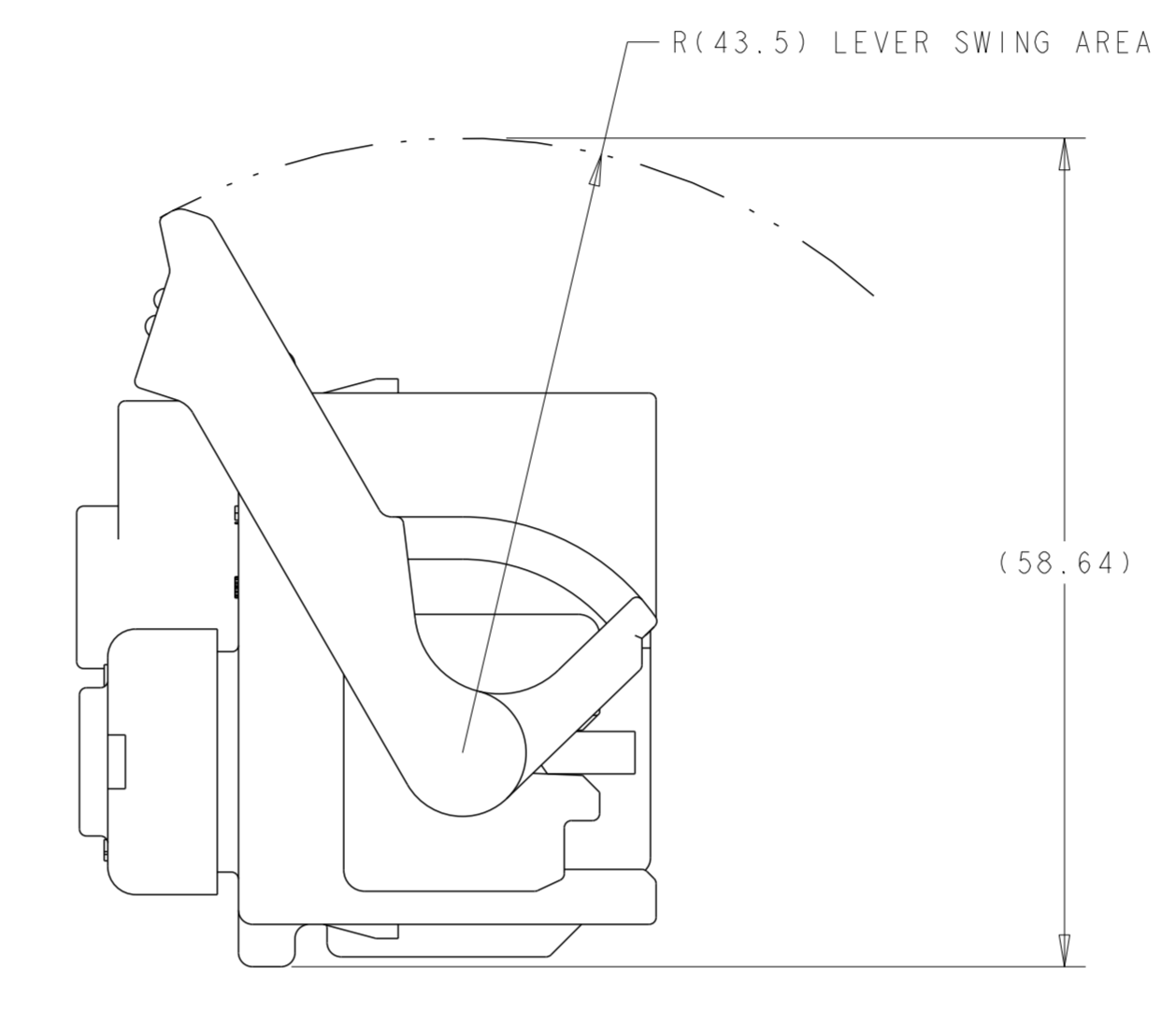
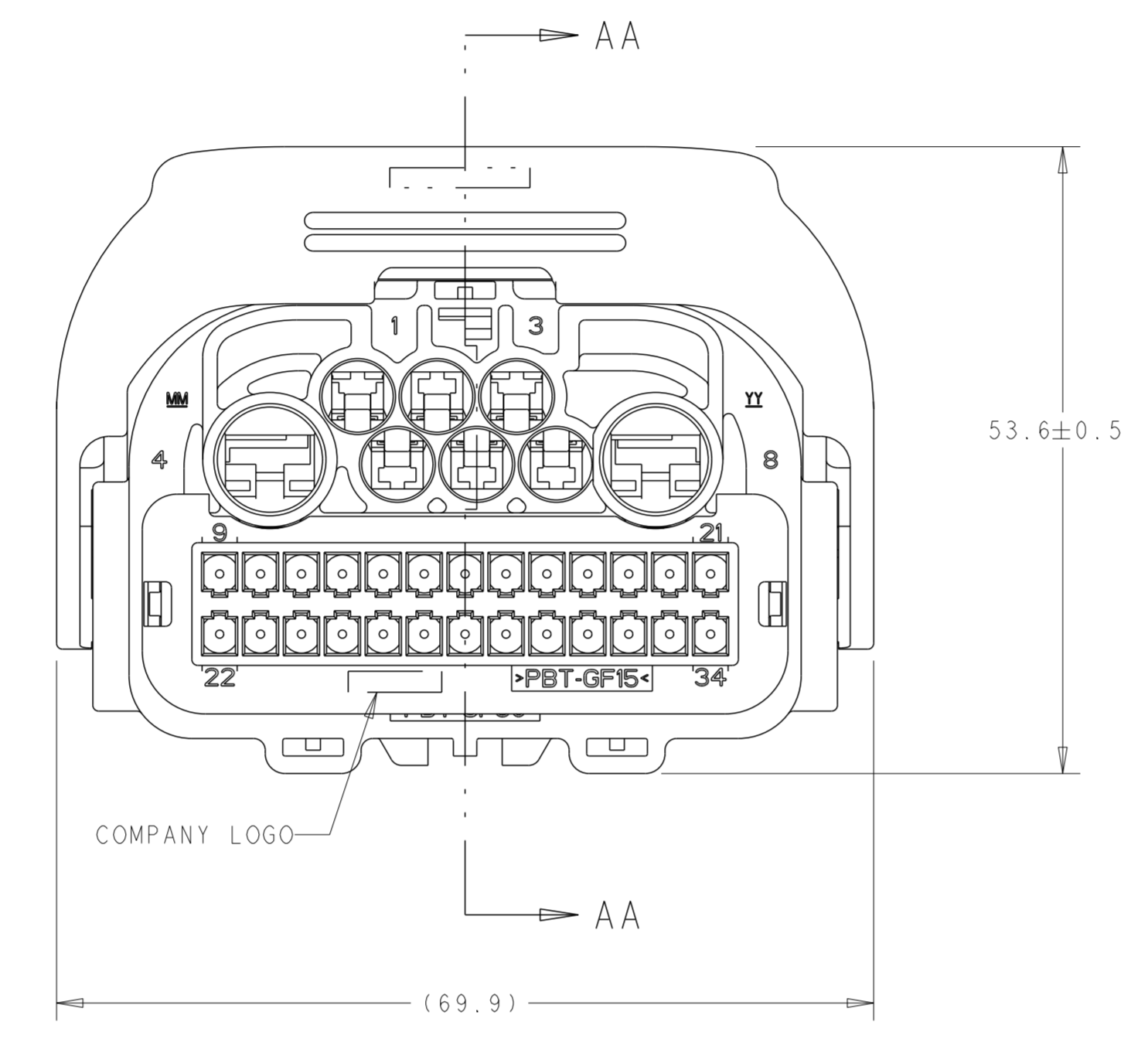
REVISIONS				
REV	DATE	BY	APPD	DESCRIPTION
B19	17JAN2014	DD	GR	REVISED PER ECO-14-009182
B20	20SEP2014	DD	GR	REVISED PER ECO-14-013794
B21	17MAY2015	DD	GR	REVISED PER ECO-15-005865



- PART MUST CONFORM TO THE USCAR-2 SPECIFICATION, DATED 07/DEC/00 (REVISION 3).
 - 0.2mm MAXIMUM RADIUS PERMISSIBLE ON EDGES AND FILLETS SHOWN AS SHARP FOR PLASTIC PARTS.
 - PRODUCTION DATE CODE AND PINOUT ID CODE MUST BE LEGIBLE AND PERMANENTLY APPLIED WHEREVER PACKAGE SIZE PERMITS OR OTHER AGREEMENTS ARE MADE.
 - MATES WITH ASSEMBLY SHOWN ON DRAWING 1438842.
- 5 SEE TE INSTRUCTION SHEET 408-8911 FOR PROPER POSITIONING OF TPA AND TE INSTRUCTION SHEET 408-8832 FOR APPLICATION USE OF CONNECTOR SYSTEM.
- 6 TERMINAL CAVITIES 9-34 ARE RESTRICTED TO WIRE OD RANGE OF 1.20 - 2.34mm.



SECTION AA-AA
TPA AND LEVER SHOWN IN PRE-SEATED POSITION



APPLICABLE COMPONENTS (FOR REFERENCE ONLY)				APPLICABLE WIRE SIZES (FOR REFERENCE ONLY)†	COMPONENT MATING PART NUMBER
DESCRIPTION	COLOR/PLATING	SUPPLIER	SUPPLIER PART NUMBER		
TERMINAL - FEMALE 1.5mm	TIN	MOLEX	33012-2001	16 AWG OR METRIC EQUIVALENT	33000-0002
TERMINAL - FEMALE 1.5mm	TIN	MOLEX	33012-2002	18-20 AWG OR METRIC EQUIVALENT	33000-0002
TERMINAL - FEMALE 1.5mm	TIN	MOLEX	33012-2003	22 AWG OR METRIC EQUIVALENT	33000-0003
TERMINAL - FEMALE 2.8mm	TIN	TE	1326032-2	20 AWG OR METRIC EQUIVALENT	1326031-2
TERMINAL - FEMALE 2.8mm	TIN	TE	1326032-3	18 AWG OR METRIC EQUIVALENT	1326031-3
TERMINAL - FEMALE 2.8mm	TIN	TE	1326032-4	16 AWG OR METRIC EQUIVALENT	1326031-4
TERMINAL - FEMALE 2.8mm	TIN	TE	1326032-5	14 AWG OR METRIC EQUIVALENT	1326031-5
TERMINAL - FEMALE 2.8mm	TIN	TE	1326032-6	12 AWG OR METRIC EQUIVALENT	1-1326031-1
CABLE SEAL - 2.8mm	GREEN	YAZAKI	7158-3111-60	1.2-1.9mm WIRE O.D.	N/A
CABLE SEAL - 2.8mm	YELLOW	YAZAKI	7158-3112-70	1.8-2.3mm WIRE O.D.	N/A
CABLE SEAL - 2.8mm	WHITE	YAZAKI	7158-3113-40	2.1-3.0mm WIRE O.D.	N/A
CABLE SEAL - 2.8mm	LT GRAY	YAZAKI	7158-3110-40	3.1-3.3mm WIRE O.D.	N/A
TERMINAL - FEMALE 6.3mm	TIN	YAZAKI	7116-4140-02	20-16 AWG OR METRIC EQUIVALENT	7114-4140-02
TERMINAL - FEMALE 6.3mm	TIN	YAZAKI	7116-4141-02	14 AWG OR METRIC EQUIVALENT	7114-4141-02
TERMINAL - FEMALE 6.3mm	TIN	YAZAKI	7116-4142-02	12 AWG OR METRIC EQUIVALENT	7114-4142-02
TERMINAL - FEMALE 6.3mm	TIN	YAZAKI	7116-4143-02	10 AWG OR METRIC EQUIVALENT	7114-4143-02
CABLE SEAL - 6.3mm	RED	YAZAKI	7158-3081-50	1.4-2.3mm WIRE O.D.	N/A
CABLE SEAL - 6.3mm	BLUE	YAZAKI	7158-3082-90	2.1-3.0mm WIRE O.D.	N/A
CABLE SEAL - 6.3mm	BLACK	YAZAKI	7158-3083	3.0-3.8mm WIRE O.D.	N/A
CABLE SEAL - 6.3mm	LT GRAY	YAZAKI	7158-3084-40	3.8-4.05mm WIRE O.D.	N/A
ANTI-ROTATION CLIP	NATURAL	TRW	PC47597-1	N/A	N/A
SINGLE TREE CLIP	NATURAL	TRW	PC47688-1	N/A	N/A
CAVITY PLUG - 2.8mm	BLUE	YAZAKI	7158-3114-90	N/A	N/A
CAVITY PLUG - 6.3mm	GREEN	YAZAKI	7158-3080-60	N/A	N/A

NOTE: SEE SUPPLIER DRAWINGS FOR LATEST INFORMATION AND CRIMP SPECIFICATIONS.

THIS DRAWING IS A CONTROLLED DOCUMENT. DIMENSIONS IN MILLIMETERS UNLESS OTHERWISE SPECIFIED.

STC DRUMMOND
TE CONNECTIVITY
34 WAY, SEALED, INLINE HYBRID, FEMALE

SCALE: 2:1 SHEET 1 OF 3

REVISIONS			
REV	DATE	BY	APPD
-	-	-	-
-	-	-	-

TE P/N	PINOUT ID CODE	INDEX (KEY)	COLOR	1	2	3	4	5	6	7	8	9	10	11	12	13	14	15	16	17	18	19	20	21	22	23	24	25	26	27	28	29	30	31	32	33	34	
5-2203654-3	AFT	A	BLACK																																			
5-2203654-2	AFS	B	GRAY										9	10	11		14		16	17				20	21		24	25					30	31		33		
5-2203654-1	AFR	B	GRAY										9	10	11		14		16	17	18			20	21		24	25					30	31		33		
5-2203654-0	AFO	B	GRAY																																			
4-2203654-9	AFP	A	BLACK																																			
4-2203654-8	AFO	A	BLACK																																			
4-2203654-7	AFN	A	BLACK																																			
4-2203654-6	AFM	A	BLACK																																			
4-2203654-5	AFL	A	BLACK										9																									
4-2203654-4	AFK	A	BLACK																																			
4-2203654-3	AFJ	A	BLACK																																			
4-2203654-2	AFI	A	BLACK																																			
4-2203654-1	AFH	A	BLACK																																			
4-2203654-0	AFG	A	BLACK																																			
3-2203654-9	AFF	A	BLACK																																			
3-2203654-8	AFE	A	BLACK																																			
3-2203654-7	AFD	A	BLACK																																			
3-2203654-6	AFC	A	BLACK																																			
3-2203654-5	AFB	A	BLACK																																			
3-2203654-4	AFA	A	BLACK																																			
3-2203654-3	AEZ	A	BLACK																																			
3-2203654-2	AEY	A	BLACK																																			
3-2203654-1	AEX	A	BLACK																																			
3-2203654-0	AEW	A	BLACK																																			
2-2203654-9	AEV	A	BLACK																																			
2-2203654-8	AEU	B	GRAY										9	10	11		14		16	17	18					24	25	26	27	28	29	30	31		33			
2-2203654-7	AET	B	GRAY										9	10	11		14		16	17	18					24	25	26	27	28	29	30	31		33			
2-2203654-6	AES	B	GRAY																																			
2-2203654-5	AER	B	GRAY																																			
2-2203654-4	AEO	A	BLACK																																			
2-2203654-3	AEP	A	BLACK																																			
2-2203654-2	AEO	A	BLACK																																			
2-2203654-1	AEN	A	BLACK																																			
2-2203654-0	AEM	A	BLACK																																			
1-2203654-9	AEL	A	BLACK																																			
1-2203654-8	AEK	A	BLACK																																			
1-2203654-7	AEJ	A	BLACK																																			
1-2203654-6	AEI	B	GRAY																																			
1-2203654-5	AEH	A	BLACK																																			
1-2203654-4	AEG	A	BLACK																																			
1-2203654-3	AEF	B	GRAY																																			
1-2203654-2	AEE	B	GRAY																																			
1-2203654-1	AED	B	GRAY																																			
1-2203654-0	AEC	B	GRAY																																			
2203654-9	AEB	A	BLACK																																			
2203654-8	AEA	A	BLACK										10	11	12																							
2203654-7	ADZ	A	BLACK										10	11	12		15																					
2203654-6	ADY	A	BLACK										10	11	12		15																					
2203654-5	ADX	A	BLACK																																			
2203654-4	ADW	A	BLACK																																			
2203654-3	ADV	A	BLACK																																			
2203654-2	ADU	A	BLACK																																			
2203654-1	ADT	A	BLACK																																			
9-1438841-9	ADS	A	BLACK																																			
9-1438841-8	ADR	A	BLACK																																			
9-1438841-7	ADO	A	BLACK																																			
9-1438841-6	ADP	A	BLACK																																			
9-1438841-5	ADO	A	BLACK																																			
9-1438841-4	ADN	A	BLACK																																			
9-1438841-3	ADM	A	BLACK																																			
9-1438841-2	ADL	A	BLACK																																			
9-1438841-1	ADK	A	BLACK																																			
9-1438841-0	ADJ	B	GRAY																																			
8-1438841-9	ADI	B	GRAY																																			
8-1438841-8	ADH	B	GRAY																																			
8-1438841-7	ADG	A	BLACK																																			