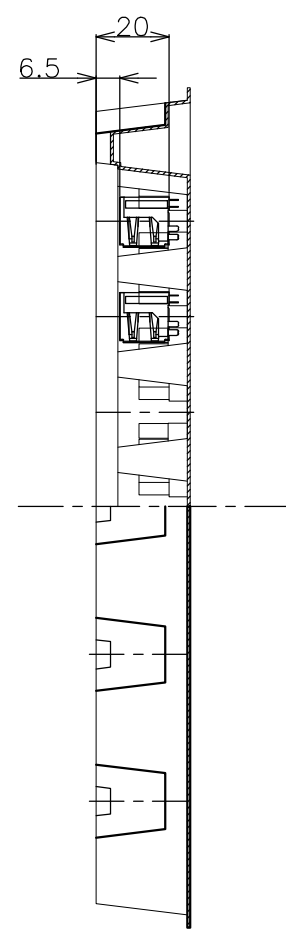
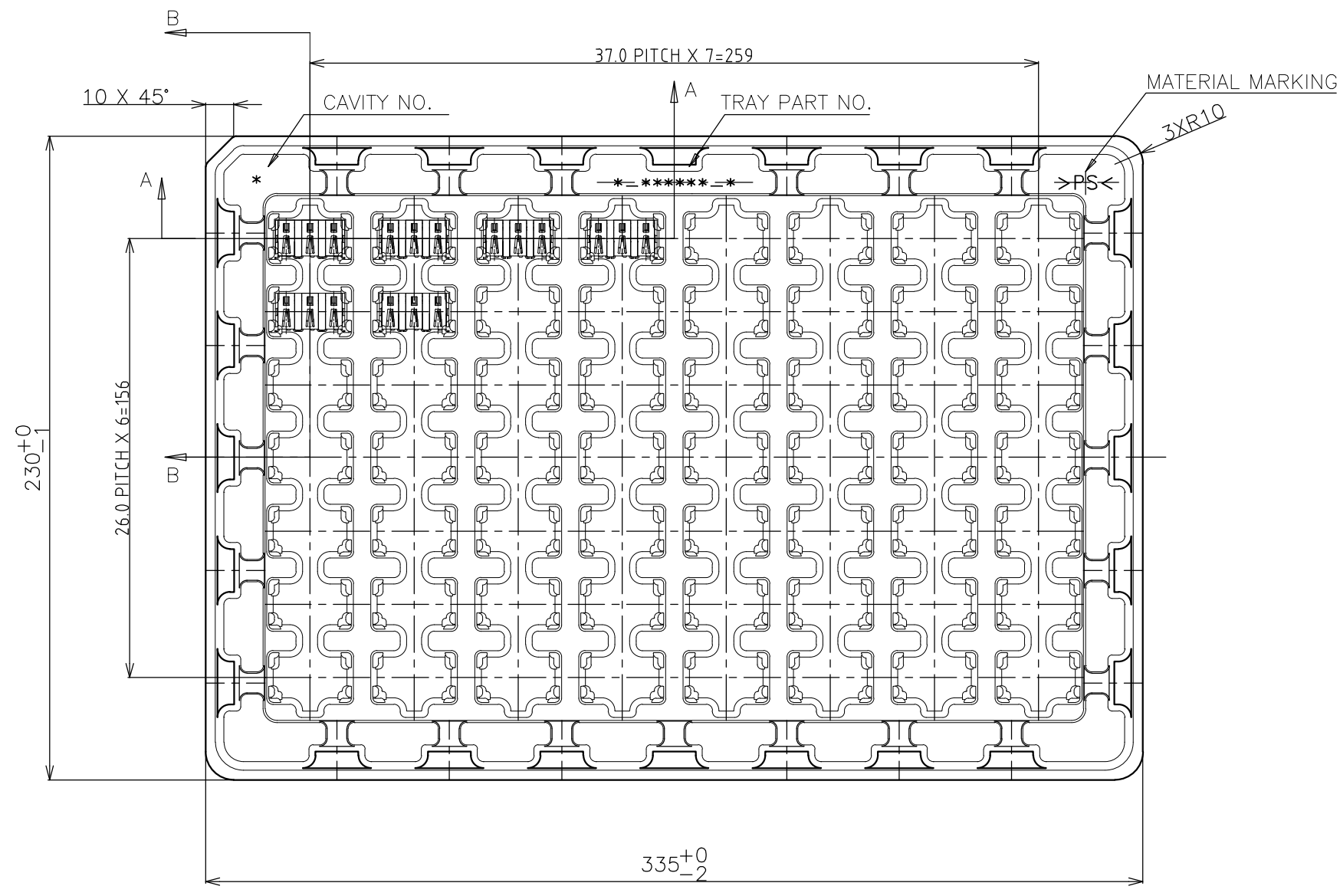
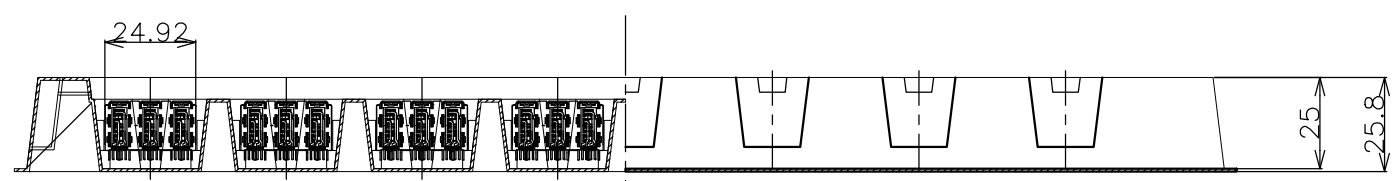


THIS DRAWING IS UNPUBLISHED. RELEASED FOR PUBLICATION
 © COPYRIGHT 2001 BY TYCO ELECTRONICS CORPORATION. ALL RIGHTS RESERVED.

LOC	DIST	REVISIONS					
J	—	P	LTR	DESCRIPTION	DATE	DWN	APVD
		P		REVISED PER ECR-15-016523	16NOV2015	T.Z	H.W



SECTION B-B



SECTION A-A

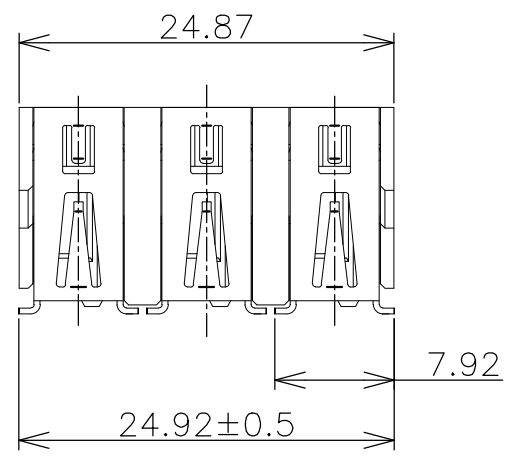
(P)	OBSOLETE		1674455-3
		FINISH	PART NO.

THIS DRAWING IS A CONTROLLED DOCUMENT.		DWN	WENKE HE	11OCT05	tyco Electronics	Tyco Electronics AMP K.K.				
		CHK	GAVIN ZHANG	11OCT05		Kawasaki, Japan				
		APVD	STEVEN YAO	11OCT05		NAME				
DIMENSIONS: MM		TOLERANCES UNLESS OTHERWISE SPECIFIED:		PRODUCT SPEC		HARD TRAY ASS'Y USB CONNECTOR RECEPTACLE TYPE				
		0 PLC	± 0.3	APPLICATION SPEC		SIZE	CAGE CODE	DRAWING NO	RESTRICTED TO	
		1 PLC	± 0.3	WEIGHT		A3	00779	C-1674455		
		2 PLC	± 0.3	CUSTOMER DRAWING		SCALE		SHEET	OF	REV
		3 PLC	± 0.3			1:1		1	3	P
		4 PLC	± 0.3							
MATERIAL		FINISH								

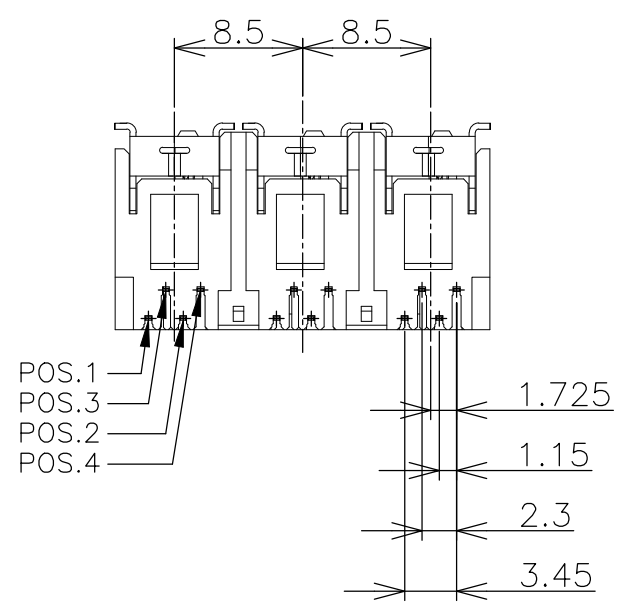
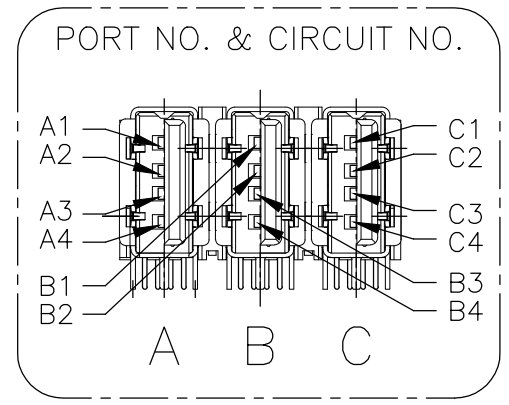
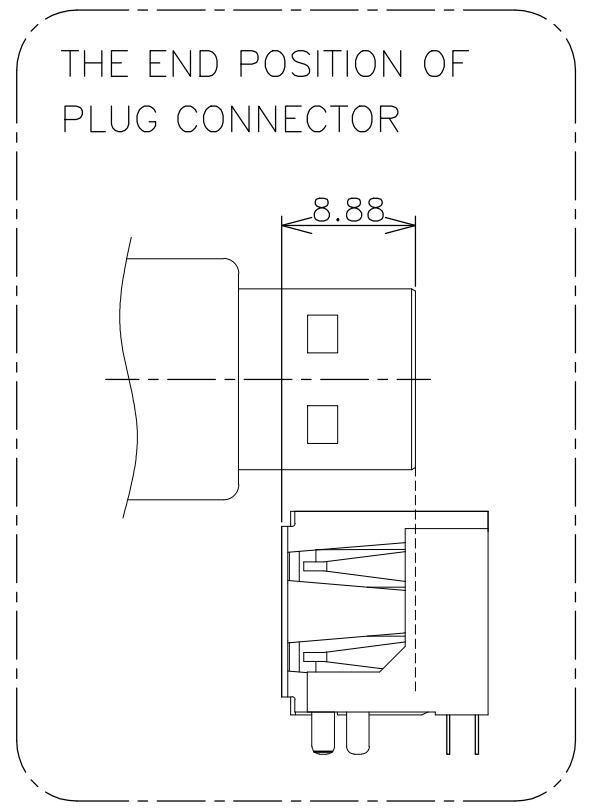
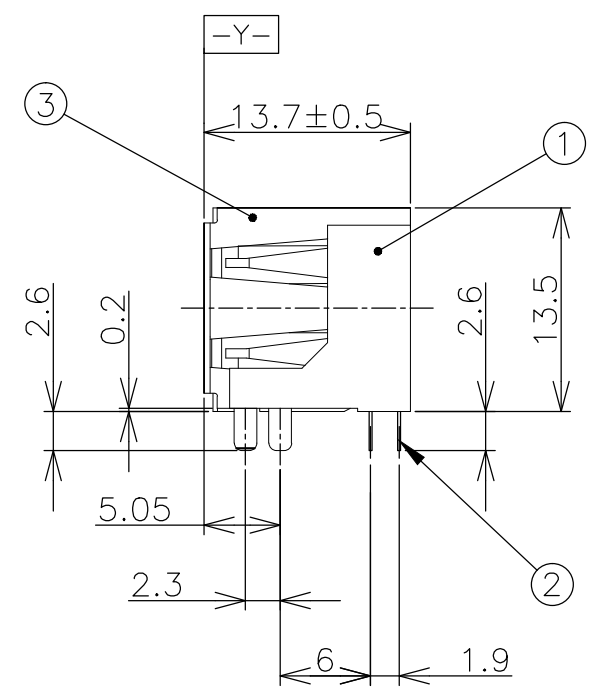
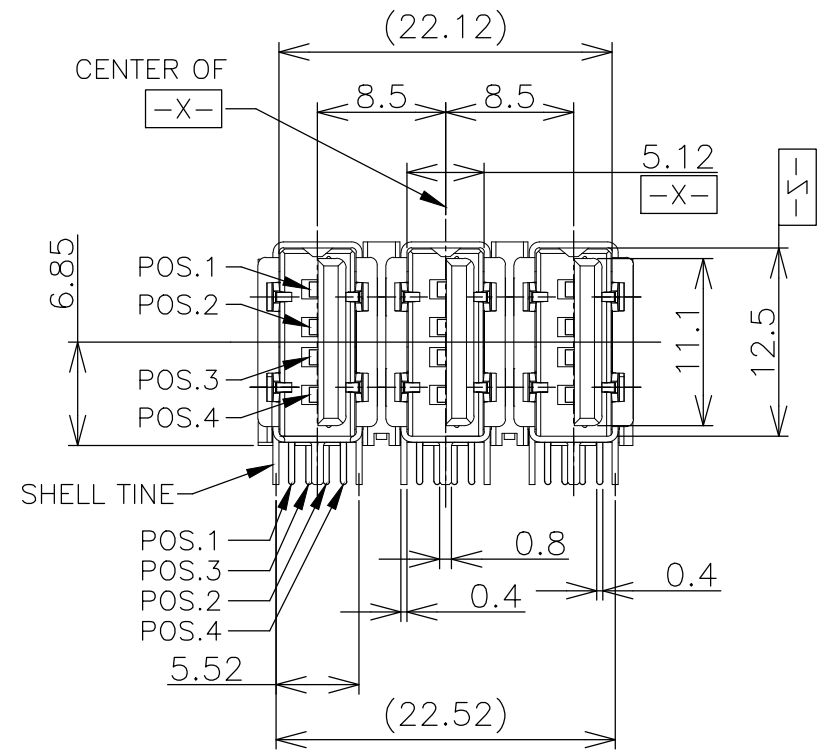
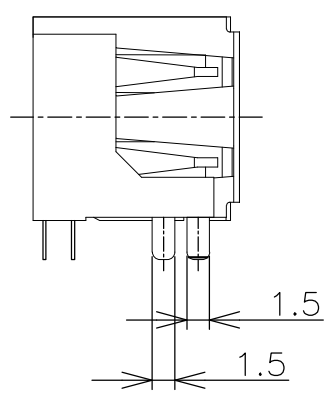
THIS DRAWING IS UNPUBLISHED. RELEASED FOR PUBLICATION
 © COPYRIGHT 2001 BY TYCO ELECTRONICS CORPORATION. ALL RIGHTS RESERVED.

LOC	DIST	REVISIONS					
		P	LTR	DESCRIPTION	DATE	DWN	APVD
J	-	-	-	SEE SHEET 1	-	-	-

FRONT SHELL	③
CONTACT	②
HOUSING	①
NAME	ITEM No.



- ① MATERIAL
 HOUSING: THERMO-PLASTICS UL94V-0 BLACK
 CONTACT: COPPER ALLOY
 FRONT SHELL: COPPER ALLOY
- ② FINISH
 CONTACT: NICKEL UNDER PLATE ALL OVER.
 CONTACT AREA: GOLD PLATE
 TINE AREA: TINE PLATING
 FRONT SHELL: TIN PLATE



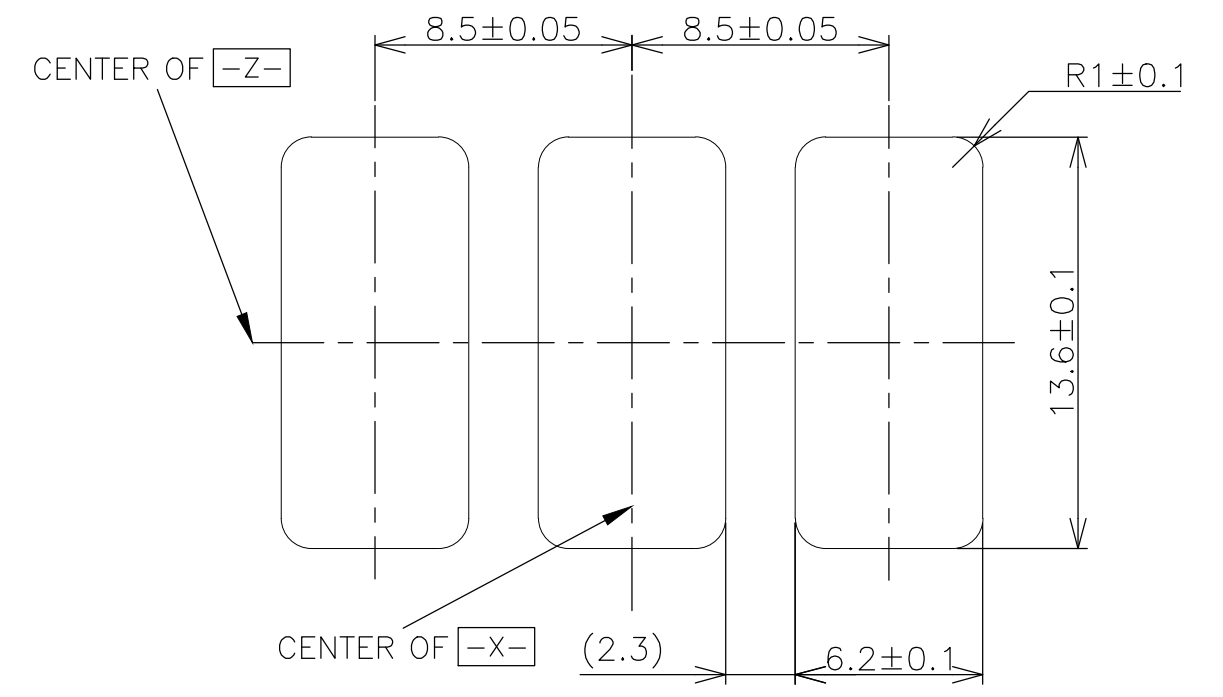
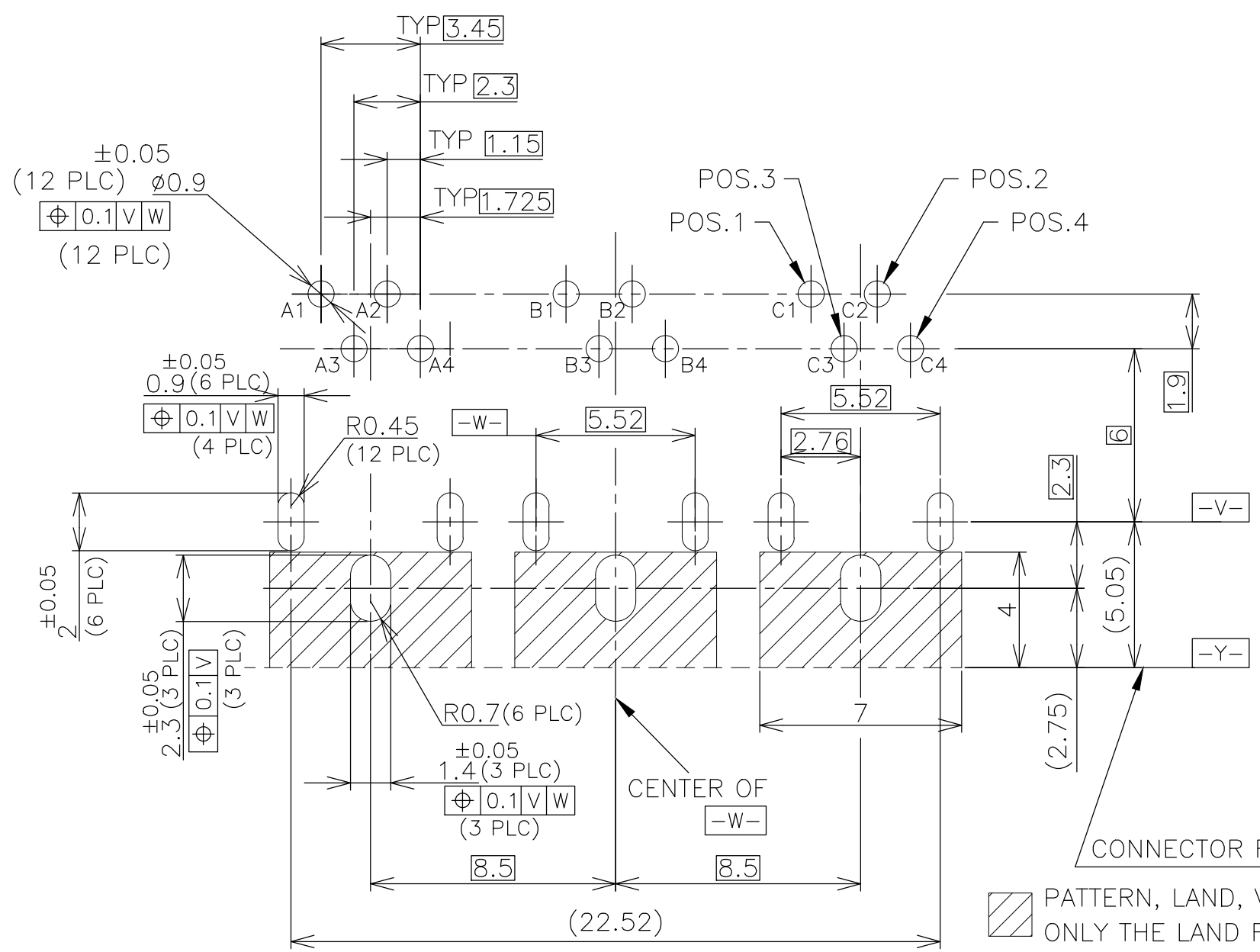
OBSOLETE 1674455-3 : AS SHOWN

THIS DRAWING IS A CONTROLLED DOCUMENT.		DWN		Tyco Electronics AMP K.K.	
DIMENSIONS: MM		CHK		Kawasaki, Japan	
TOLERANCES UNLESS OTHERWISE SPECIFIED:		APVD		NAME	
0 PLC ± 0.3		PRODUCT SPEC		HARD TRAY ASS'Y	
1 PLC ± 0.3		APPLICATION SPEC		USB CONNECTOR	
2 PLC ± 0.3		WEIGHT		RECEPTACLE TYPE	
3 PLC ± 0.3		SIZE		RESTRICTED TO	
4 PLC ± 0.3		CAGE CODE		A3 00779	
ANGLES ± 3'		DRAWING NO		C-1674455	
MATERIAL		FINISH		SCALE 5:1	
		CUSTOMER DRAWING		SHEET 2 OF 3	
				REV P	

THIS DRAWING IS UNPUBLISHED. RELEASED FOR PUBLICATION
 © COPYRIGHT 2001 BY TYCO ELECTRONICS CORPORATION. ALL RIGHTS RESERVED.

LOC	DIST	REVISIONS			
P	LTR	DESCRIPTION	DATE	DWN	APVD
J	/	SEE SHEET 1	-	-	-

APPLICATION PRODUCT: 1674455-3



*THIS DIMENSIONS ARE NOT CONSIDERATION PANEL TOLERANCE AND PANEL ASSEMBLY TOLERANCE.

RECOMMENDED PANEL DIMENSION

CONNECTOR FRONT SURFACE
 [Hatched Box] PATTERN, LAND, VIA HOLE, MOUNT, PROHIBITION AREA.
 ONLY THE LAND FOR SOLDERING OF FRONT SHELL IS OK.

RECOMMENDED LAYOUT OF P.C.B
 (CONNECTOR MOUNTING SIDE)
 RECOMMENDED THICKNESS: 1.0~1.6mm

THIS DRAWING IS A CONTROLLED DOCUMENT.		DWN		Tyco Electronics AMP K.K. Kawasaki, Japan	
DIMENSIONS: MM		CHK		NAME	
TOLERANCES UNLESS OTHERWISE SPECIFIED: 0 PLC ± 0.3 1 PLC ± 0.3 2 PLC ± 0.3 3 PLC ± 0.3 4 PLC ± 0.3 ANGLES ± 3°		APVD		HARD TRAY ASS'Y USB CONNECTOR RECEPTACLE TYPE	
MATERIAL		PRODUCT SPEC		SIZE	CAGE CODE
FINISH		APPLICATION SPEC		DRAWING NO	RESTRICTED TO
		WEIGHT		A3	00779
		CUSTOMER DRAWING		C-1674455	
		SCALE 5:1		SHEET 3 OF 3	
				REV P	