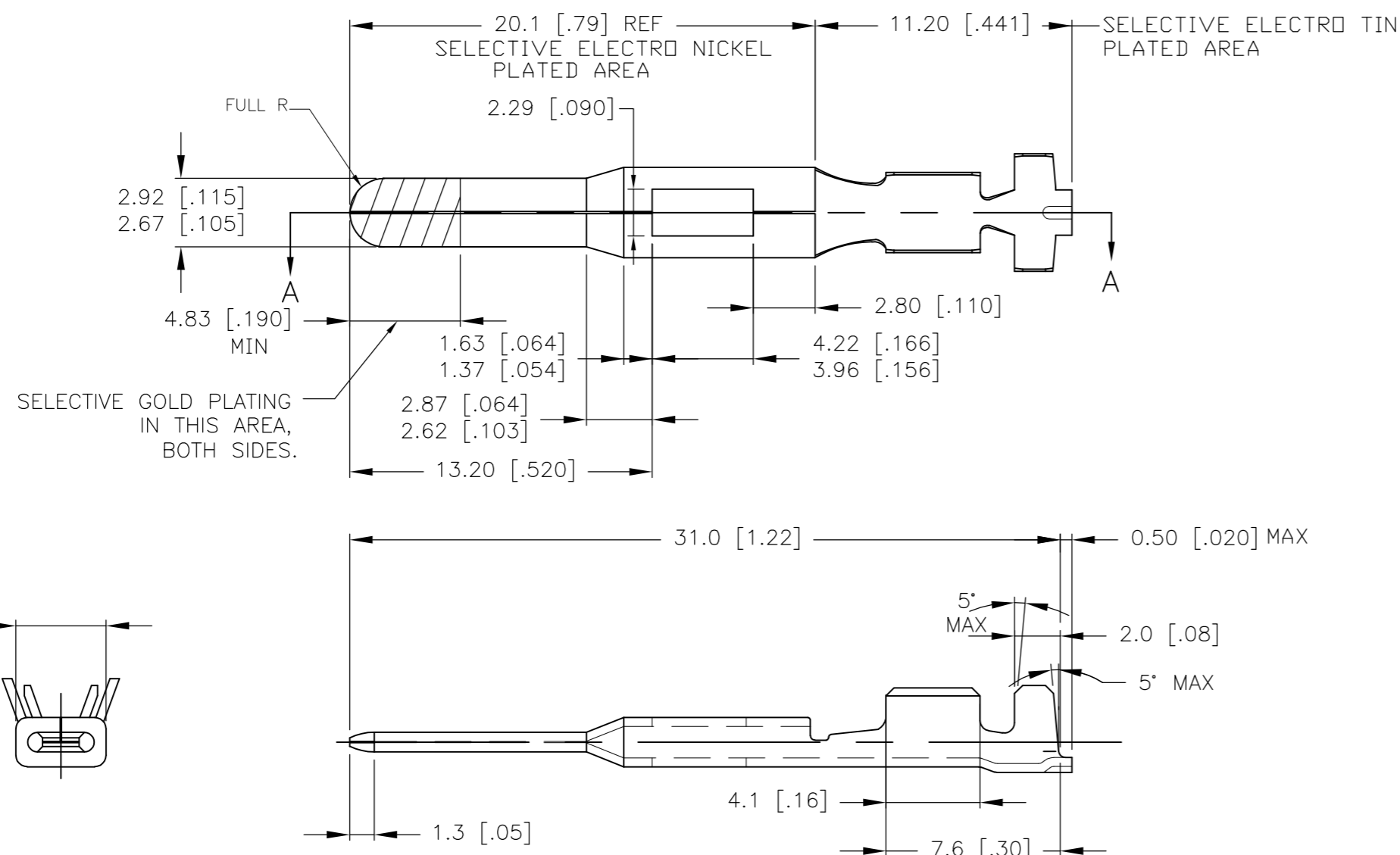
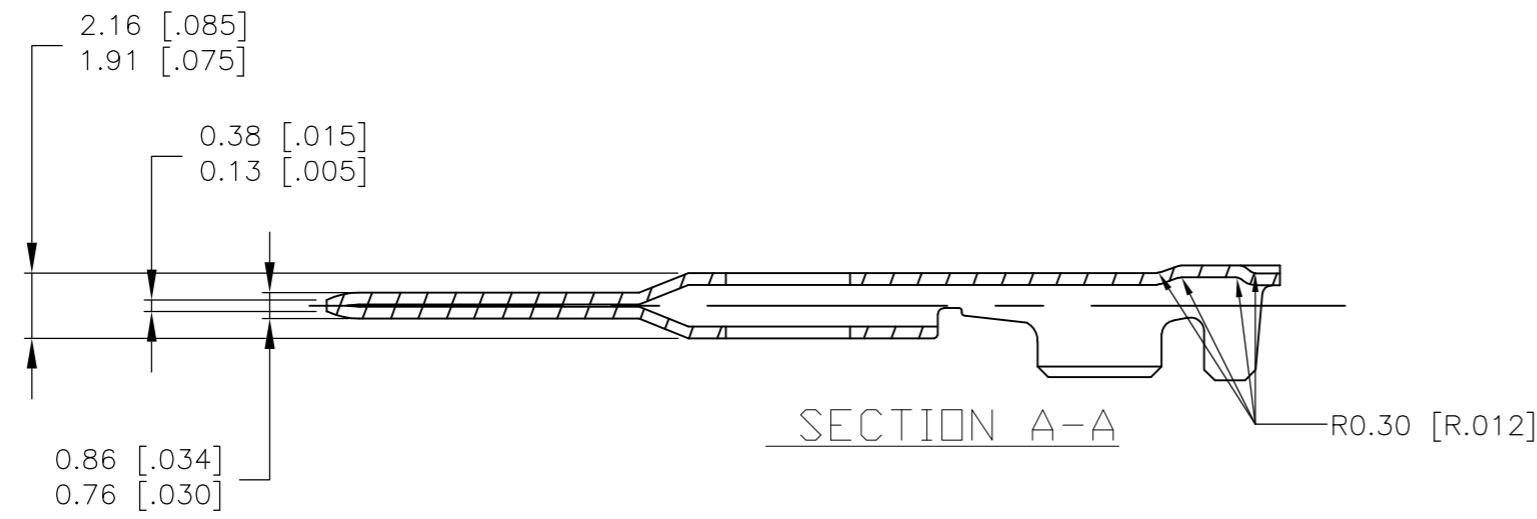


THIS DRAWING IS UNPUBLISHED. RELEASED FOR PUBLICATION
 © COPYRIGHT - By - ALL RIGHTS RESERVED.

LOC	DIST	REVISIONS			
P	LTR	DESCRIPTION	DATE	DWN	APVD
FX	00	B	REVISED PER ECO-15-003754	12MAR2015	DD WW



MATERIAL:
 CA194 BRASS, FULL HARD, .419/.393 [.0165/.0155] THK., 6-703682-0
 STOCK THICKNESS .016

1438234-9	-	-	19	TIN
1438234-6	-	-	13.1	TIN
1438234-4	-	-	14	TIN
1438234-3	1-1438234-1	-	18	TIN
1438234-2	1438234-8	2-1438234-2	18	GOLD
1438234-1	1-1438234-2	-	22	TIN
TE P/N	TE P/N REWOUND	TE P/N PLAIN STAMPED	GRIP CODE	PLATING

THIS DRAWING IS A CONTROLLED DOCUMENT.		DWN JR BUSSARD 09 MAY 2003		
DIMENSIONS: mm		CHK DM REVAK 09 MAY 2003		
TOLERANCES UNLESS OTHERWISE SPECIFIED:		APVD DM REVAK 09 MAY 2003	NAME TERMINAL - MINI BLADE TYPE (MALE .110)	
		PRODUCT SPEC	SIZE A2	
0 PLC ± - 1 PLC ± - 2 PLC ± 0.25 3 PLC ± - 4 PLC ± - ANGLES ± 1°		APPLICATION SPEC	CAGE CODE 00779	DRAWING NO 1438234
MATERIAL -		WEIGHT -	SCALE 4:1	SHEET 1 OF 1
CUSTOMER DRAWING			RESTRICTED TO -	REV B