

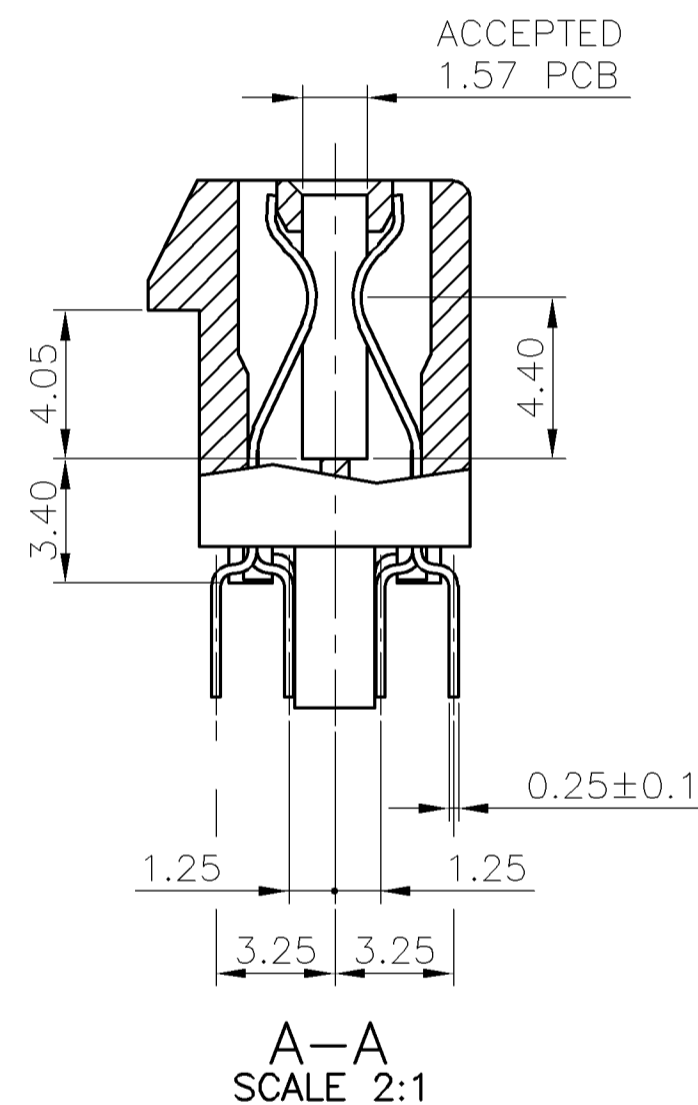
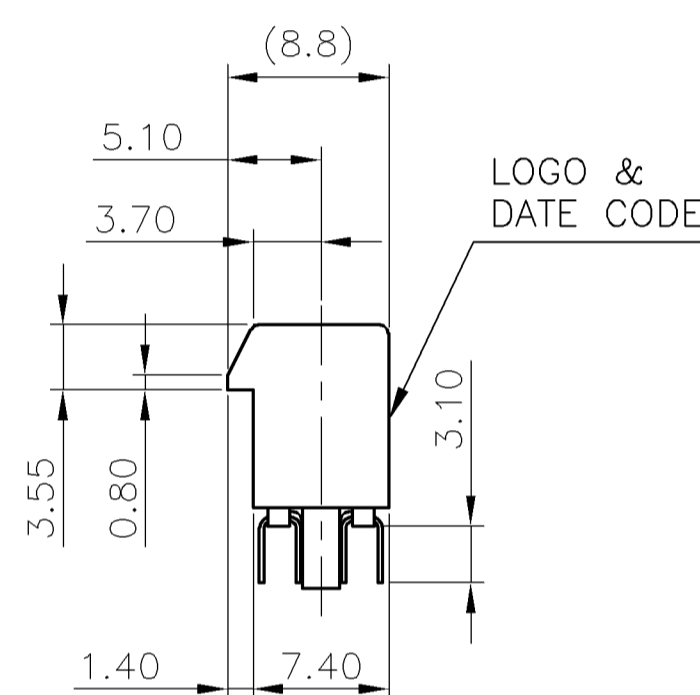
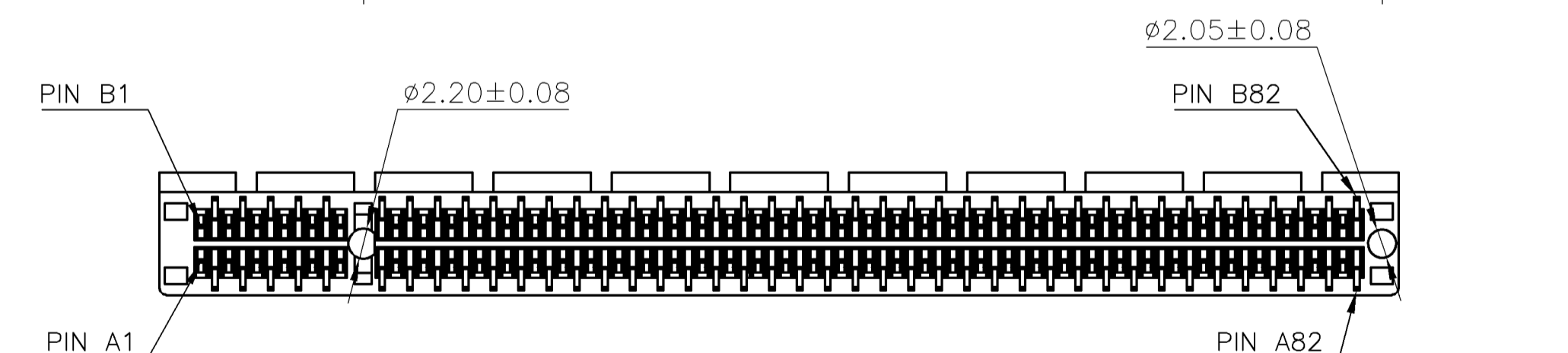
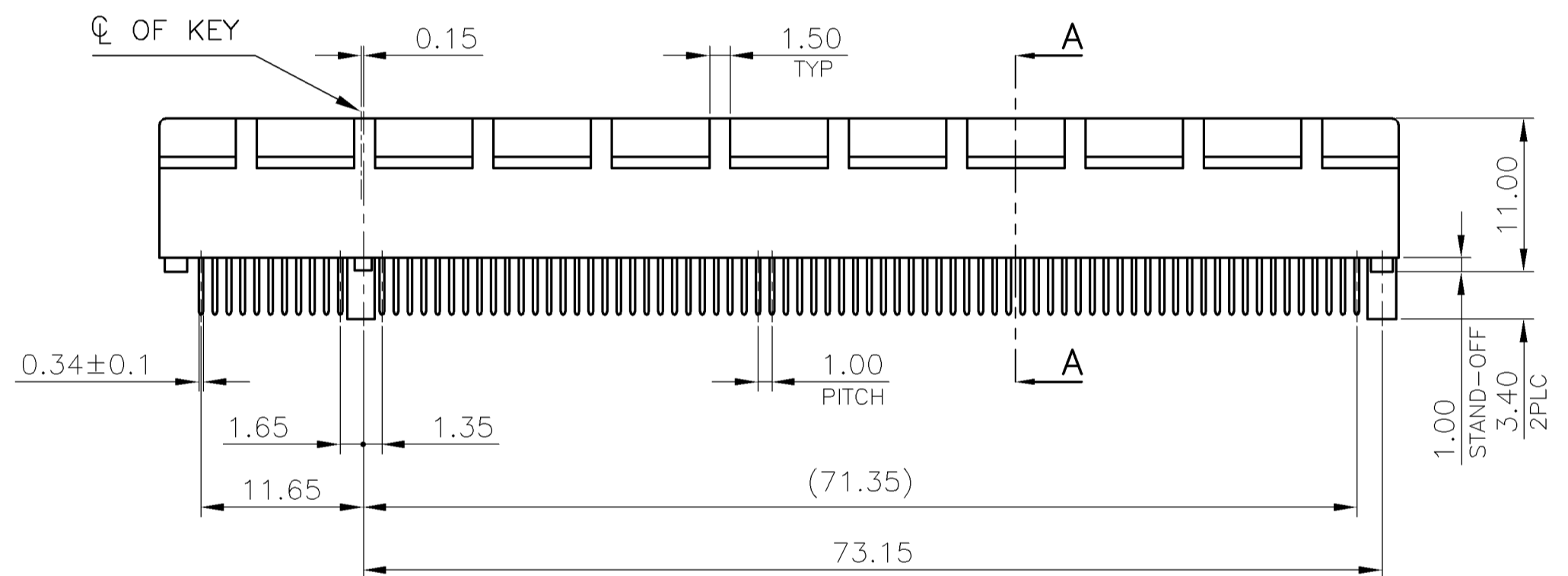
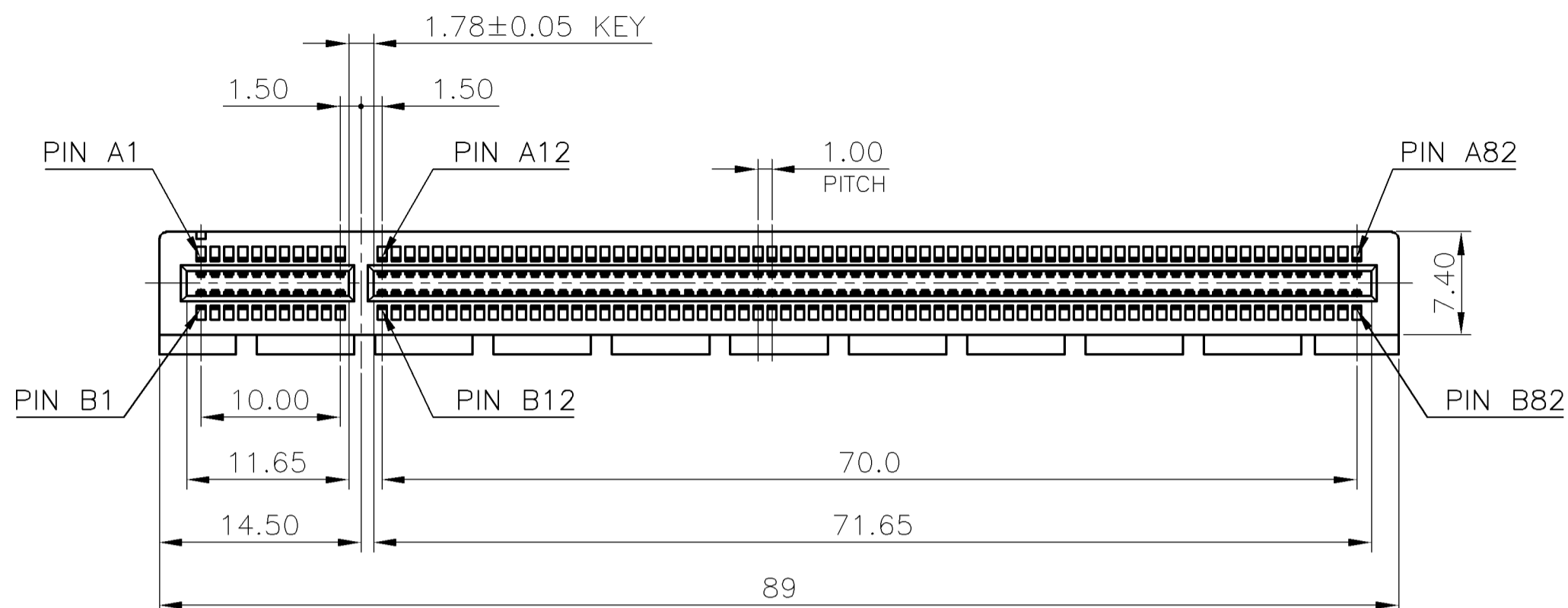
THIS DRAWING IS UNPUBLISHED. RELEASED FOR PUBLICATION AUG ,2006.

© COPYRIGHT BY TYCO ELECTRONICS CORPORATION. ALL RIGHTS RESERVED.

LOC	DIST	REVISIONS				
P	LTR	DESCRIPTION	DATE	DWN	APVD	
		A1	REVISED (ECR-11-008810) CORRECT NOTE 3 & CHANGE PRODUCT SPEC TO 108-57871	27APR'11	E.L.	W.K.

NOTES:

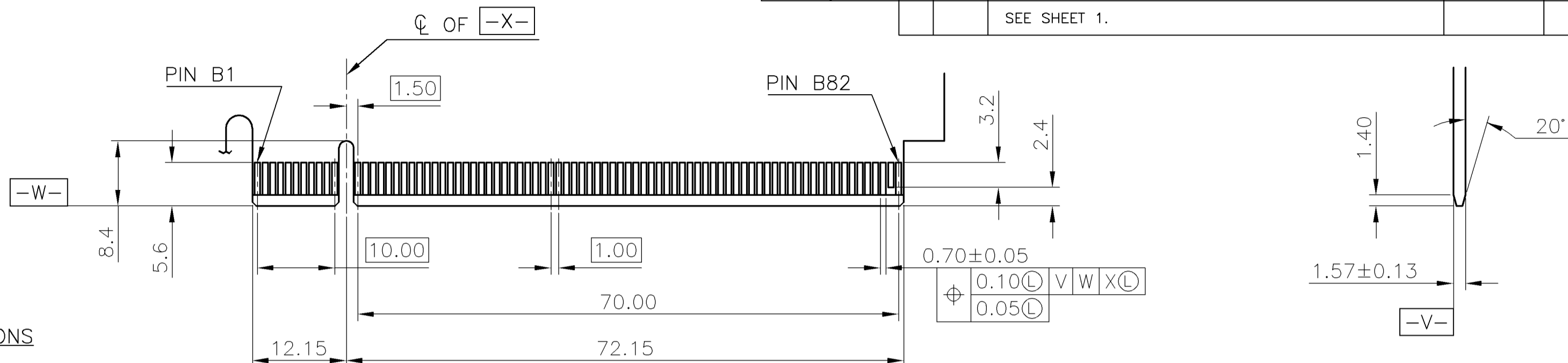
- MATERIAL:
  - HOUSING: PA46 WITH 40% G.F, UL94 V-0, COLOR: NATURAL.
  - CONTACT: PHOSPHOR BRONZE.
- FINISH:
  - CONTACT: 0.381um [15u"] MIN. GOLD PLATING ON CONTACT AREA.
  - 2.54um [100u"] MIN. MATTE-TIN PALTING ON SOLDER TAIL AREA.
  - 1.27um [50u"] MIN. NICKEL UNDERPLATING OVERALL.
- WAVE SOLDER CAPABLE TO 265°C PER TEST SPEC. 109-202 CONDITION B.
- WEIGHT: 8.30 GRAMS



8.40	164	1759921-4
WEIGHT (g)	POS	PART NUMBER

THIS DRAWING IS A CONTROLLED DOCUMENT.		DWN B. HSING 08MAY2009	TE Connectivity PCI EXPRESS CARD EDGE CONNECTOR VERTICAL, DIP TYPE, 3GIO				
DIMENSIONS: MM		CHK S. CHIEN 08MAY2009				NAME	RESTRICTED TO
TOLERANCES UNLESS OTHERWISE SPECIFIED:		APVD W. KODAMA 08MAY2009				SIZE	CAGE CODE
0 PLC ± - 1 PLC ± 0.3 2 PLC ± 0.2 3 PLC ± 0.15 4 PLC ± - ANGLES ± 3°		PRODUCT SPEC 108-57871				DRAWING NO	REV
MATERIAL SEE NOTE		FINISH SEE NOTE	APPLICATION SPEC	WEIGHT SEE NOTE 4	A300779		
			CUSTOMER DRAWING	SCALE	SHEET 1 OF 3		

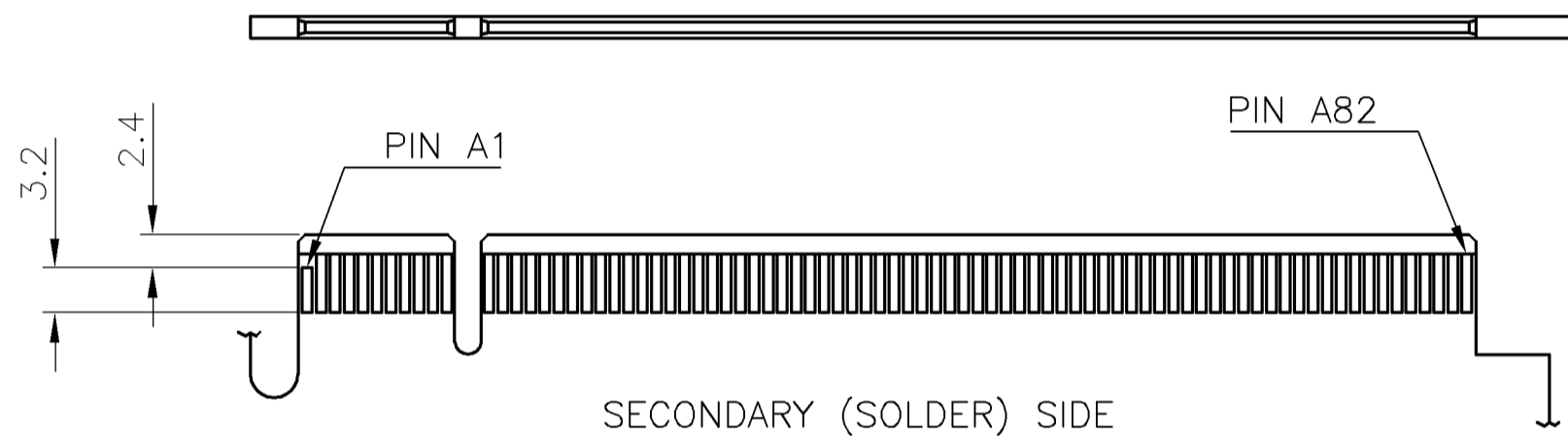
P	LTR	DESCRIPTION	DATE	DWN	APVD
		SEE SHEET 1.			



ADD-IN CARD EDGE-FINGER DIMENSIONS

NOTES:  
CHAMFER EDGE MUST BE FREE OF CUTTING BURRS

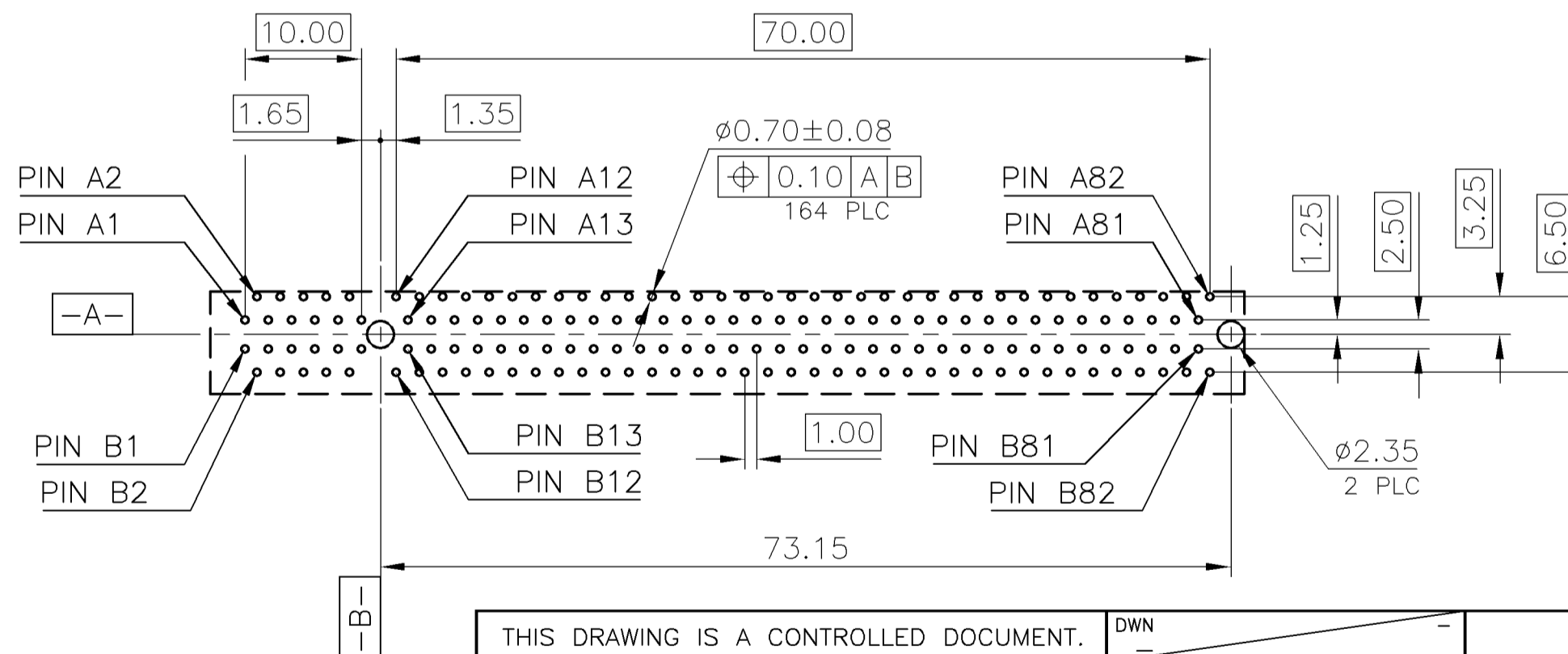
I/O PANEL DIRECTION  
PRIMARY (COMPONENT) SIDE



SECONDARY (SOLDER) SIDE

RECOMMENDED PCB LAYOUT

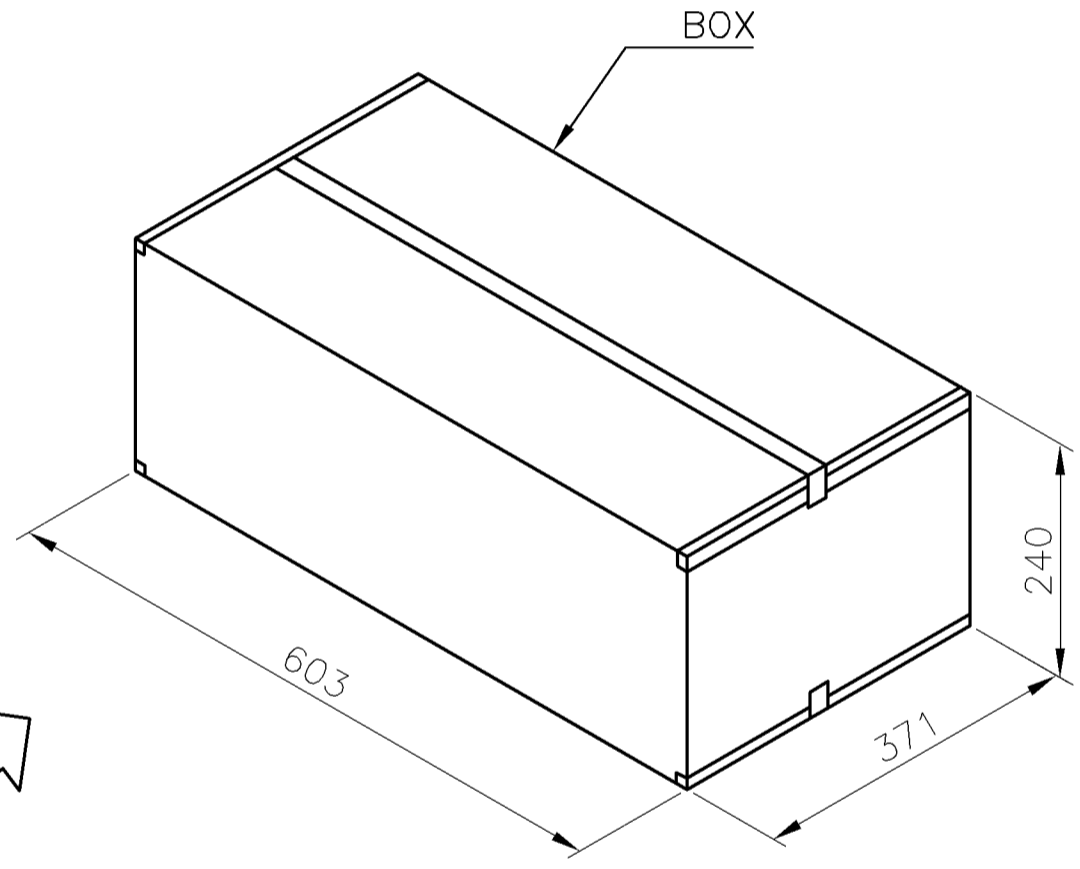
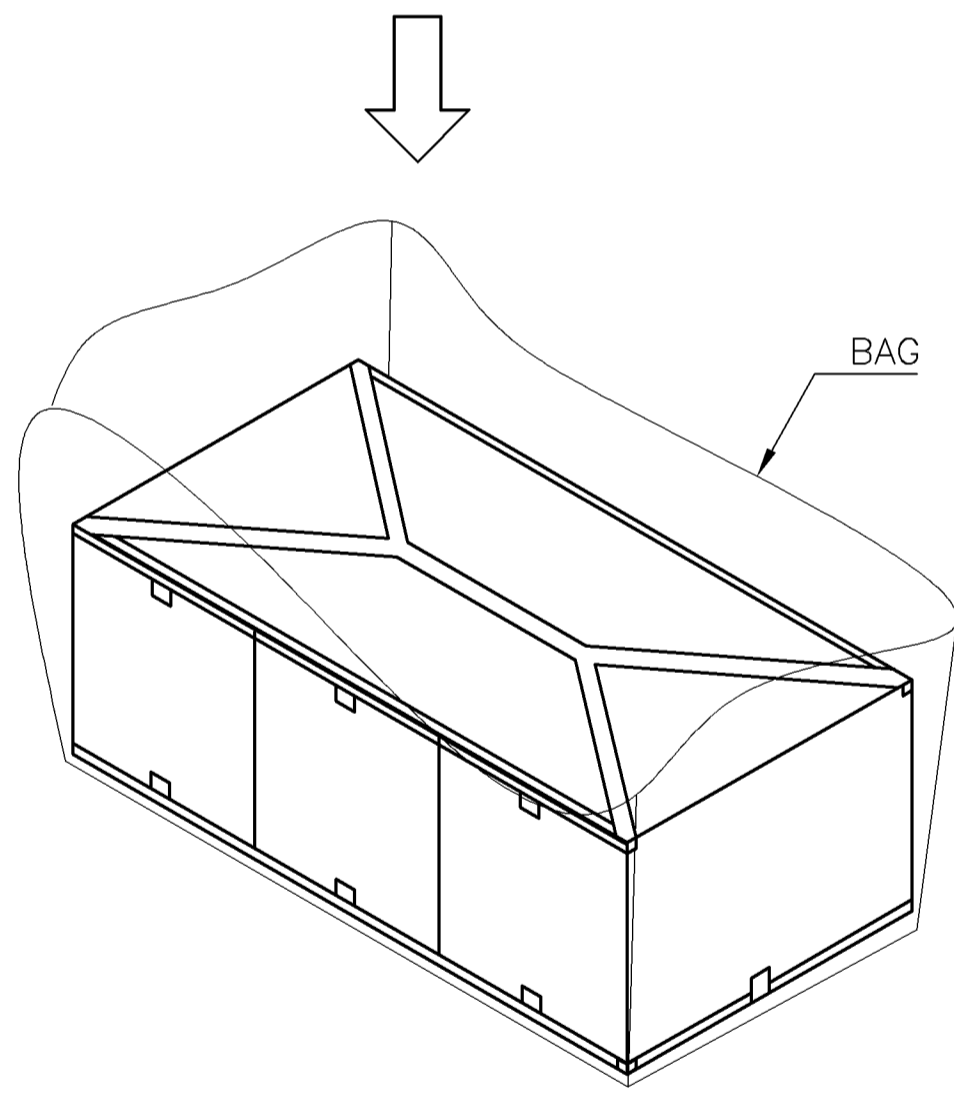
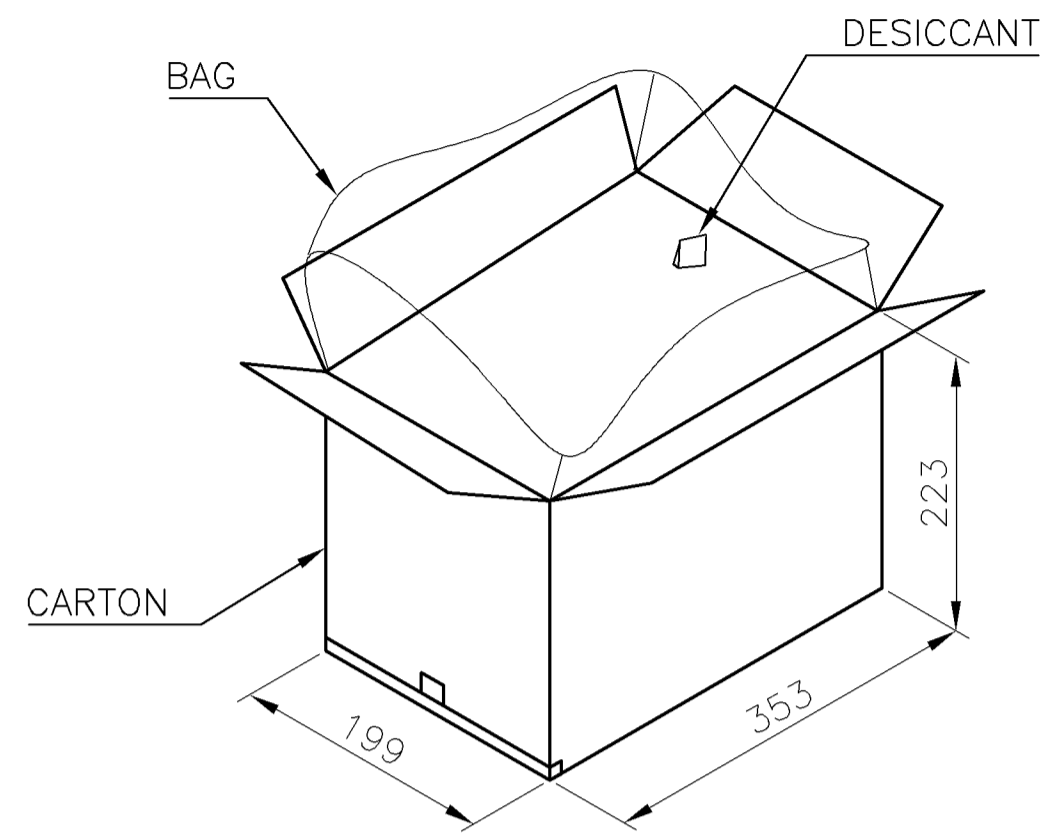
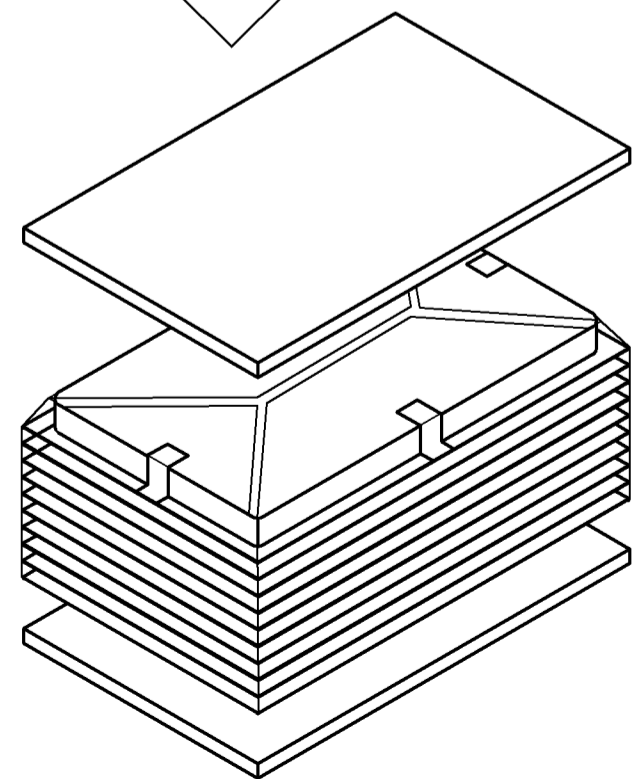
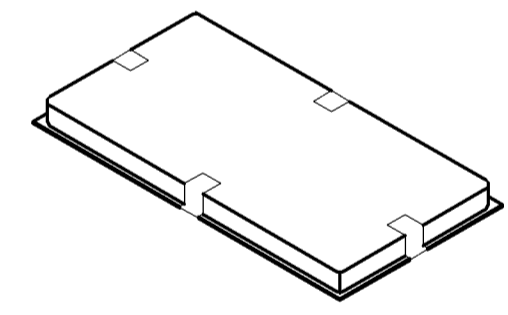
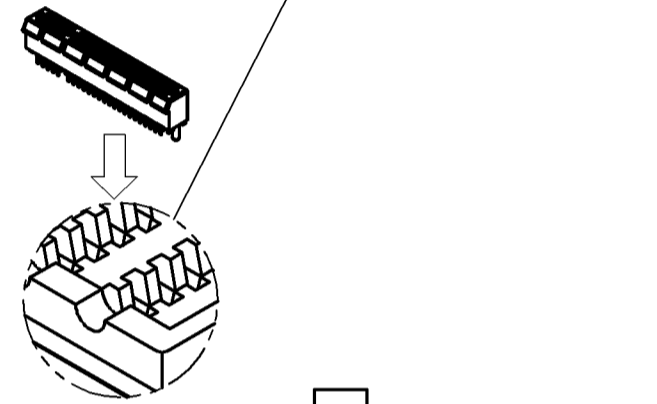
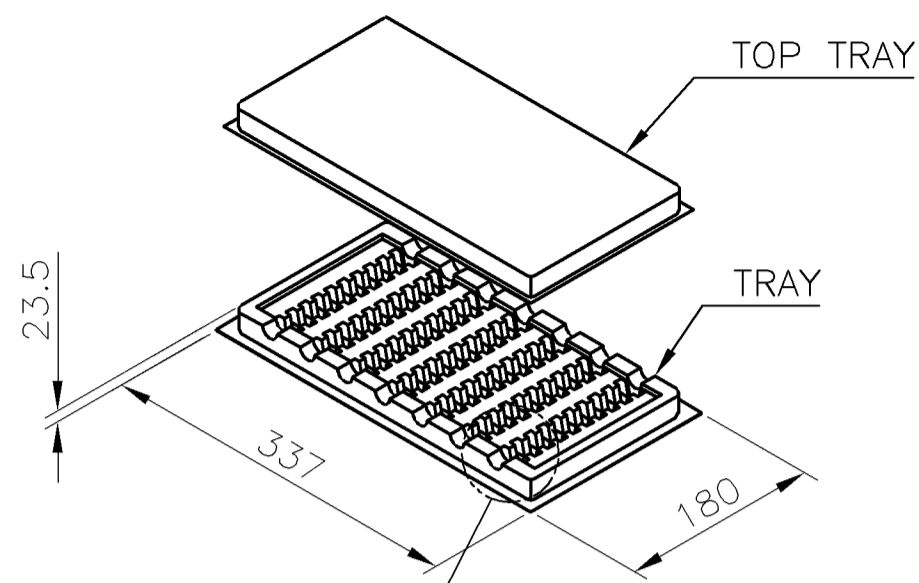
TOLERANCE: ±0.05  
(APPLY TO P.C.B THICKNESS: 2.36mm)



THIS DRAWING IS A CONTROLLED DOCUMENT.		DWN			<b>PCI EXPRESS CARD EDGE CONNECTOR VERTICAL, DIP TYPE, 3GIO</b>														
DIMENSIONS: MM		CHK																	
TOLERANCES UNLESS OTHERWISE SPECIFIED:		APVD																	
MATERIAL		PRODUCT SPEC																	
<table border="1"> <tr> <td>0 PLC</td> <td>±</td> </tr> <tr> <td>1 PLC</td> <td>±</td> </tr> <tr> <td>2 PLC</td> <td>±</td> </tr> <tr> <td>3 PLC</td> <td>±</td> </tr> <tr> <td>4 PLC</td> <td>±</td> </tr> <tr> <td>ANGLES</td> <td>±</td> </tr> <tr> <td>FINISH</td> <td>±</td> </tr> </table>		0 PLC	±	1 PLC	±	2 PLC	±	3 PLC	±	4 PLC	±	ANGLES	±	FINISH	±	APPLICATION SPEC	NAME		RESTRICTED TO
0 PLC	±																		
1 PLC	±																		
2 PLC	±																		
3 PLC	±																		
4 PLC	±																		
ANGLES	±																		
FINISH	±																		
CUSTOMER DRAWING		WEIGHT	SIZE	CAGE CODE	DRAWING NO														
			A3	00779	C=1759921														
			SCALE	SHEET	REV														
				2 OF 3	A1														

LOC DW DIST

P		LTR	DESCRIPTION	DATE	DWN	APVD
			SEE SHEET 1.			



- NOTES :
- MATERIAL :  
 TRAY : PVC, COLOR: TRANSPARENT.  
 CARTON: CORRUGATED FIBER  
 BOX: CORRUGATED FIBER
  - DIMENSION :  
 TRAY: SEE DRAWING  
 CARTON: SEE DRAWING  
 BOX : SEE DRAWING
  - QUANTITY : SEE TABLE
  - WEIGHT : SEE TABLE

10.2 Kg	8.2 Kg	30	10	3	900	164
GROSS WEIGHT	NET WEIGHT	PCS/ TRAY	TRAY/ CARTON	CARTON/ BOX	PCS/ BOX	POS.

THIS DRAWING IS A CONTROLLED DOCUMENT.		DWN	TE Connectivity PCI EXPRESS CARD EDGE CONNECTOR VERTICAL, DIP TYPE, 3GIO				
DIMENSIONS: MM		CHK					
		APVD					
TOLERANCES UNLESS OTHERWISE SPECIFIED: 0 PLC ± - 1 PLC ± - 2 PLC ± - 3 PLC ± - 4 PLC ± - ANGLES ± - MATERIAL FINISH		PRODUCT SPEC					
MATERIAL		APPLICATION SPEC	NAME	SIZE	CAGE CODE	DRAWING NO	RESTRICTED TO
		WEIGHT	A300779		C=1759921		
		CUSTOMER DRAWING	SCALE	SHEET	3 OF 3	REV	A1

# Mouser Electronics

Authorized Distributor

Click to View Pricing, Inventory, Delivery & Lifecycle Information:

[TE Connectivity:](#)

[1759921-4](#)