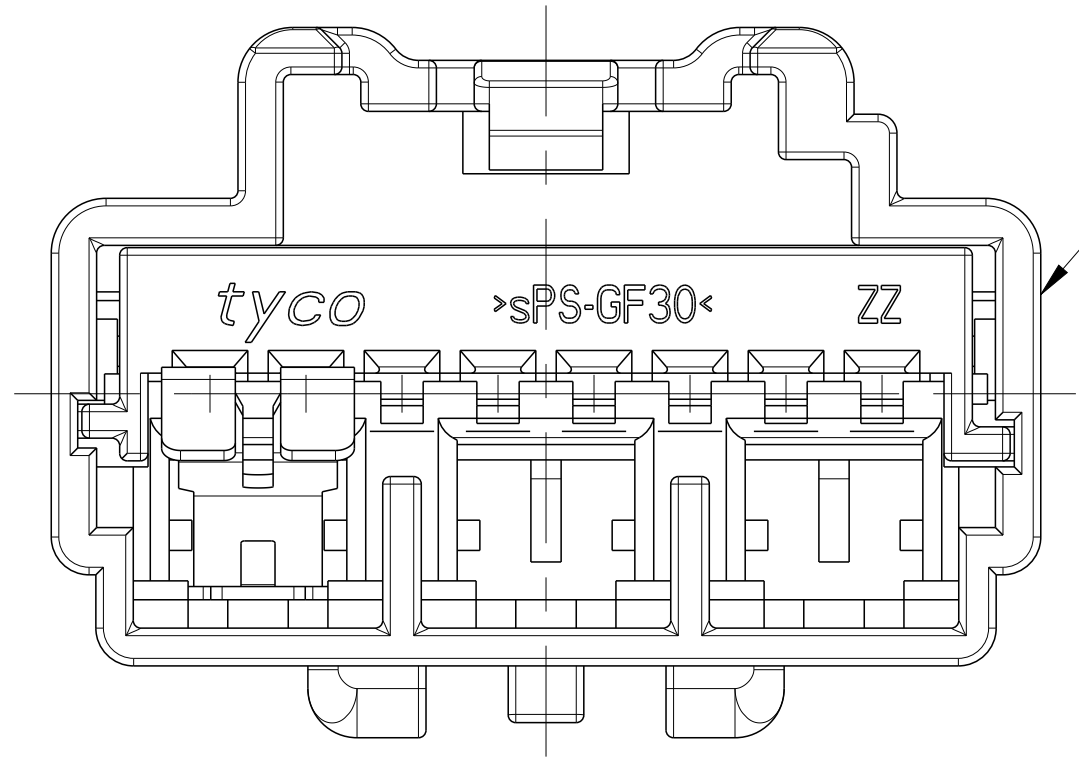
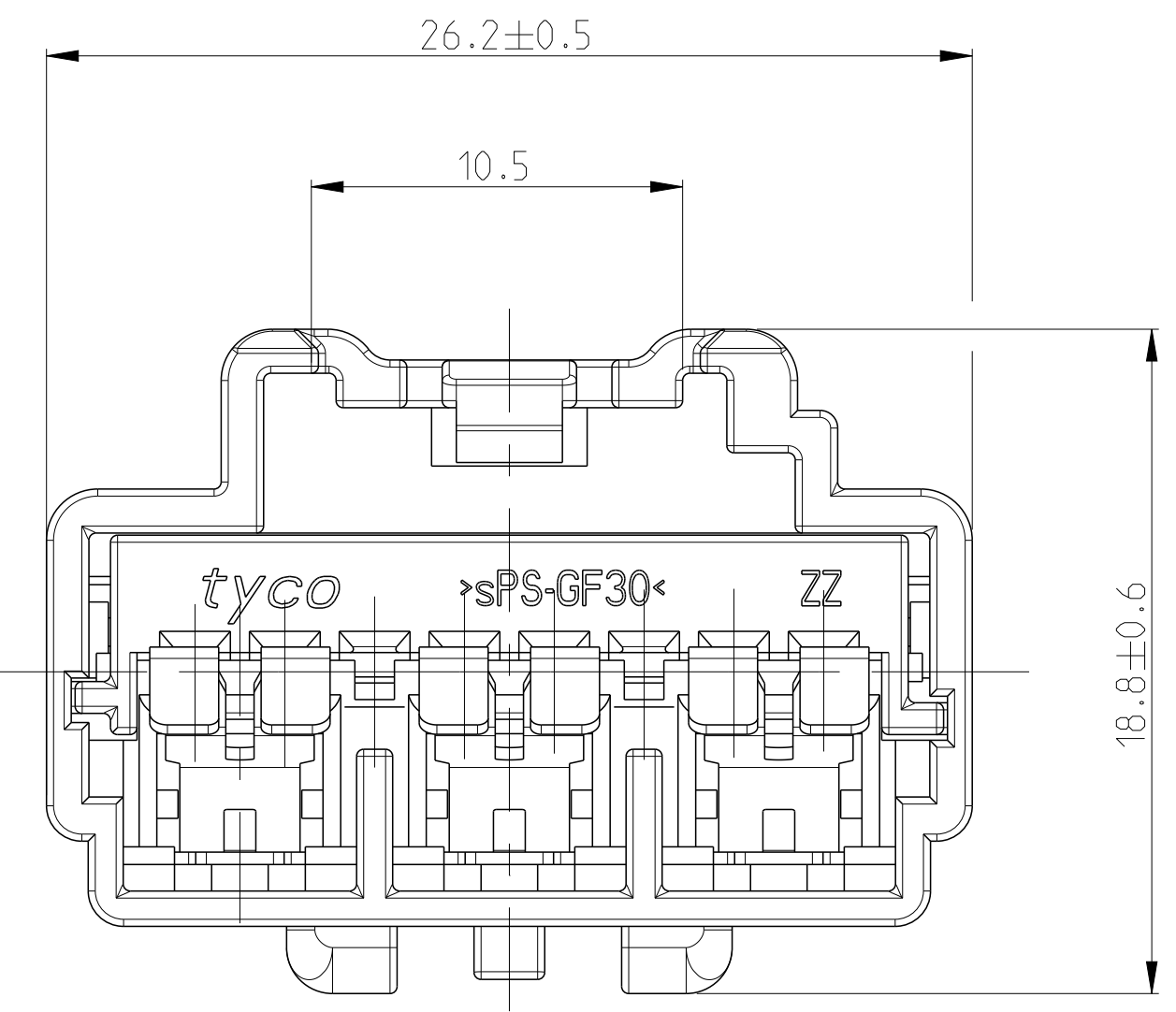
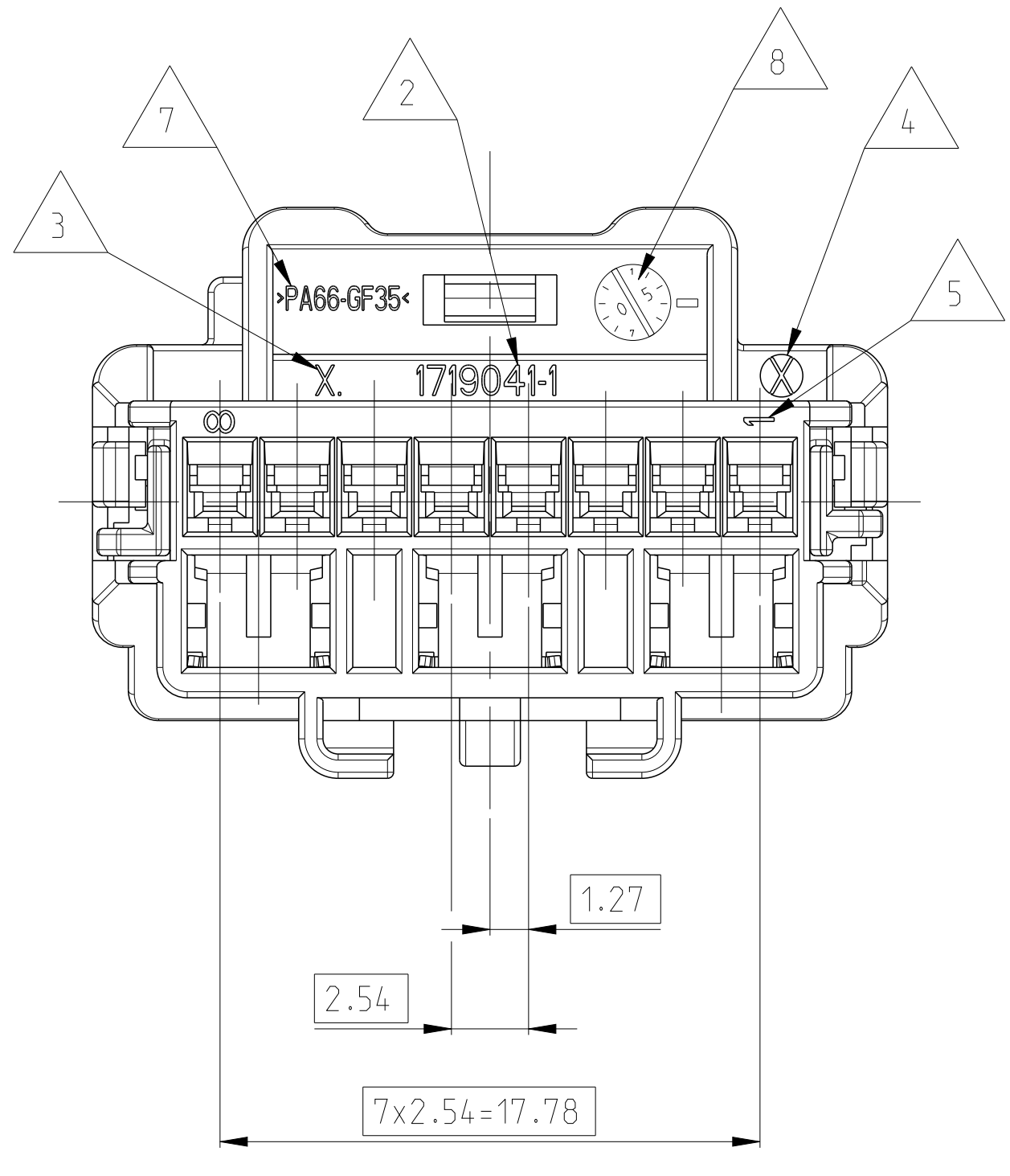
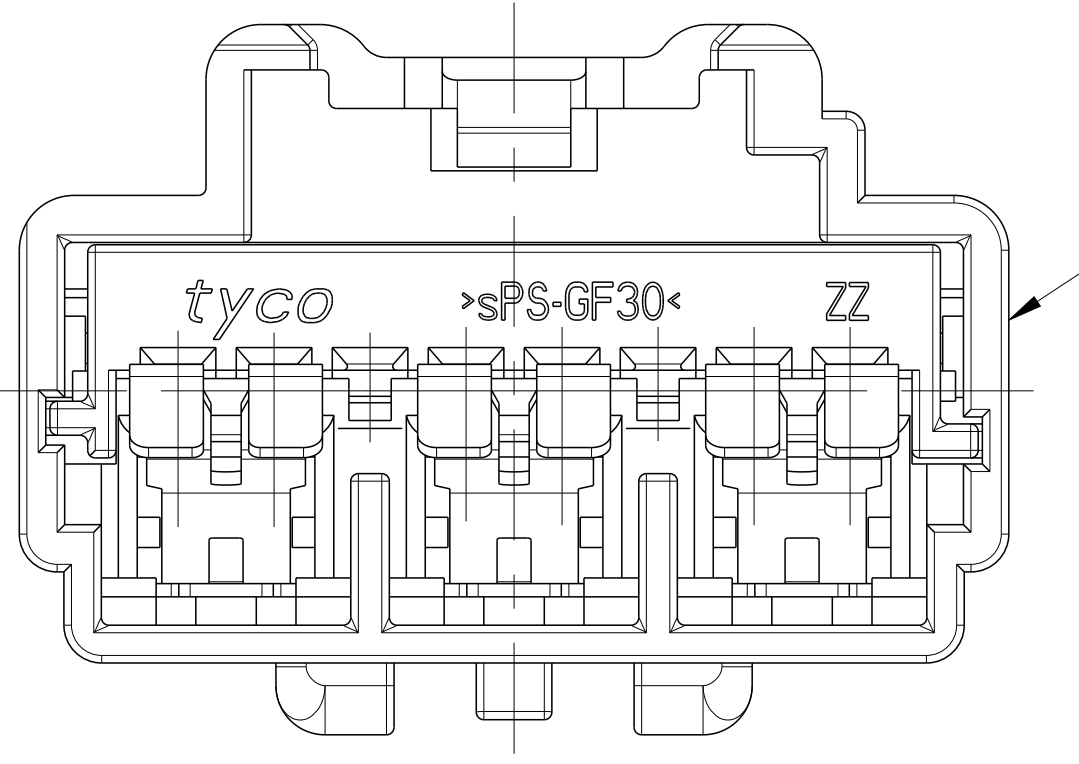


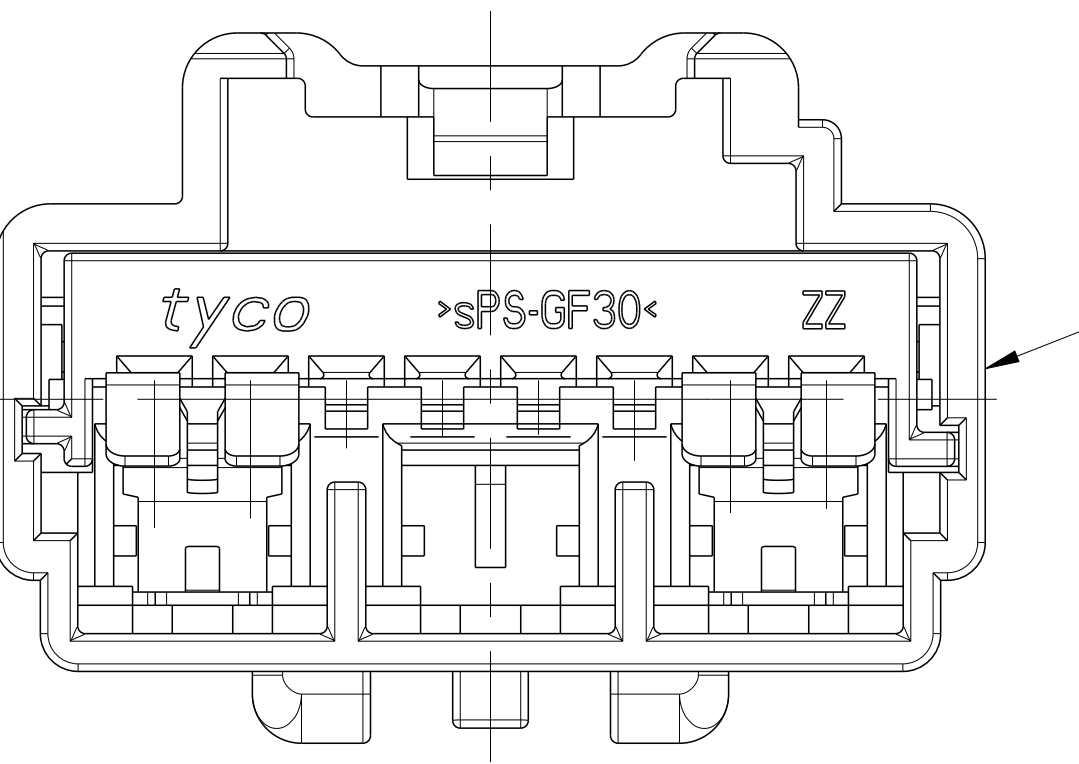
LOC	DIST	REV	DATE	BY	CHK	APPD
A1	-	B	SEE ECR-05-012572	1005 T2005	CW	GS
		B1	SEE ECR-13-002515	20MAR2013	SH	KR



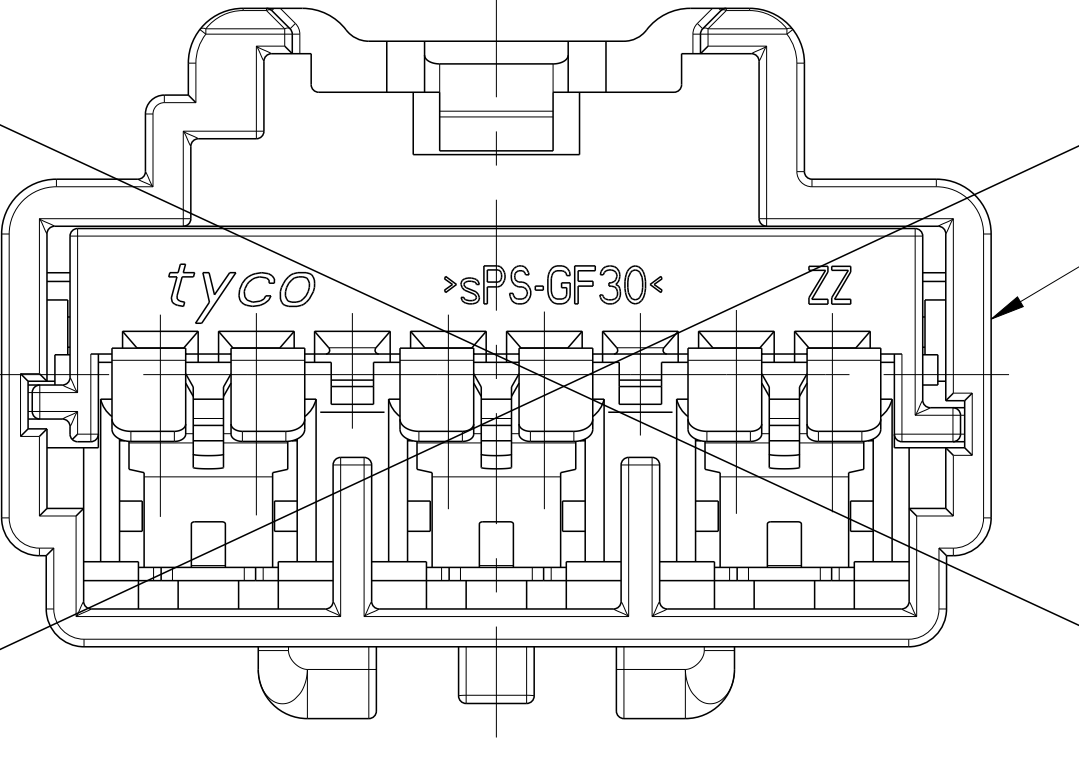
B1 CODING X
PN 2-1719040-1



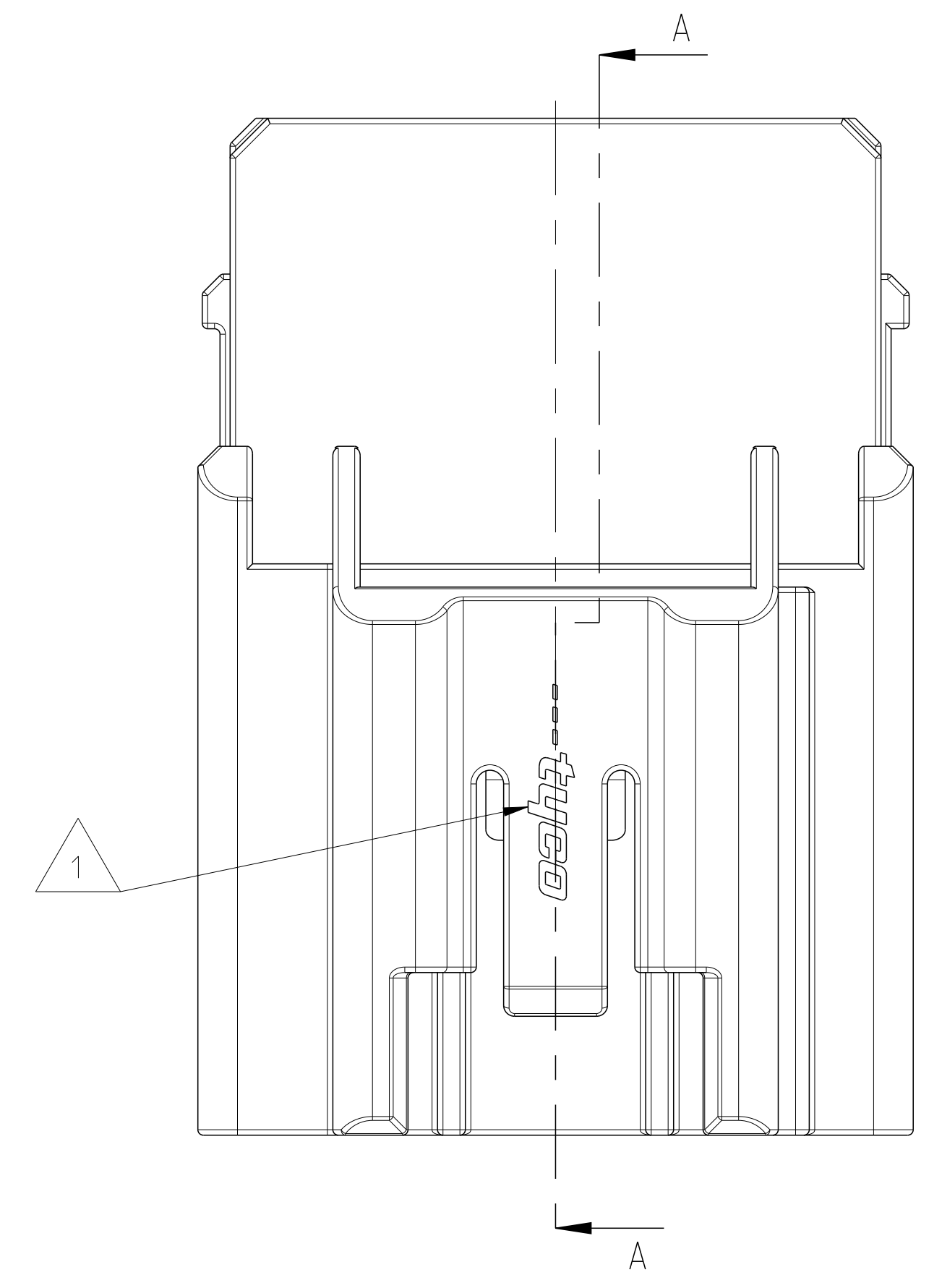
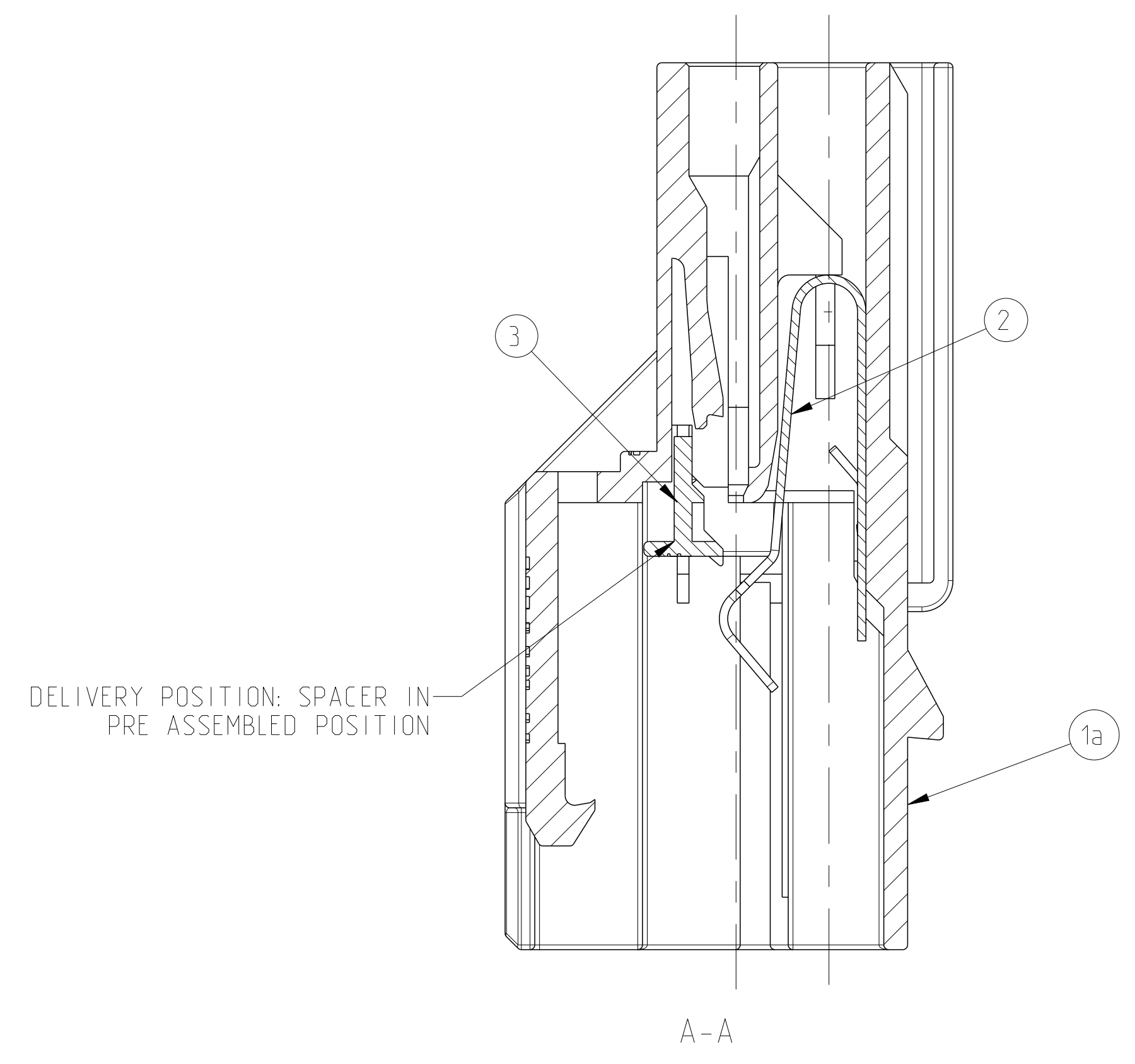
CODING X
PN 1719040-1



CODING X
PN 1-1719040-1



CODING Z
PN 1719040-2



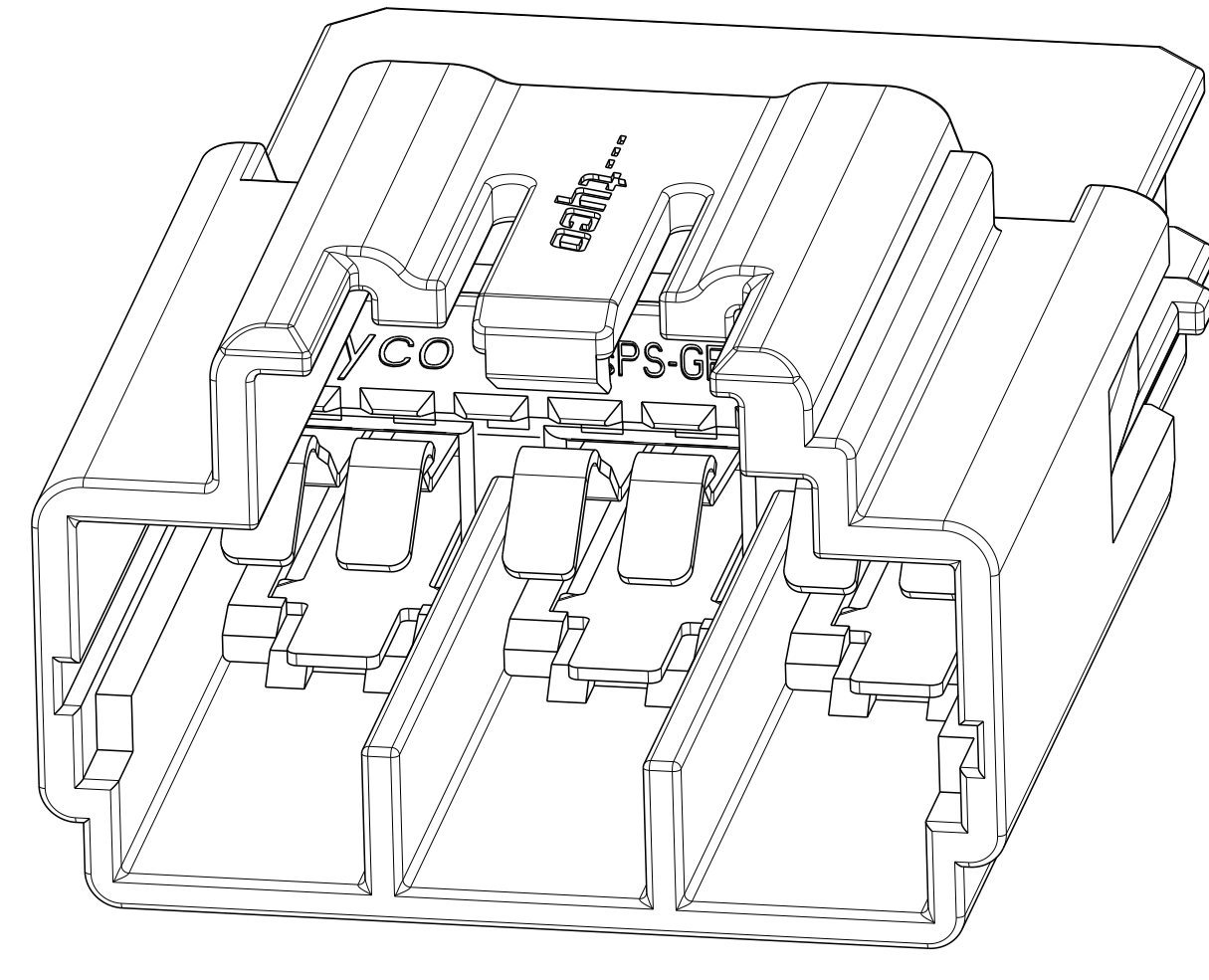
- NOTES:
Bemerkungen:
- 1 TE-LOGO
TE-Logo
 - 2 TE-HOUSING PART NUMBER
TE-Gehäuseartikelnummer
 - 3 HOUSING REVISION-NUMBER
Gehäuse-Werkzeugaenderungsindex
 - 4 TOOL CAVITY MARKING
Nestmarkierung
 - 5 CAVITY MARKING
Kammernumerierung
 - 6 PACKAGING: CORRUGATED LAYER PAD IN SHIPPING BOX
Verpackung: Lagenverpackung
 - 7 MATERIAL MARKING
Werkstoffkennzeichnung
 - 8 PRODUCTION DATE
Produktionsdatum

TOLERANCES UNLESS OTHERWISE SPECIFIED: ±0.3
 Toleranzen wenn nicht anders spezifiziert: ±0.3

10 MATING PART: 1x8POS. GET FEMALE HOUSING
 TE-PN: 9-1419169-7

11 SUITABLE GET MALE TERMINALS: TE-PN: 3-1419158-1 (GOLD) FORD-PN: 112T-14421-0A 0.22/0.35mm²
 TE-PN: 2-1419158-3 (GOLD) FORD-PN: 112T-14421-EA 0.5/0.75mm²

12 1719040-1 IS SHOWN
 1719040-1 wird gezeigt



ASSY PART-NO.	ASSY REV.	DESCRIPTION	MATERIAL	COLOR	ITEM NO.
2-1719040-1	B	1x SPACER	SPS-GF30	RED	3
		1x SHORT-CIRCUIT-SPRING	X12C-N1777	-	2
		1x MALE HOUSING	PA66-GF35	ROTORAUX VIOLET	1d
1719040-2	B	1x SPACER	SPS-GF30	RED	3
		1x SHORT-CIRCUIT-SPRING	X12C-N1777	-	2
		1x MALE HOUSING	PA66-GF35	YELLOW	1c
1-1719040-1	B	1x SPACER	SPS-GF30	RED	3
		2x SHORT-CIRCUIT-SPRING	X12C-N1777	-	2
		1x MALE HOUSING	PA66-GF35	ORANGE	1b
1719040-1	B	1x SPACER	SPS-GF30	RED	3
		1x SHORT-CIRCUIT-SPRING	X12C-N1777	-	2
		1x MALE HOUSING	PA66-GF35	YELLOW	1a

THIS DRAWING IS A CONTROLLED DOCUMENT.

DATE: 03MAY2005
 BY: H. Meinhart
 CHECKED: OCMAY2005
 DRAWN: S. Steinbach
 APPROVED: OCMAY2005

STE TE Connectivity

NAME: 8POS. GET MALE HOUSING WITH SHORTING BARS UNSEALED

SCALE: 5:1

SHEET 1 OF 1

REV B1