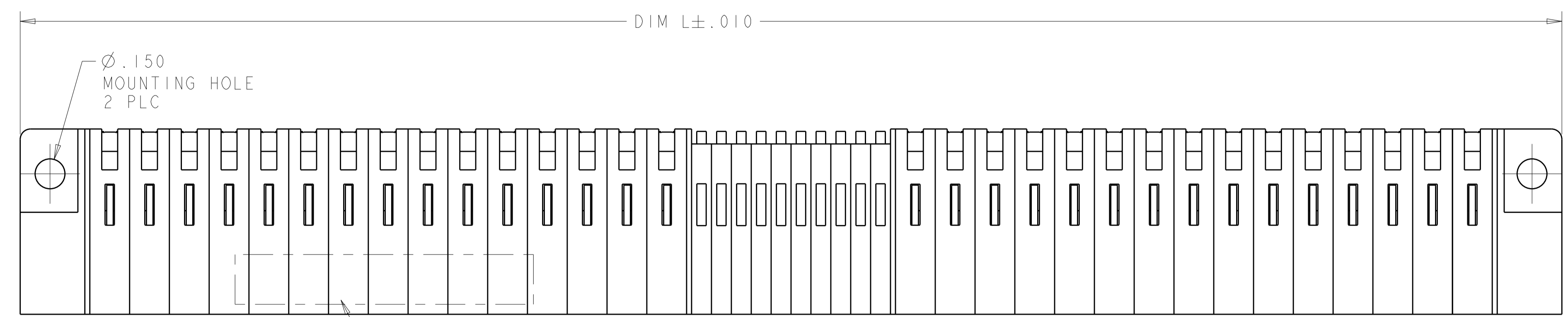
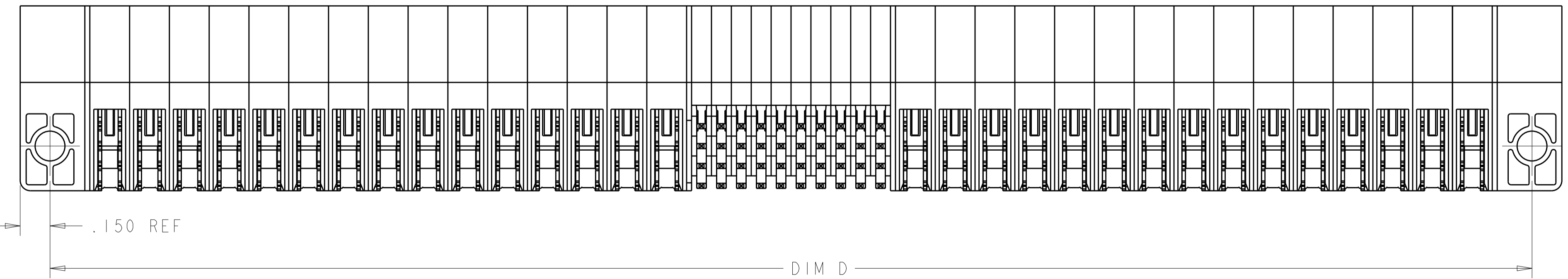
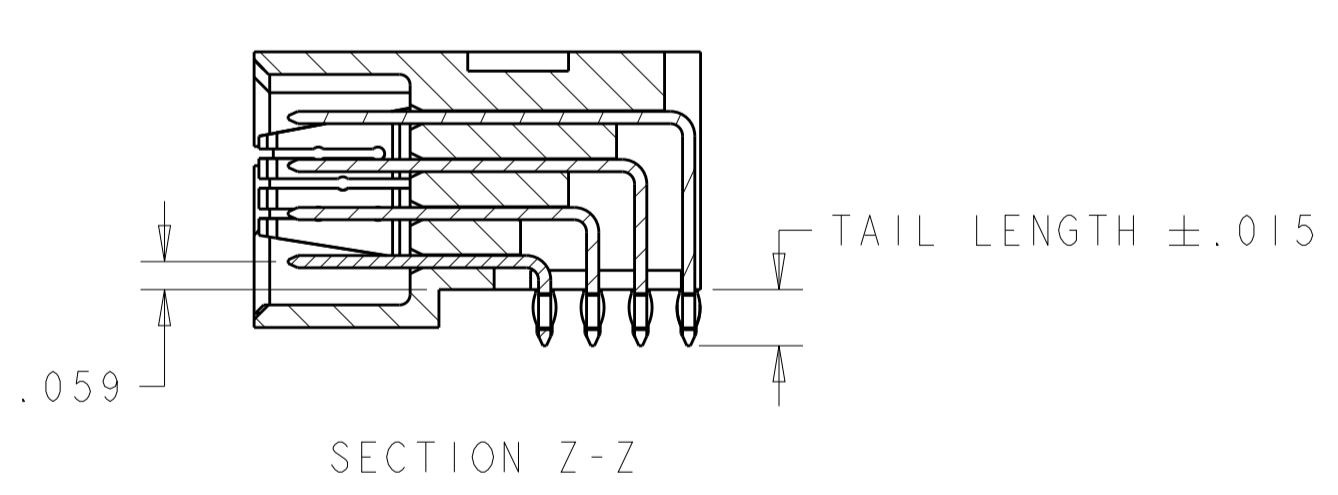
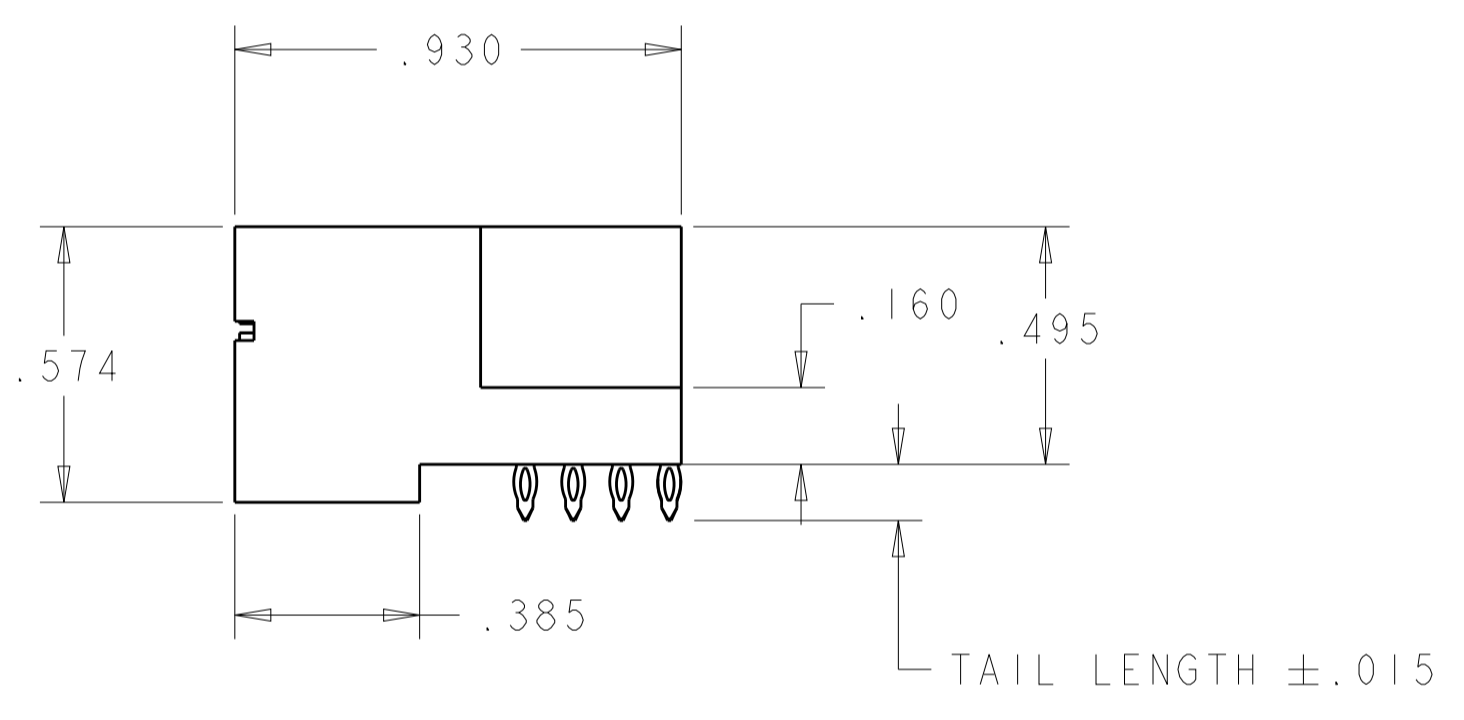
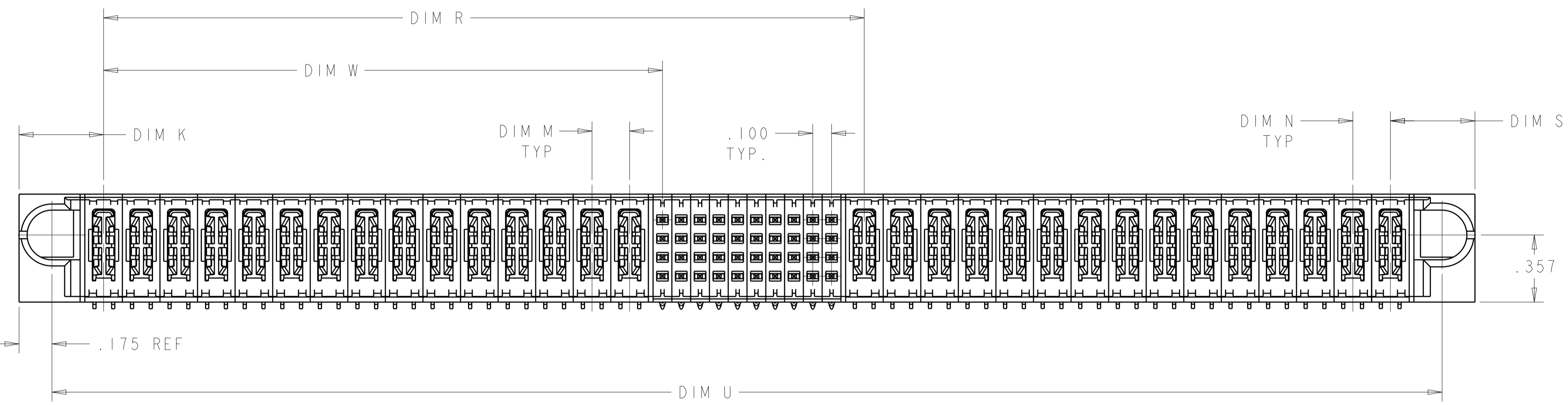


| LOC | | DIST | | REVISIONS | | | | | |
|-----|--|------|--|-----------|-----|---------------------------|-----------|-----|------|
| ES | | 00 | | P | LTN | DESCRIPTION | DATE | DWN | APVD |
| E3 | | | | | | ADDED THE DASH NUMBER -15 | 10AUG2012 | ML | SZ |
| E4 | | | | | | REVISED | 13DEC2012 | CZ | SZ |
| E6 | | | | | | ADD NEW DASH NO. | 20JAN2014 | AL | SZ |



- △ "AMP", PART NUMBER, AND DATECODE TO BE MARKED IN AREA SHOWN. PARTS UNDER 2.00 LONG MAY BE MARKED ON BOTH SIDES.
- △ MATERIAL: HOUSING - GLASS FILLED HIGH TEMP THERMO PLASTIC, UL94 V-0
POWER CONTACT - HIGH CONDUCTIVITY COPPER ALLOY
SIGNAL CONTACT - HIGH CONDUCTIVITY COPPER ALLOY
- △ CONTACT PLATING: NOBEL METAL PLATED ON CONTACT FUNCTIONAL AREA OF POWER OR SIGNAL CONTACTS,
- △ MECHANICAL CONNECTOR KEEP OUT ZONE.
- △ DATUM AND BASIC DIMENSIONS ESTABLISHED BY CUSTOMER.
- △ PCB - HOLE DIAMETERS ARE FINISHED HOLE SIZE.
- △ PCB - .0453±.0010 DRILLED HOLES PLATED WITH .0003 MIN Sn OVER .001 TO .003 Cu PLATING TO ACHIEVE A .040 DIA HOLE.
- △ NOT RELEASED FOR PRODUCTION.




| | | | |
|--|--|-------------------------------|---|
| THIS DRAWING IS A CONTROLLED DOCUMENT. | | DWN T. ZHANG 17MAY2006 | TE Connectivity |
| DIMENSIONS: INCHES | | CHK G. ZHANG 17MAY2006 | |
| TOLERANCES UNLESS OTHERWISE SPECIFIED: | | APVD S. ZHAO 17MAY2006 | NAME RIGHT ANGLE HEADER ASSEMBLY W/ GUIDE, PRESS FIT MULTI-BEAM XL |
| 0 PLC ±. 1 PLC ±.01 2 PLC ±.01 3 PLC ±.005 4 PLC ±.0020 ANGLES ±.2° | | PRODUCT SPEC 108-1973 | SIZE A100779 |
| MATERIAL | | APPLICATION SPEC 114-13038 | CAGE CODE C=6450520 |
| FINISH | | WEIGHT | RESTRICTED TO |
| CUSTOMER DRAWING | | SCALE 4:1 | SHEET 1 OF 7 |
| | | REV E6 | |

THIS DRAWING IS UNPUBLISHED. RELEASED FOR PUBLICATION 20
 © COPYRIGHT 20 TE CONNECTIVITY ALL RIGHTS RESERVED.

| LOC | DIST | REVISIONS | | | | | |
|-----|------|-----------|-----|-------------|------|-----|------|
| | | P | LTN | DESCRIPTION | DATE | DWN | APVD |
| ES | 00 | - | | SEE SHEET 1 | - | - | - |
| | | | | | | | |
| | | | | | | | |

E6

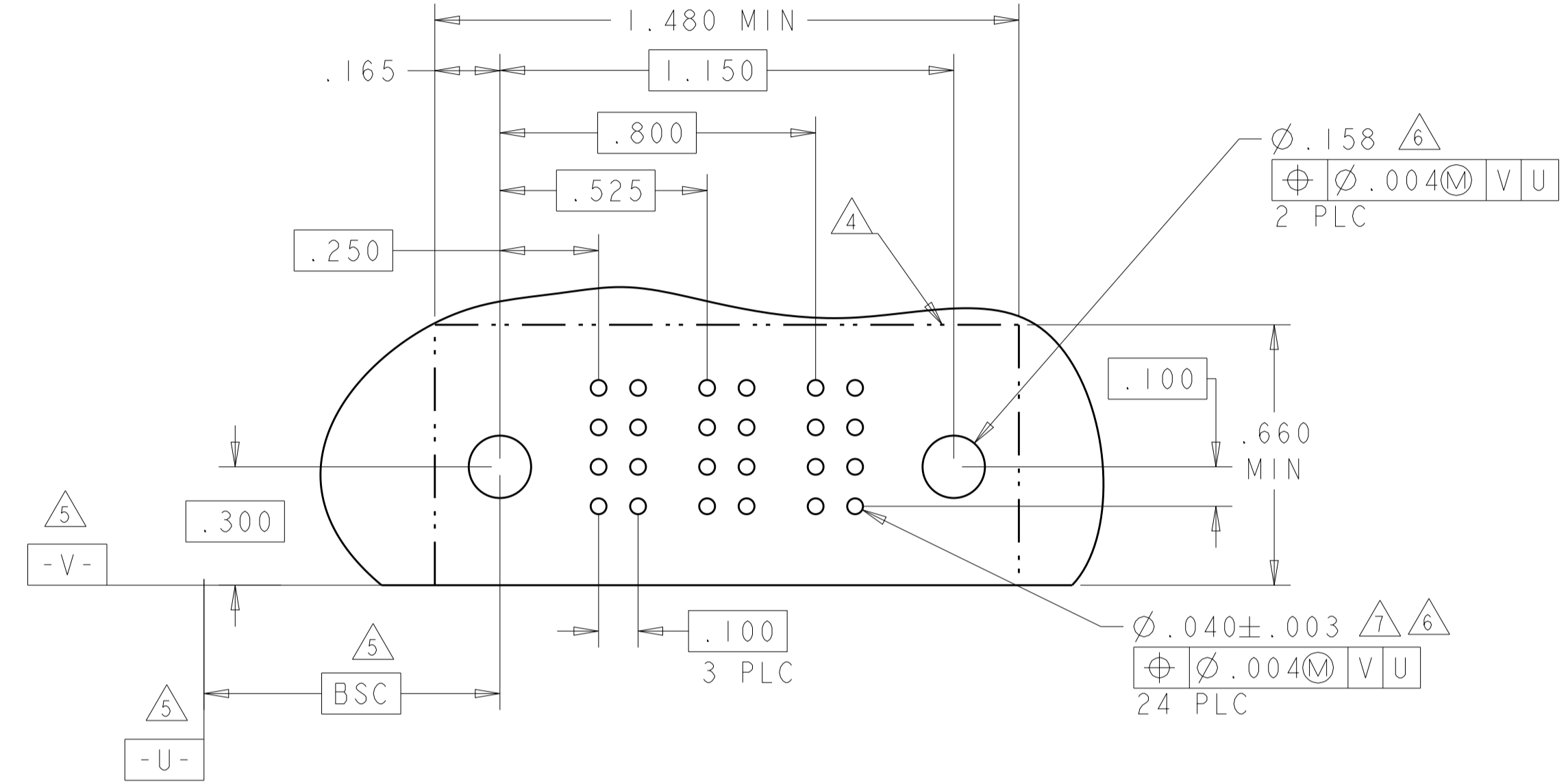
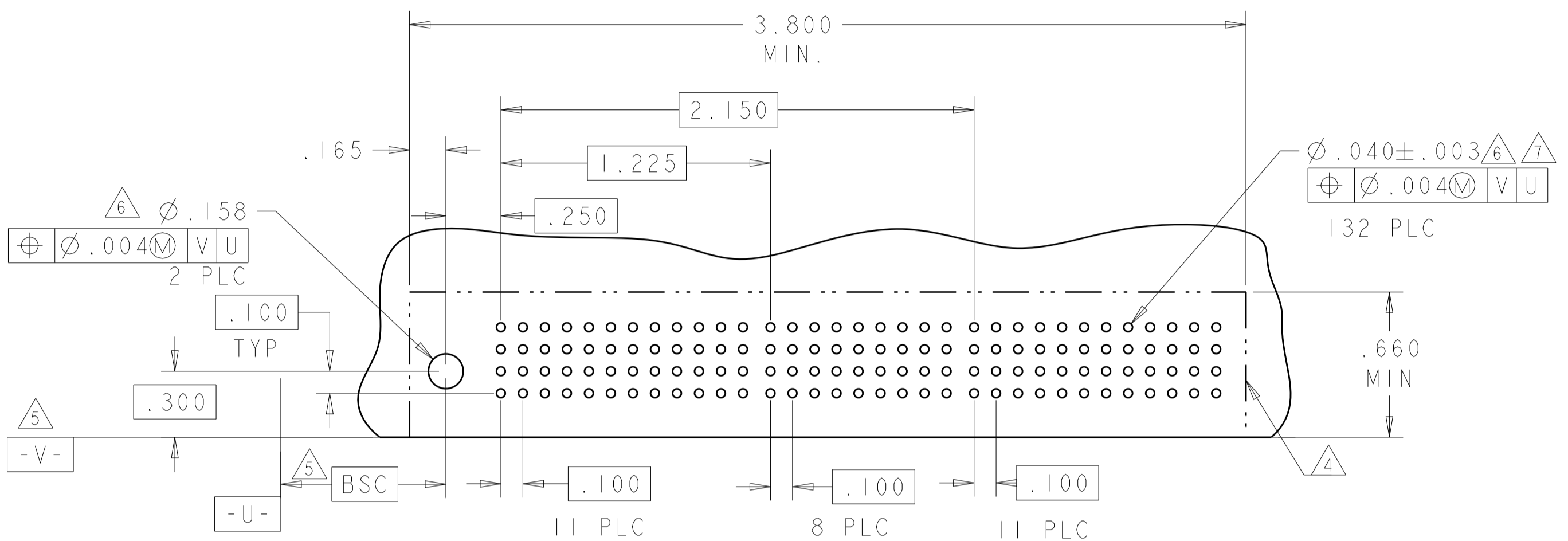
| | | | | | | | | | | |
|------|------|-------|------|------|-------|-------|-------|-------|---------------|-------------|
| .300 | .250 | 3.300 | .450 | .450 | 3.25 | .925 | 1.200 | 3.6 | 4P+8S+6P | 1-6450520-8 |
| .300 | .250 | 3.200 | .450 | .450 | 3.15 | .925 | 1.400 | 3.5 | 4P+16S+5P | 1-6450520-7 |
| .250 | - | 2.950 | .450 | .450 | 2.900 | .925 | 1.600 | 3.250 | 4P+24S+4P | 1-6450520-6 |
| - | .300 | 1.700 | - | .475 | 1.650 | .850 | - | 2.000 | 3ACP+16S | 1-6450520-5 |
| - | - | 1.575 | - | .400 | 1.525 | - | - | 1.875 | 48S | 1-6450520-4 |
| - | - | 1.975 | - | .400 | 1.925 | - | - | 2.275 | 64S | 1-6450520-3 |
| .250 | .250 | 5.950 | .450 | .450 | 5.900 | 2.425 | 3.100 | 6.250 | 10P+24S+10P | 1-6450520-2 |
| - | - | 1.350 | .450 | .450 | 1.300 | .225 | 0.750 | 1.650 | 1P+16S+1P | 1-6450520-1 |
| .250 | .250 | 2.150 | .450 | .450 | 2.100 | .725 | 1.050 | 2.450 | 3P+8S+3P | 6450520-9 |
| - | - | 1.150 | .450 | .450 | 1.100 | .225 | .550 | 1.450 | 1P+8S+1P | 6450520-8 |
| .200 | .200 | - | - | .450 | - | 1.175 | 2.150 | 3.970 | 6HDP+36S+7HDP | 6450520-7 |
| .200 | .200 | - | - | .450 | - | 1.175 | 2.150 | 3.770 | 6P+36S+6P | 6450520-6 |
| .200 | .200 | - | - | .450 | - | 2.975 | 4.050 | 7.470 | 15P+40S+15P | 6450520-5 |
| .200 | .200 | - | .450 | - | - | 2.975 | 4.050 | 7.470 | 15P+40S+15P | 6450520-4 |
| N | M | D | S | K | U | W | R | L | DESCRIPTION | PART NUMBER |

| | | | |
|---|--------|---|--|
| THIS DRAWING IS A CONTROLLED DOCUMENT. | | DWN T. ZHANG 17MAY2006 |  TE Connectivity NAME RIGHT ANGLE HEADER ASSEMBLY W/ GUIDE, PRESS FIT MULTI-BEAM XL |
| DIMENSIONS: INCHES | | CHK G. ZHANG 17MAY2006 | |
| TOLERANCES UNLESS OTHERWISE SPECIFIED: | | APVD S. ZHAO 17MAY2006 | |
| 0 PLC ±. 1 PLC ±.01 2 PLC ±.01 3 PLC ±.005 4 PLC ±.0020 ANGLES ±.020 | | PRODUCT SPEC 108-1973 APPLICATION SPEC 114-13038 | |
| MATERIAL | FINISH | WEIGHT | SIZE CAGE CODE DRAWING NO A100779C=6450520 RESTRICTED TO |
| CUSTOMER DRAWING | | SCALE 4:1 | SHEET 2 OF 7 REV E6 |

| LOC | DIST | REVISIONS | | | |
|-----|------|-----------|-------------|----|------|
| ES | 00 | REV | DATE | BY | APPD |
| | | 1 | SEE SHEET 1 | | |

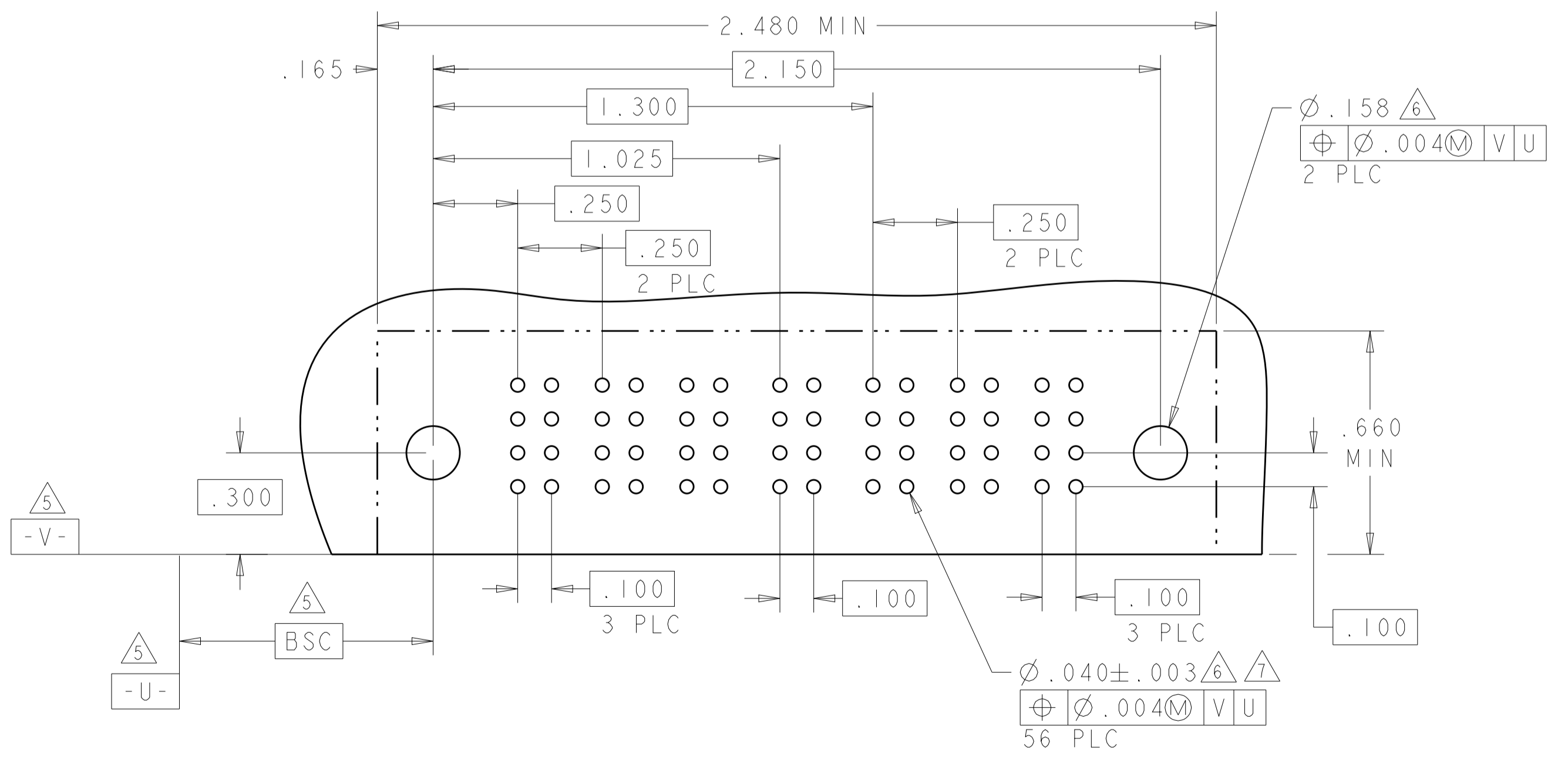
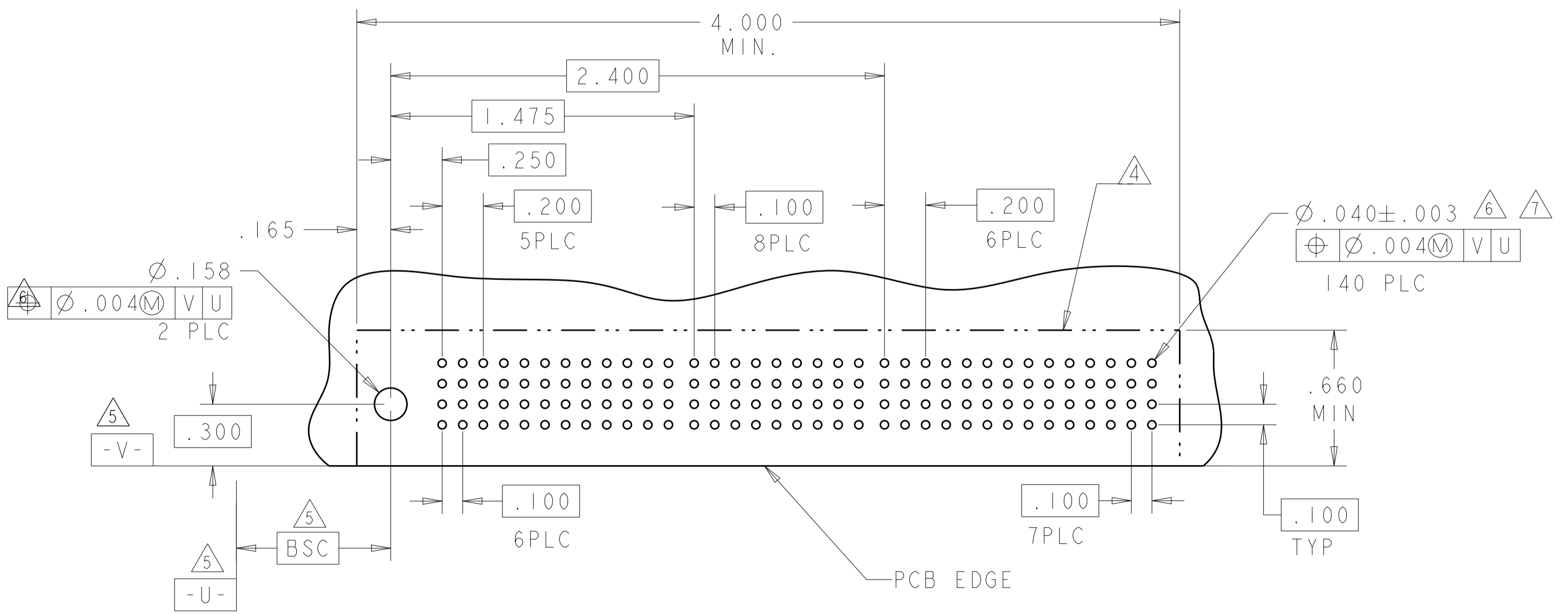
| PART NUMBER | ROWS | SIGNAL | | | | | | | | | | POWER | | | | | | | | | | | |
|-------------------|------------------|--------|----|----|----|----|----|----|----|----|----|-------|----|----|----|----|----|----|----|-----|-----|-----|--|
| | | P1 | P2 | P3 | P4 | P5 | P6 | 1 | 2 | 3 | 4 | 5 | 6 | 7 | 8 | 9 | P7 | P8 | P9 | P10 | P11 | P12 | |
| 6450520-6 | D C B A | PT | PT | PT | PT | PT | PT | Z5 | Z5 | Z5 | Z5 | Z5 | Z5 | Z5 | Z5 | Z5 | PT | PT | PT | PT | PT | PT | |
| | | | | | | | | Y5 | Y5 | Y5 | Y5 | Y5 | Y5 | Y5 | Y5 | Y5 | | | | | | | |
| | | | | | | | | R5 | R5 | R5 | R5 | R5 | R5 | R5 | R5 | R5 | | | | | | | |
| | | | | | | | | O5 | O5 | O5 | O5 | O5 | O5 | O5 | O5 | O5 | | | | | | | |
| 6HDP + 36S + 6HDP | | | | | | | | | | | | | | | | | | | | | | | |

| PART NUMBER | ROWS | POWER | | SIGNAL | | POWER | |
|--------------|------------------|-------|----|--------|----|-------|----|
| | | P1 | P2 | 1 | 2 | P2 | P1 |
| 6450520-8 | D C B A | PT | PT | Z5 | Z5 | PT | PT |
| | | | | Y5 | Y5 | | |
| | | | | R5 | R5 | | |
| | | | | O5 | O5 | | |
| IP + 8S + IP | | | | | | | |



| PART NUMBER | ROWS | SIGNAL | | | | | | | | | | POWER | | | | | | | | | | | |
|-------------------|------------------|--------|----|----|----|----|----|----|----|----|----|-------|----|----|----|----|----|----|----|-----|-----|-----|-----|
| | | P1 | P2 | P3 | P4 | P5 | P6 | 1 | 2 | 3 | 4 | 5 | 6 | 7 | 8 | 9 | P7 | P8 | P9 | P10 | P11 | P12 | P13 |
| 6450520-7 | D C B A | PT | PT | PT | PT | PT | PT | Z5 | Z5 | Z5 | Z5 | Z5 | Z5 | Z5 | Z5 | Z5 | PT | PT | PT | PT | PT | PT | PT |
| | | | | | | | | Y5 | Y5 | Y5 | Y5 | Y5 | Y5 | Y5 | Y5 | Y5 | | | | | | | |
| | | | | | | | | R5 | R5 | R5 | R5 | R5 | R5 | R5 | R5 | R5 | | | | | | | |
| | | | | | | | | O5 | O5 | O5 | O5 | O5 | O5 | O5 | O5 | O5 | | | | | | | |
| 6HDP + 36S + 7HDP | | | | | | | | | | | | | | | | | | | | | | | |

| PART NUMBER | ROWS | POWER | | | SIGNAL | | POWER | | |
|--------------|------------------|-------|----|----|--------|----|-------|----|----|
| | | P1 | P2 | P3 | 1 | 2 | P4 | P5 | P6 |
| 6450520-9 | D C B A | PT | PT | PT | Z5 | Z5 | PT | PT | PT |
| | | | | | Y5 | Y5 | | | |
| | | | | | R5 | R5 | | | |
| | | | | | O5 | O5 | | | |
| 3P + 8S + 3P | | | | | | | | | |



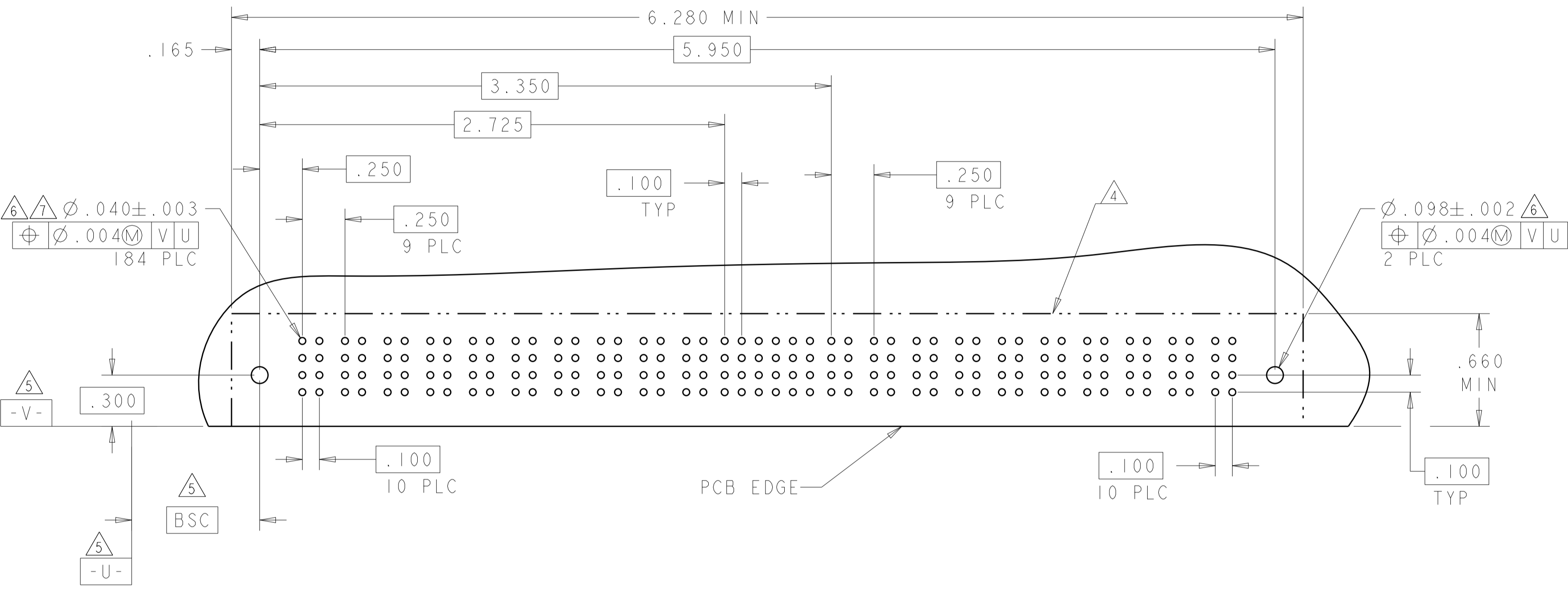
THIS DRAWING IS A CONTROLLED DOCUMENT.

| | | | | |
|-------------|--|------------------|---|-----------|
| DIMENSIONS: | TOLERANCES UNLESS OTHERWISE SPECIFIED: | OWN | T. ZHANG | 17MAY2006 |
| INCHES | 0 PLC ±.01 | CHK | G. ZHANG | 17MAY2006 |
| | 1 PLC ±.01 | APPD | S. ZHAO | 17MAY2006 |
| | 2 PLC ±.01 | NAME | RIGHT ANGLE HEADER ASSEMBLY W/ GUIDE, PRESS FIT MULTI-BEAM XL | |
| | 3 PLC ±.01 | PRODUCT SPEC | 108-1973 | |
| | 4 PLC ±.005 | APPLICATION SPEC | 114-13038 | |
| | 5 PLC ±.0020 | SIZE | A100779C=6450520 | |
| | ANGLES ±.0020 | RESTRICTED TO | SHEET 4 OF 7 | |
| MATERIAL | FINISH | WEIGHT | SCALE 4:1 | |
| | | | REV E6 | |

CUSTOMER DRAWING

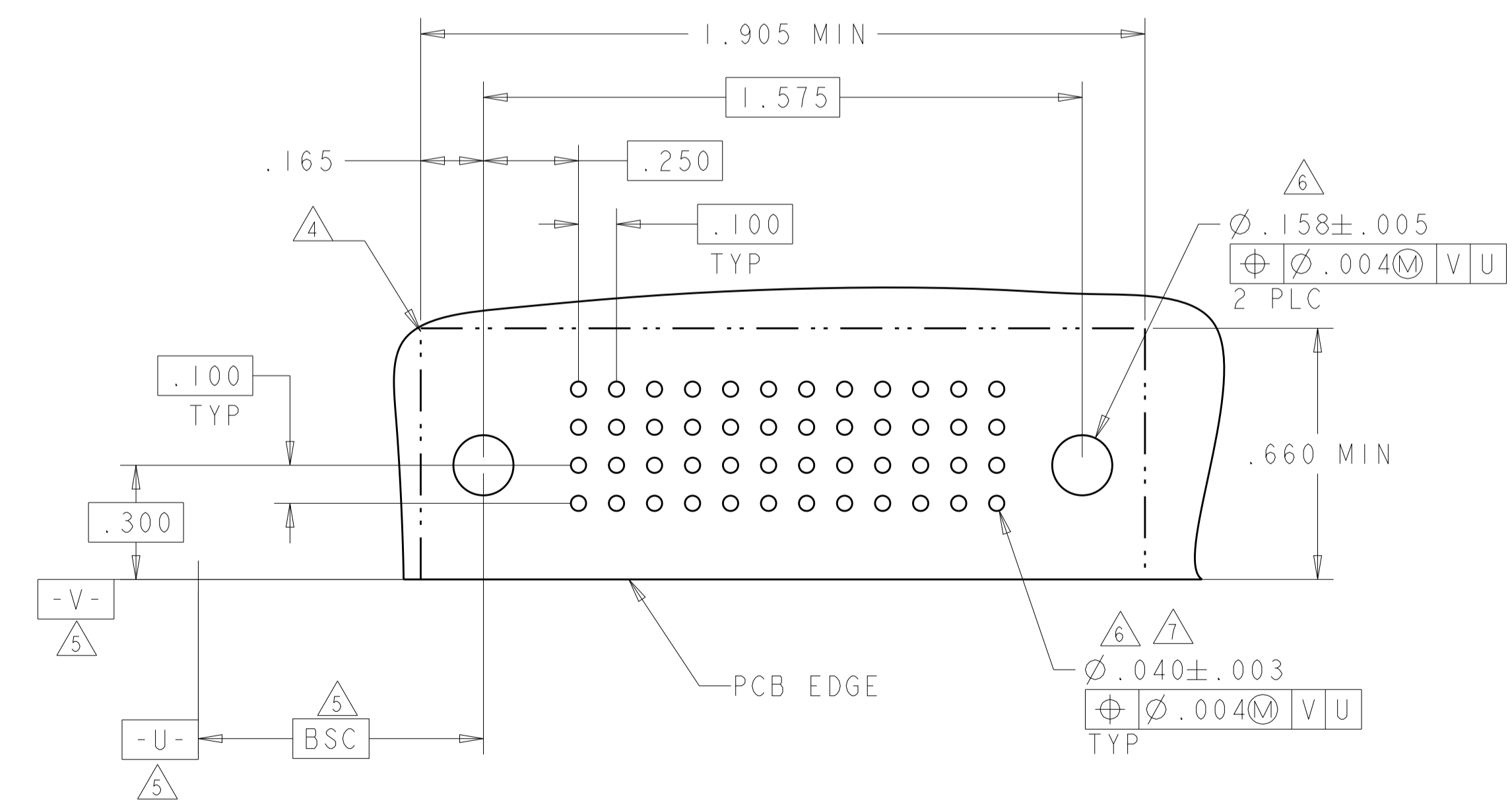
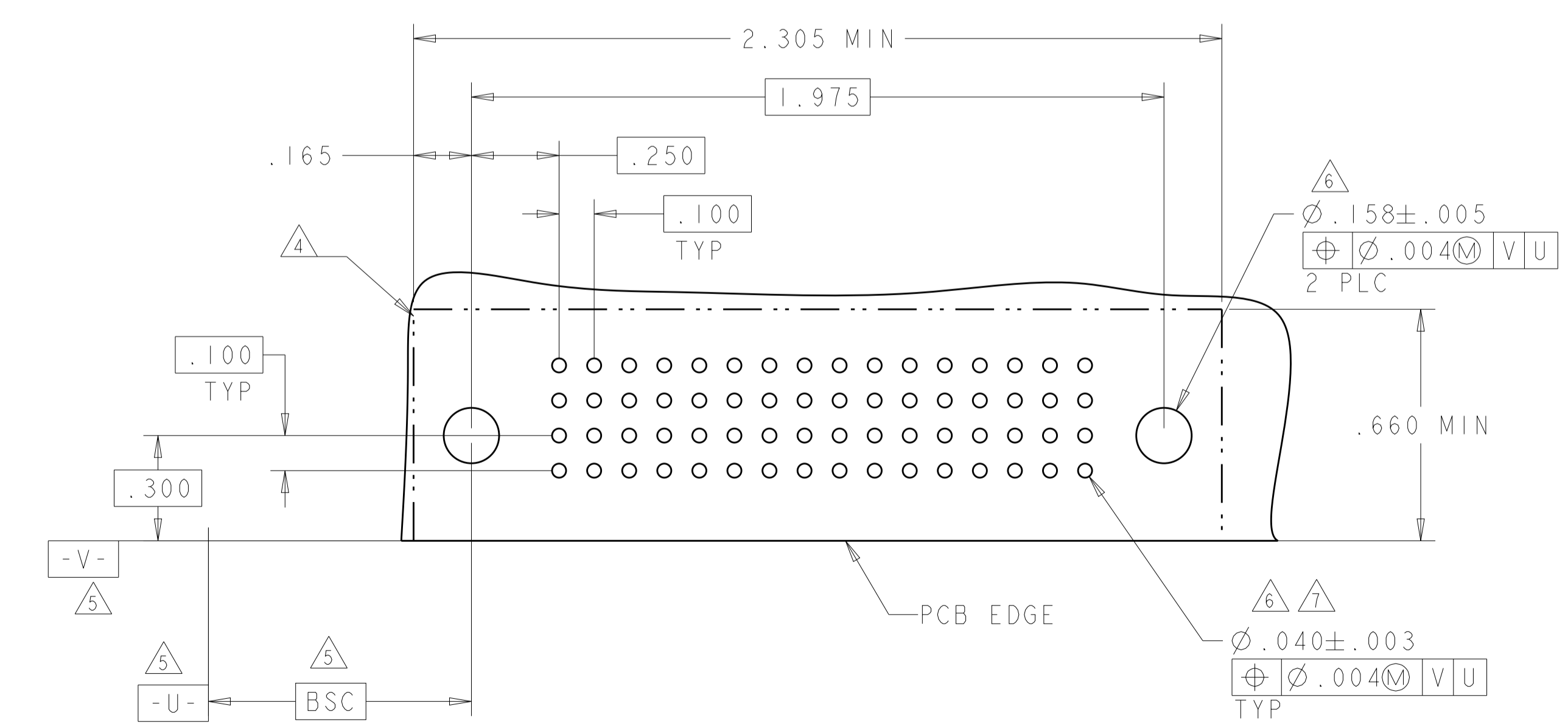
| LOC | DIST | REVISIONS | | | |
|-----|------|-------------|------|-----|------|
| P | LTN | DESCRIPTION | DATE | DMN | APVD |
| ES | 00 | SEE SHEET 1 | | | |

| PART NUMBER | ROWS | POWER | | | | | | | | | SIGNAL | | | | | | POWER | | | | | | | | | | |
|-----------------|------------------|-------|----|----|----|----|----|----|----|----|--------|----|----|----|----|----|-------|-----|-----|-----|-----|-----|-----|-----|-----|-----|-----|
| | | P1 | P2 | P3 | P4 | P5 | P6 | P7 | P8 | P9 | P10 | 1 | 2 | 3 | 4 | 5 | 6 | P11 | P12 | P13 | P14 | P15 | P16 | P17 | P18 | P19 | P20 |
| I-6450520-2 | D C B A | PT | PT | PT | PT | PT | PT | PT | PT | PT | PT | Z5 | Z5 | Z5 | Z5 | Z5 | Z5 | PT | PT | PT | PT | PT | PT | PT | PT | PT | PT |
| | | Y5 | Y5 | Y5 | Y5 | Y5 | Y5 | Y5 | Y5 | Y5 | Y5 | R5 | R5 | R5 | R5 | R5 | R5 | | | | | | | | | | |
| | | R5 | R5 | R5 | R5 | R5 | R5 | R5 | R5 | R5 | R5 | O5 | O5 | O5 | O5 | O5 | O5 | | | | | | | | | | |
| 10P + 24S + 10P | | | | | | | | | | | | | | | | | | | | | | | | | | | |



| PART NUMBER | ROWS | SIGNAL | | | | | | | | | | | | | | | |
|-------------|------------------|--------|----|----|----|----|----|----|----|----|----|----|----|----|----|----|----|
| | | 1 | 2 | 3 | 4 | 5 | 6 | 7 | 8 | 9 | 10 | 11 | 12 | 13 | 14 | 15 | 16 |
| I-6450520-3 | D C B A | Z5 | Z5 | Z5 | Z5 | Z5 | Z5 | Z5 | Z5 | Z5 | Z5 | Z5 | Z5 | Z5 | Z5 | Z5 | Z5 |
| | | Y5 | Y5 | Y5 | Y5 | Y5 | Y5 | Y5 | Y5 | Y5 | Y5 | Y5 | Y5 | Y5 | Y5 | Y5 | Y5 |
| | | R5 | R5 | R5 | R5 | R5 | R5 | R5 | R5 | R5 | R5 | R5 | R5 | R5 | R5 | R5 | R5 |
| 64S | | | | | | | | | | | | | | | | | |

| PART NUMBER | ROWS | SIGNAL | | | | | | | | | | | |
|-------------|------------------|--------|----|----|----|----|----|----|----|----|----|----|----|
| | | 1 | 2 | 3 | 4 | 5 | 6 | 7 | 8 | 9 | 10 | 11 | 12 |
| I-6450520-4 | D C B A | Z5 | Z5 | Z5 | Z5 | Z5 | Z5 | Z5 | Z5 | Z5 | Z5 | Z5 | Z5 |
| | | Y5 | Y5 | Y5 | Y5 | Y5 | Y5 | Y5 | Y5 | Y5 | Y5 | Y5 | Y5 |
| | | R5 | R5 | R5 | R5 | R5 | R5 | R5 | R5 | R5 | R5 | R5 | R5 |
| 48S | | | | | | | | | | | | | |



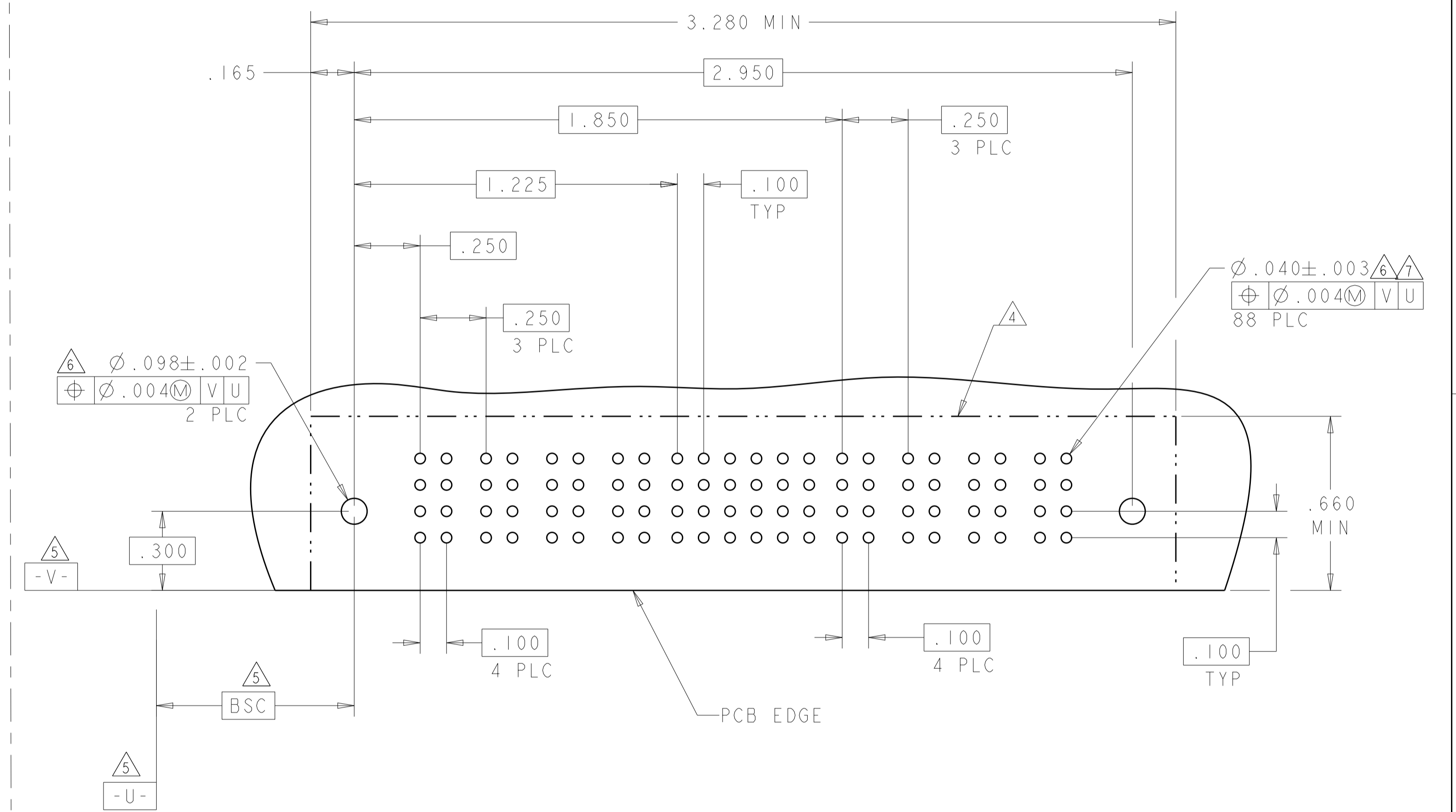
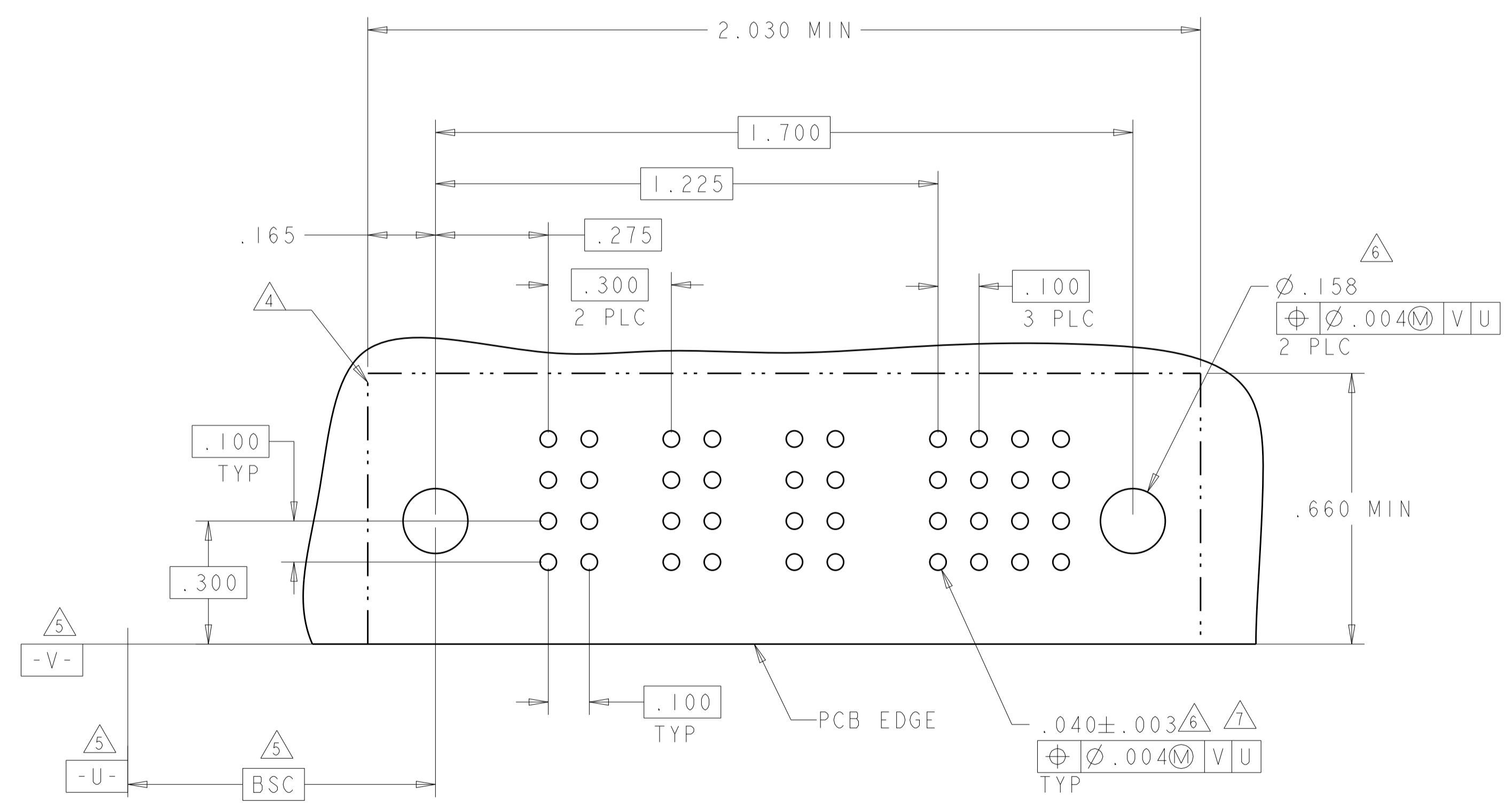
THIS DRAWING IS A CONTROLLED DOCUMENT.

| | | | |
|--------------------|--|------------------|--|
| DMN: T. ZHANG | 17MAY2006 | | TE Connectivity RIGHT ANGLE HEADER ASSEMBLY W/ GUIDE, PRESS FIT MULTI-BEAM XL |
| CHK: G. ZHANG | 17MAY2006 | | |
| APPV: S. ZHAO | 17MAY2006 | | |
| NAME: S. ZHAO | 17MAY2006 | | |
| DIMENSIONS: INCHES | TOLERANCES UNLESS OTHERWISE SPECIFIED: | PRODUCT SPEC | 108-1973 |
| 0 PLC ±.01 | 1 PLC ±.01 | APPLICATION SPEC | 114-13038 |
| 2 PLC ±.005 | 3 PLC ±.005 | SIZE | CAGE CODE DRAWING NO |
| 4 PLC ±.0020 | ANGLES ±.0020 | WEIGHT | A100779C=6450520 |
| MATERIAL | FINISH | CUSTOMER DRAWING | SCALE 4:1 SHEET 5 OF 7 REV E6 |

| LOC | DIST | REVISIONS | | | |
|-----|------|-----------|-------------|----|------|
| ES | 00 | REV | DATE | BY | APPV |
| | | - | SEE SHEET 1 | - | - |

| PART NUMBER | ROWS | POWER | | | SIGNAL | | | | | | |
|-------------|------------------|-------|----|----|--------|----|----|----|----|----|----|
| | | P1 | P2 | P3 | 1 | 2 | 3 | 4 | | | |
| | | PT | PT | PT | Z5 | Z5 | Z5 | Z5 | Y5 | Y5 | Y5 |
| 1-6450520-5 | D C B A | | | | R5 | R5 | R5 | R5 | R5 | R5 | R5 |
| 3ACP + 16S | | | | | O5 | O5 | O5 | O5 | O5 | O5 | O5 |

| PART NUMBER | ROWS | POWER | | | | SIGNAL | | | | | | POWER | | | |
|---------------|------------------|-------|----|----|----|--------|----|----|----|----|----|-------|----|----|----|
| | | P1 | P2 | P3 | P4 | 1 | 2 | 3 | 4 | 5 | 6 | P5 | P6 | P7 | P8 |
| | | PT | PT | PT | PT | Z5 | Z5 | Z5 | Z5 | Z5 | Z5 | Z5 | PT | PT | PT |
| 1-6450520-6 | D C B A | | | | | Y5 | Y5 | Y5 | Y5 | Y5 | Y5 | | | | |
| 4P + 24S + 4P | | | | | | R5 | R5 | R5 | R5 | R5 | R5 | | | | |
| | | | | | | O5 | O5 | O5 | O5 | O5 | O5 | | | | |

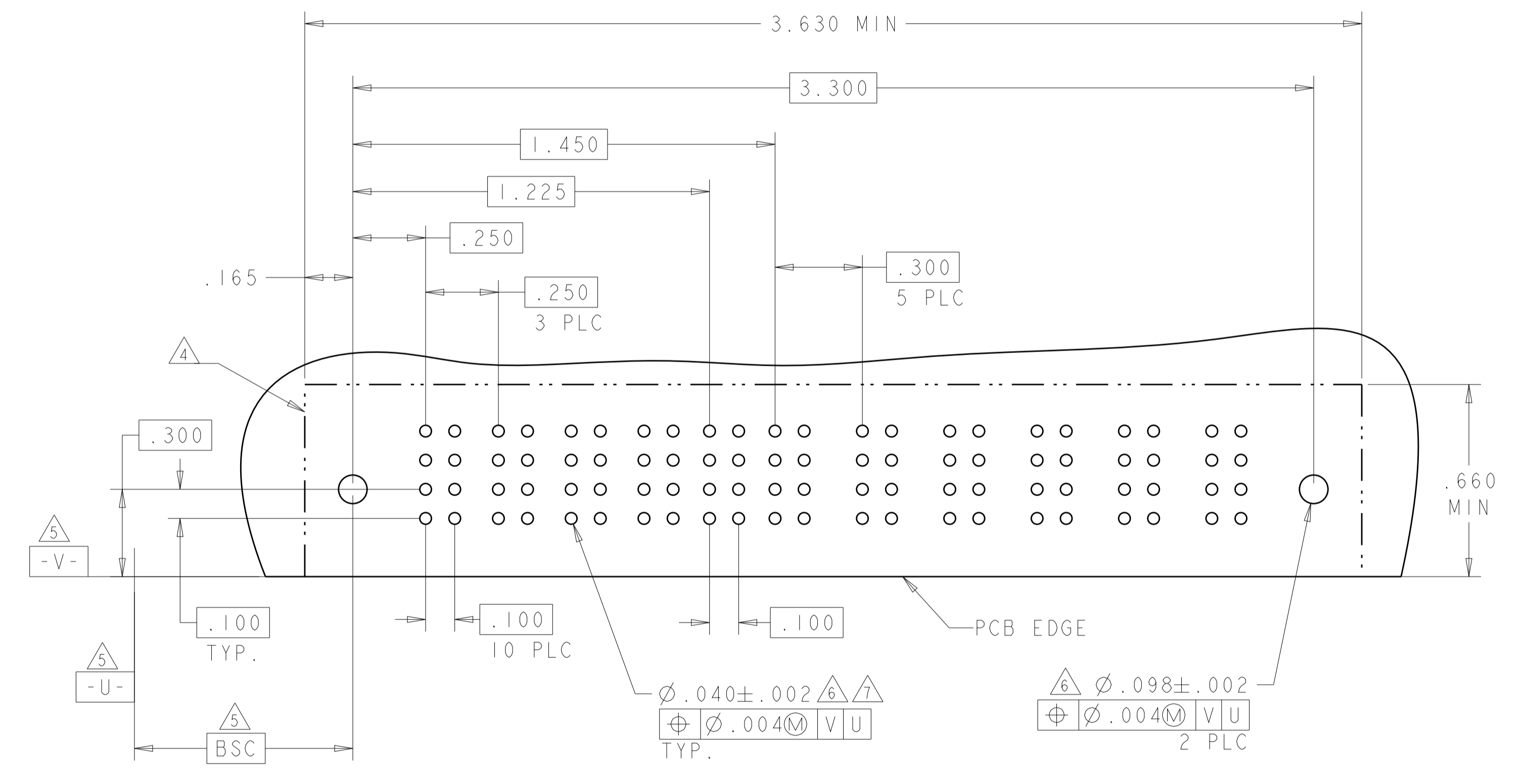
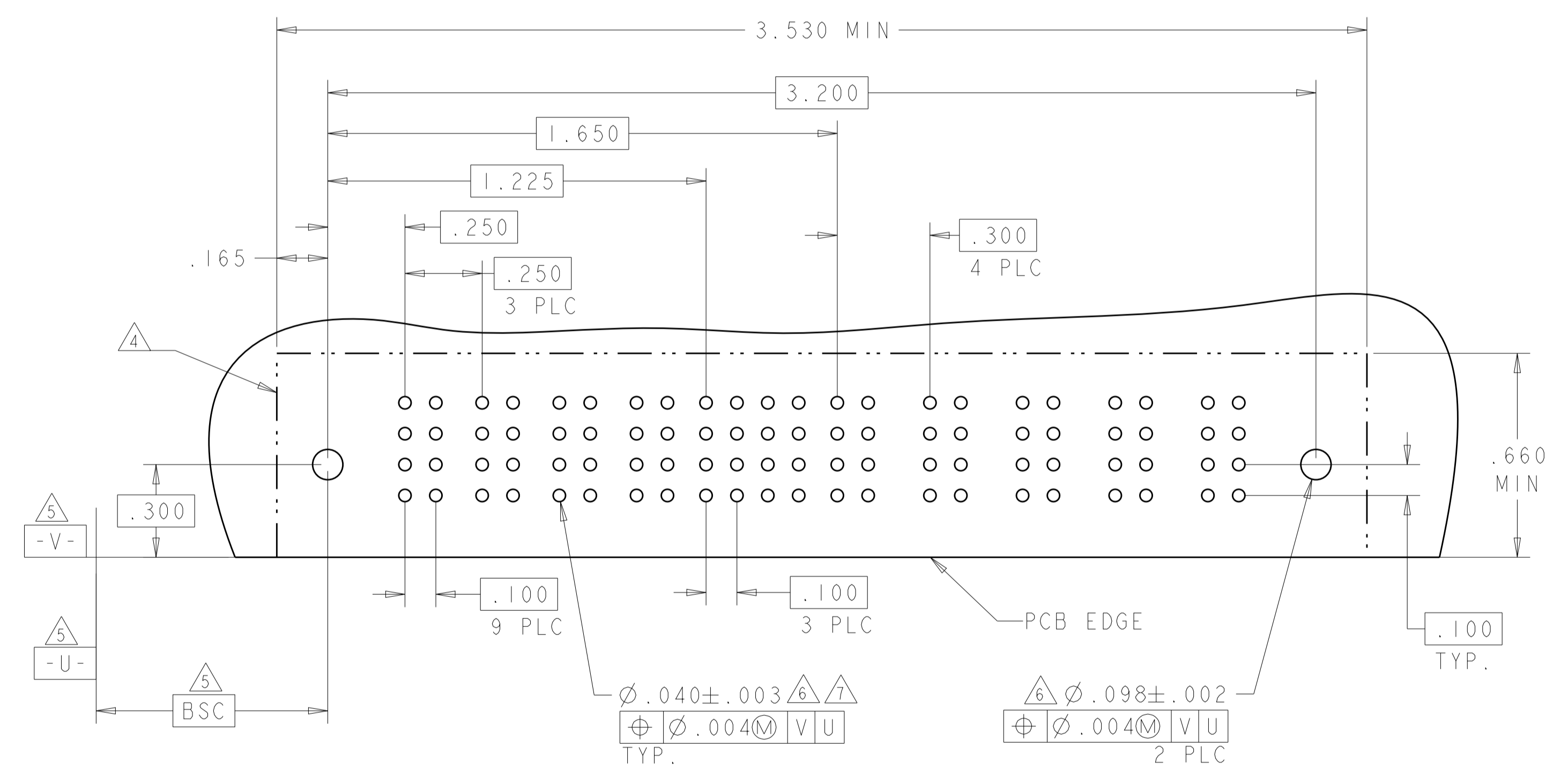


| | | | | | |
|--|--------|------------------|----------|-----------|-----------------------------|
| THIS DRAWING IS A CONTROLLED DOCUMENT. | | OWN | T. ZHANG | 17MAY2006 | TE Connectivity |
| DIMENSIONS: INCHES | | CHK | G. ZHANG | 17MAY2006 | |
| TOLERANCES UNLESS OTHERWISE SPECIFIED: | | APVD | S. ZHAO | 17MAY2006 | NAME |
| 0 PLC | ± | PRODUCT SPEC | | | RIGHT ANGLE HEADER ASSEMBLY |
| 1 PLC | ±.01 | APPLICATION SPEC | | | W/ GUIDE, PRESS FIT |
| 2 PLC | ±.05 | MATERIAL | | | MULTI-BEAM XL |
| 3 PLC | ±.0020 | WEIGHT | | | SIZE |
| 4 PLC | ±.0020 | FINISH | | | CAGE CODE |
| ANGLES | ±.0020 | CUSTOMER DRAWING | | | DRAWING NO |
| | | SCALE | | | RESTRICTED TO |
| | | SHEET | | | REV |

| LOC | DIST | REV | DATE | BY | APPV |
|-------------|------|-----|------|----|------|
| ES | 00 | | | | |
| REVISIONS | | | | | |
| DESCRIPTION | | | DATE | BY | APPV |
| SEE SHEET 1 | | | | | |

| PART NUMBER | ROWS | POWER | | | | SIGNAL | | | | POWER | | | | |
|-------------------|------------------|-------|----|----|----|--------|----|---|---|-------|----|----|----|----|
| | | P1 | P2 | P3 | P4 | 1 | 2 | 3 | 4 | P5 | P6 | P7 | P8 | P9 |
| E6 1-6450520-7 | D C B A | PT | PT | PT | PT | Z5 | Z5 | | | PT | PT | PT | PT | PT |
| | | | | | | Y5 | Y5 | | | | | | | |
| | | | | | | R5 | R5 | | | | | | | |
| | | | | | | O5 | O5 | | | | | | | |
| 4P + 16S + 5P | | | | | | | | | | | | | | |

| PART NUMBER | ROWS | POWER | | | | SIGNAL | | POWER | | | | | |
|-------------------|------------------|-------|----|----|----|--------|----|-------|----|----|----|----|-----|
| | | P1 | P2 | P3 | P4 | 1 | 2 | P5 | P6 | P7 | P8 | P9 | P10 |
| E6 1-6450520-8 | D C B A | PT | PT | PT | PT | Z5 | Z5 | PT | PT | PT | PT | PT | PT |
| | | | | | | Y5 | Y5 | | | | | | |
| | | | | | | R5 | R5 | | | | | | |
| | | | | | | O5 | O5 | | | | | | |
| 4P + 8S + 6P | | | | | | | | | | | | | |



| | | | | | | | | | | | | | | | | |
|--|--------|------------------|-----------|---|------|-------|-------|-------|-------|-------|-------|--------|--------|--------------------------|-------------------------------|---------------|
| THIS DRAWING IS A CONTROLLED DOCUMENT. | | OWN T. ZHANG | 17MAY2006 | TE Connectivity | | | | | | | | | | | | |
| DIMENSIONS: INCHES | | CHK G. ZHANG | 17MAY2006 | | | | | | | | | | | | | |
| TOLERANCES UNLESS OTHERWISE SPECIFIED: | | APVD S. ZHAO | 17MAY2006 | NAME RIGHT ANGLE HEADER ASSEMBLY W/ GUIDE, PRESS FIT MULTI-BEAM XL | | | | | | | | | | | | |
| <table border="1"> <tr> <td>0 PLC</td> <td>±</td> </tr> <tr> <td>1 PLC</td> <td>±.01</td> </tr> <tr> <td>2 PLC</td> <td>±.005</td> </tr> <tr> <td>3 PLC</td> <td>±.002</td> </tr> <tr> <td>4 PLC</td> <td>±.002</td> </tr> <tr> <td>ANGLES</td> <td>±.0020</td> </tr> </table> | | 0 PLC | ± | 1 PLC | ±.01 | 2 PLC | ±.005 | 3 PLC | ±.002 | 4 PLC | ±.002 | ANGLES | ±.0020 | PRODUCT SPEC 108-1973 | APPLICATION SPEC 114-13038 | RESTRICTED TO |
| 0 PLC | ± | | | | | | | | | | | | | | | |
| 1 PLC | ±.01 | | | | | | | | | | | | | | | |
| 2 PLC | ±.005 | | | | | | | | | | | | | | | |
| 3 PLC | ±.002 | | | | | | | | | | | | | | | |
| 4 PLC | ±.002 | | | | | | | | | | | | | | | |
| ANGLES | ±.0020 | | | | | | | | | | | | | | | |
| MATERIAL | | WEIGHT | SCALE | SIZE A100779C=6450520 | | | | | | | | | | | | |
| FINISH | | CUSTOMER DRAWING | SCALE 4:1 | SHEET 7 OF 7 | | | | | | | | | | | | |
| | | | | REV E6 | | | | | | | | | | | | |