
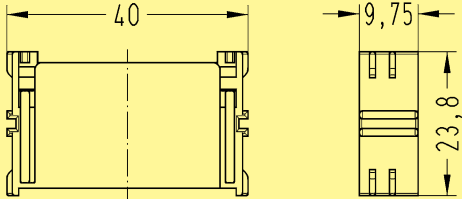
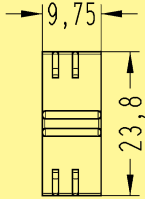
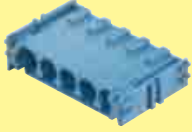
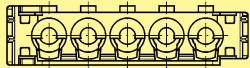
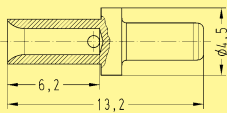




Number of contacts

5

Identification	Part number	Drawing	Dimensions in mm
Han-Yellock® module			
	11 05 105 3001		
		11 05 105 3011	

Identification	Wire gauge (mm ²)	Part number	Drawing	Dimensions in mm																																				
Han-Yellock® crimp contacts Male contact Han-Yellock® TC20	0.14-0.37 0.5 0.75 1 1.5 2.5 3 4	11 05 000 6101 11 05 000 6102 11 05 000 6103 11 05 000 6104 11 05 000 6105 11 05 000 6106 11 05 000 6107 11 05 000 6108 11 05 000 6121 11 05 000 6122 11 05 000 6123 11 05 000 6124 11 05 000 6125 11 05 000 6126 11 05 000 6127 11 05 000 6128		<table border="1"> <thead> <tr> <th colspan="2">Wire gauge</th> <th colspan="2">Stripping length</th> </tr> </thead> <tbody> <tr> <td>0.14-0.37</td> <td>mm²</td> <td>AWG 26-22</td> <td>6.5 mm</td> </tr> <tr> <td>0.5</td> <td>mm²</td> <td>AWG 20</td> <td>6.5 mm</td> </tr> <tr> <td>0.75</td> <td>mm²</td> <td>AWG 18</td> <td>6.5 mm</td> </tr> <tr> <td>1</td> <td>mm²</td> <td>AWG 18</td> <td>6.5 mm</td> </tr> <tr> <td>1.5</td> <td>mm²</td> <td>AWG 16</td> <td>6.5 mm</td> </tr> <tr> <td>2.5</td> <td>mm²</td> <td>AWG 14</td> <td>6.5 mm</td> </tr> <tr> <td>3</td> <td>mm²</td> <td>AWG 12</td> <td>6.5 mm</td> </tr> <tr> <td>4</td> <td>mm²</td> <td>AWG 12</td> <td>6.5 mm</td> </tr> </tbody> </table>	Wire gauge		Stripping length		0.14-0.37	mm ²	AWG 26-22	6.5 mm	0.5	mm ²	AWG 20	6.5 mm	0.75	mm ²	AWG 18	6.5 mm	1	mm ²	AWG 18	6.5 mm	1.5	mm ²	AWG 16	6.5 mm	2.5	mm ²	AWG 14	6.5 mm	3	mm ²	AWG 12	6.5 mm	4	mm ²	AWG 12	6.5 mm
					Wire gauge		Stripping length																																	
					0.14-0.37	mm ²	AWG 26-22	6.5 mm																																
					0.5	mm ²	AWG 20	6.5 mm																																
					0.75	mm ²	AWG 18	6.5 mm																																
					1	mm ²	AWG 18	6.5 mm																																
					1.5	mm ²	AWG 16	6.5 mm																																
					2.5	mm ²	AWG 14	6.5 mm																																
					3	mm ²	AWG 12	6.5 mm																																
					4	mm ²	AWG 12	6.5 mm																																
					silver plated																																			
																																								
					gold plated																																			
																																								

Removal tool for crimp contacts	09 99 000 0319	
---------------------------------	----------------	--

Stock items in bold type