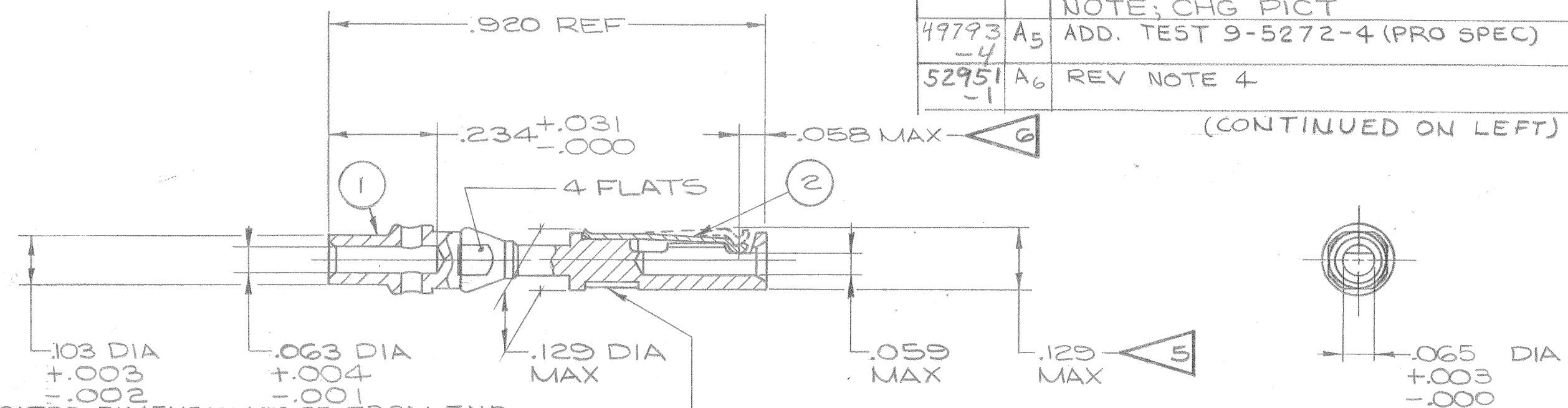


CHG NO.	LTR	DESCRIPTION	DATE	APPR'D
57076 -22	B	(MFG); WAS GOLD PLATE 9-4804 (PROCESS SPEC), 4760 SQ IN. (NOTE 1); REM NOTE 2	10.20.75 Randall	Hayes
76468 -1	C	(CL II) WAS 4.25 OZ. (3.00 OZ, NOTE 4)	9.25.85 Prescott	B. J. Gardner
21127-1	D	(CL II) REM NOTE 4	11.1.88 McElligott	Prescott

REL NO. 35508-153		REVISIONS			
CHG NO.	SYM	DESCRIPTION	DATE	APPROVED	
42531 -41	A1	(MFG); REDRAWN SAME SIZE	1-3-64 Cheeseman	Flaud	
42075 -4	A2	REM 9-3013 (PRO SPEC)	4-29-64 Lambrecht	Hayes	
44931 -6	A3	WAS .0642 +.0024 -.0000	7-13-65 Randall	Hayes	
46740 -6	A4	WAS 3/1 (NOTE 4), 2 OR 4 FLATS PERMISSIBLE; REV LOCAL FORM NOTE; CHG PICT	8/5/66 MESZAROS	Hayes	
49793 -4	A5	ADD. TEST 9-5272-4 (PRO SPEC)	12-11-68 Randall	Hayes	
52951 -1	A6	REV NOTE 4	11.30.71 Randall	Hayes	



(CONTINUED ON LEFT)

- 6. INDICATED DIMENSION TO BE FROM END OF SOCKET TO POINT OF ENGAGEMENT OF SPRING AND A .0625 ±.0002 DIA SQUARE-END PIN.
- 5. INDICATED DIMENSION TO BE OVER END OF SPRING WHEN .0635 +.0002 -.0000 DIA PIN IS ENGAGED WITH SOCKET.

FORM SPRING SNUGLY AROUND SOCKET AFTER PLATING

USE OF THIS DOCUMENT IS UNLIMITED. DOCUMENTS REFERENCED HEREON CONTAIN LIMITED RIGHTS DATA.

DRAWING CONTROLLED BY ELECTRICAL CONNECTOR DESIGN GROUP

- 3. ALL DIMENSIONS ARE AFTER PLATING.
 - 2.
 - 1. MEAN SURFACE AREA OF CONTACT .5164 SQ IN.
- NOTES: REF SYMBOL

ITEM NO.	QTY REQD	DESCRIPTION	PART NUMBER	CODE IDENT	ZONE
2	1	SPRING	10-117914		
1	1	CONTACT, SOCKET	10-189006-16B		

& OTHERS
72-191000/24
NEXT ASSEMBLY

UNLESS OTHERWISE SPECIFIED		DRAWN: MAKOWSKI	DATE: 11-7-58
LINEAR DIMENSIONS ARE IN INCHES. TOLERANCES: 3 PLACES ±.010; 2 PLACES ±.03; 1 PLACE ±.1; ANGLES ±2°. OTHER STANDARDS PER SCINTILLA SPEC 9-3800 AND MIL-STD 8.		CHECKED: <i>[Signature]</i>	DATE: 1-16-69
MATERIAL SPEC	PROCESS SPEC TEST 9-5272-4	MATERIAL: <i>[Signature]</i>	STANDARDS: <i>[Signature]</i> 1-16-64
	GOLD PLATE 9-6800-2 SEE NOTE 1	DRAFTING: <i>[Signature]</i>	ENGINEERING: <i>[Signature]</i> 1/16/69
		DEVELOPMENT: <i>[Signature]</i> 11/6/69	

THE **Bendix** CORPORATION
SCINTILLA DIVISION
SIDNEY, NEW YORK, U.S.A.

TITLE: CONTACT, SOCKET, ELECTRICAL CONNECTOR, SIZE 16 CE, GOLD PLATED, .000050, ASSY OF

CODE IDENT NO.	SIZE	REF	SHEET
77820	B	10-117921-162	

SCALE 4/1 WT

Mouser Electronics

Authorized Distributor

Click to View Pricing, Inventory, Delivery & Lifecycle Information:

[Amphenol:](#)

[10-189006-16F](#)