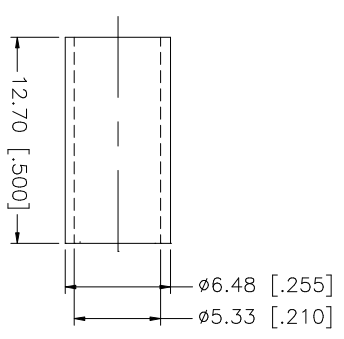
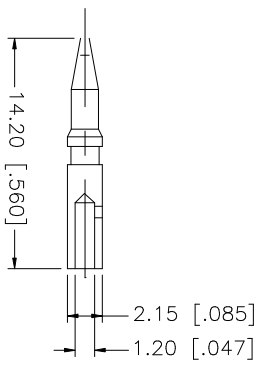
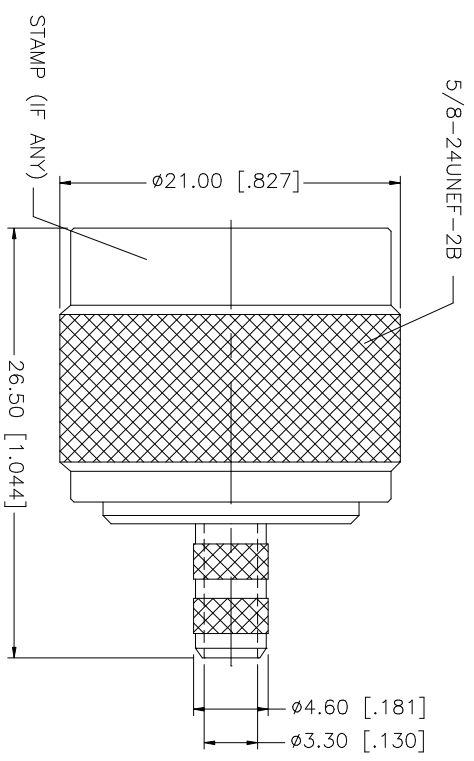
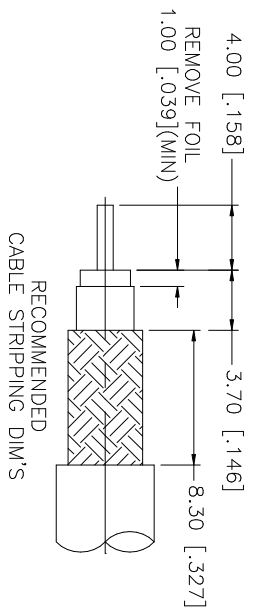


REV.	DATE	DESCRIPTION
A	04/31/03	UPDATE DRAWING FORMAT
B	02/24/04	MODIFY DESCRIPTION



NOTES:

1. CRIMPED FERRULE
HEX CRIMP SIZE .213"
2. CRIMPED CONTACT PIN
HEX CRIMP SIZE .068"

QTY	FINISH	MATERIAL	DESCRIPTION
1	NEXCOTE	COPPER	FERRULE
1	NATURAL	BRASS	CONTACT PIN
1	NEXCOTE	BRASS	INSULATOR BODY

APPROVALS	DATE	PART DESCRIPTION
G.R.S.	02/24/04	N CRIMP PLUG (LMR200 CABLE)
CHECKED		
ISSUED		
SHEET	1 OF 1	

UNLESS OTHERWISE SPECIFIED DIMENSIONS ARE IN MILLIMETERS. DIMENSIONS IN [] ARE IN INCHES AND FOR CUSTOMER REFERENCE ONLY.	CAD FILE	DWG. NO.	REV.	SIZE	SCALE
UNLESS OTHERWISE SPECIFIED TOLERANCES FOR MILLIMETERS ARE: 0.5 - 8mm ± 0.20mm 8 - 30mm ± 0.40mm 30 - 120mm ± 0.50mm	C:/172/172214.DWG	172214.DWG	B	A	NA
UNLESS OTHERWISE SPECIFIED TOLERANCES FOR INCHES ARE: .020 - .315 = ± 0.007" .315 - 1.180 = ± 0.015" 1.180 - 4.724 = ± 0.020"					
DO NOT SCALE DRAWING					

